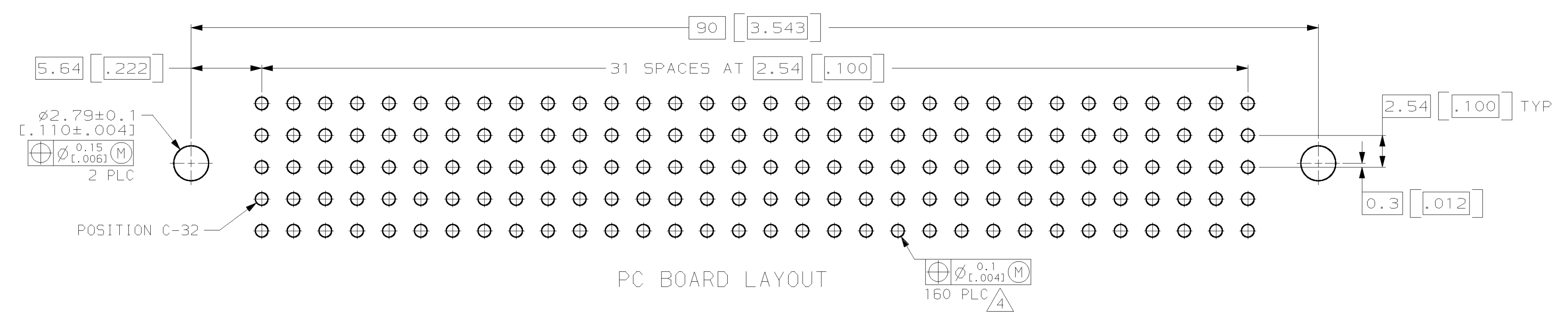
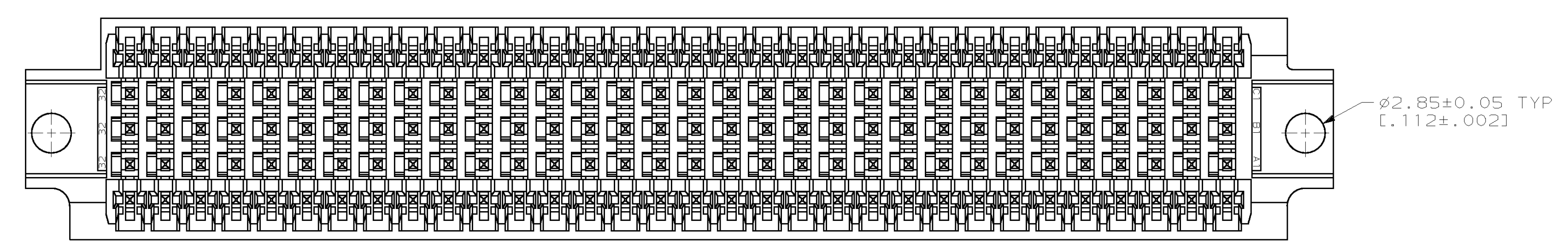
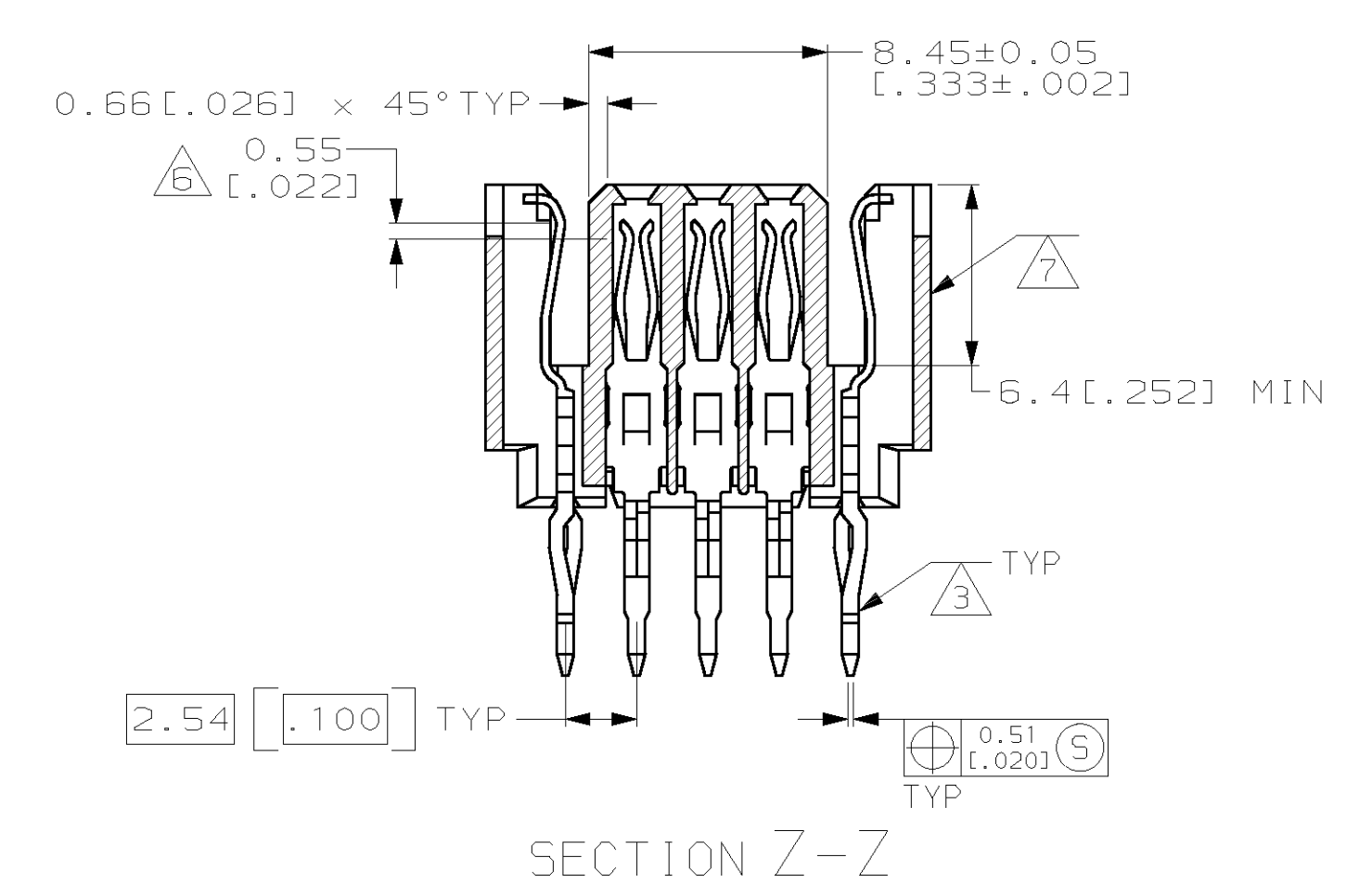
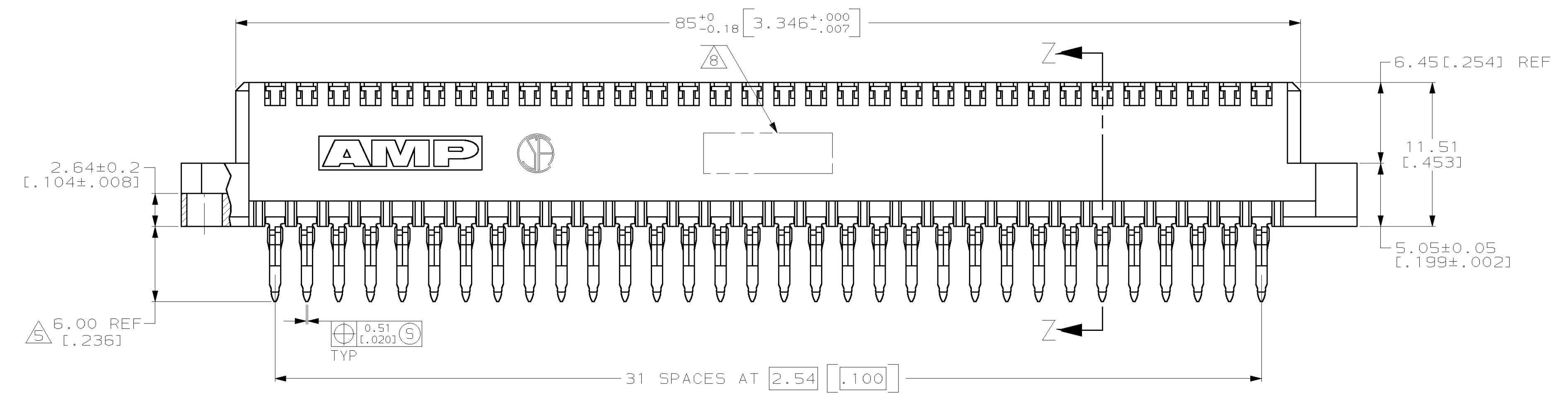
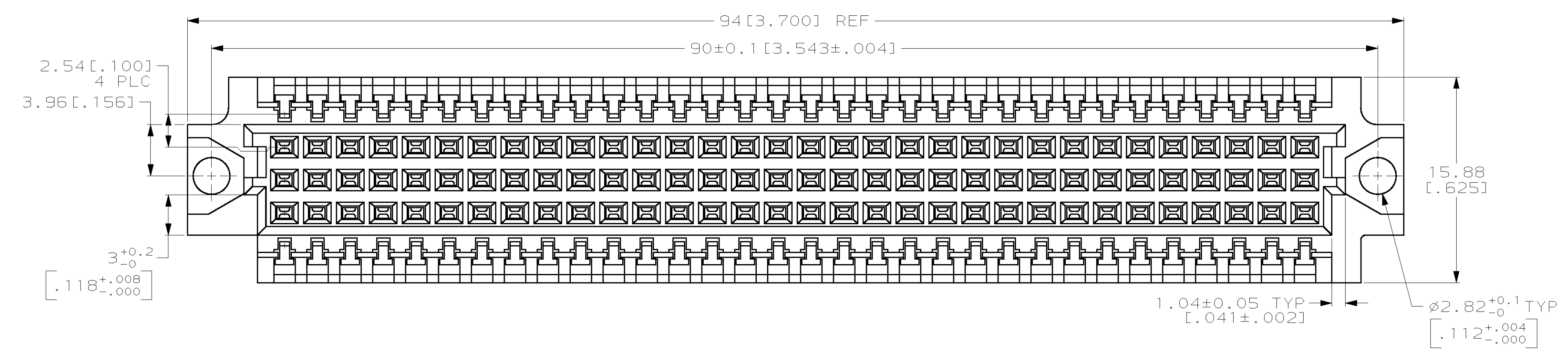


- ① HOUSING MATERIAL: GLASS-FILLED POLYESTER. COLOR: GRAY.
- ② CONTACT MATERIAL: PHOSPHOR BRONZE.
- ③ CONTACT FINISH: DIN 41612 CLASS 2 IN CONTACT AREA TIN-LEAD ON TAILS.
- ④ ACTION PIN POSTS REQUIRE 1.57[.062] MINIMUM THICK PC BOARD. RECOMMENDED PC BOARD DRILLED HOLES ARE  $\phi 1.15 \pm 0.025$  [.0453 ± .0010] WITH 0.02-0.08 [.001-.003] COPPER AND 0.008 [.0003] MINIMUM TIN-LEAD PLATING. FINISHED HOLE AFTER PLATING IS  $\phi 1.02 \pm 0.08$  [.040 ± .002].
- ⑤ TAIL LENGTH AFTER SEATED IN PC BOARD.
- ⑥ CONTACT POINT AFTER SEATED IN PC BOARD.
- ⑦ HOT-STAMPING ON THIS SIDE.
- ⑧ PART NUMBER AND DATE CODE HOT-STAMPED IN THIS APPROXIMATE AREA.



148452-5  
PART NUMBER

THIS DRAWING IS A CONTROLLED DOCUMENT.		Dwn	T. SHUEY	1-15-98
DIMENSIONS:		CHK	-	-
TOLERANCES UNLESS OTHERWISE SPECIFIED:		APVD	-	-
mm	0 PLC ±	NAME	AMP Incorporated	
	1 PLC ±	PRODUCT SPEC	Harrisburg, PA 17105-3608	
	2 PLC ±0.13 (.005)	APPLICATION SPEC	RCPT ASSY, ENHANCED EUROCARD, VME 64, 160 POSITION	
	3 PLC ±	SIZE	A1	00779
	4 PLC ±	CAGE CODE	C-148452	148452
	ANGLES	DRAWING NO	148452	
MATERIAL	FINISH	WEIGHT	RESTRICTED TO	
HOUSING: ①	-	-	SCALE 4:1 SHEET 1 OF 1 REV B	
CONTACT: ②	-	-	CUSTOMER DRAWING	