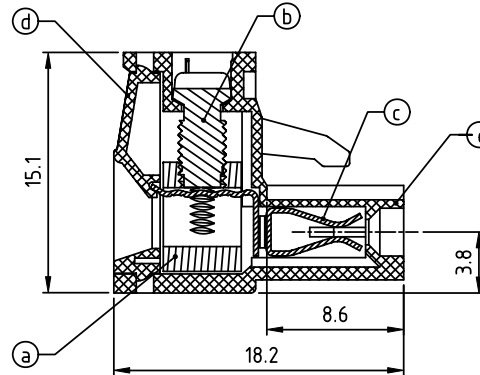
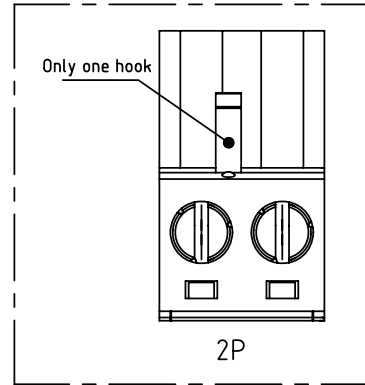
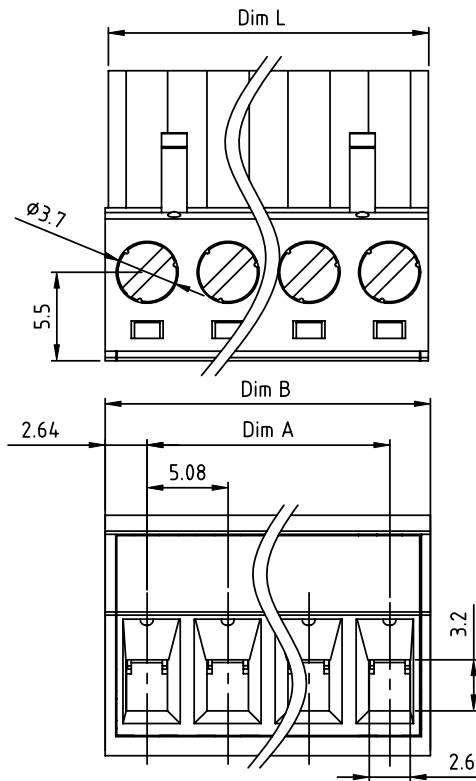


PRODUCT NUMBER	PITCH
TJxx51x300J0G	5.08 mm



Material

- Item ① Clamp: Brass(CuZn) Ni plated
- Item ② Terminal screw: Steel Zinc plating "-" slot type
- Item ③ Female contact: High conductivity copper, Tin plated
- Item ④ Terminal Cover: Thermoplastic (UL94V-0)
- Item ⑤ Terminal housing: Thermoplastic (UL94V-0)

Electrical cULus/VDE/TUV

- Voltage rating: 300VAC/300VAC/300VAC
- Current rating: 20A/20A/20A
- Wire range: 2.5mm²/0.34-2.5mm²
- Solid wire(AWG): 12-24
- Stranded wire(AWG): 12-24
- Torque: 5Lb-In/0.5Nm/0.56Nm
- Screw: M3
- Wire strip length: 7-8mm
- Withstanding Voltage: 1.6KV/2.5KV/2.5KV
- Operating temperature: -40°C to +115°C
- Safety Approval:

DIMENSION

Dim L	Nx5.08
Dim A	(N-1)x5.08
Dim B	Nx5.08+0.1

N=Number of contacts

Poles	Tolerance	
	DIM A	DIM L&DIM B
2p-6p	±0.15	±0.20
7p-12p	±0.20	±0.25
13p-18p	±0.25	±0.30
19p-24p	±0.30	±0.40

PART NO.: TJ xx 51 x 3 00J0 G

No. of poles	Color	RoHS compliant (lead<4% in copper Alloy)
02 2 poles	0 Black (RAL9005)	
03 3 poles	2 Red (RAL3001/D)	
...	3 Orange(RAL2011/P)	
...	4 Yellow(RAL1018/A)	
24 24 poles	5 Green(RAL6018/T)	
	6 Blue (RAL5015/A)	
	8 Grey(RAL7035/D)	
	9 White(RAL1102)	
	C Green(RAL6018/U)	

mat'l. code		surface ASME Y14.5	tolerance ASME Y14.5	projection	product family		
itr ecn no dr date		tolerances unless otherwise specified			TERMINAL BLOCK		
angles		X.±0.5	X.X±0.3	MM	title		
X°±1°		X.XX±0.1		scale	TERMINAL BLOCK PLUGGABLE, PLUG, SINGAL, W/O FLANGE DOWNSIDE CONTACT		
dr	HANKE FENG	032214			dwg no	sheet 1 of 1	size
enr	HANKE FENG	032214			TJxx51x300J0G	A4	
chr	SHI JUN	032214					
appd	SHI JUN	032214			type	CUSTOMER Drawing	
sheet index	revision sheet	A	1				