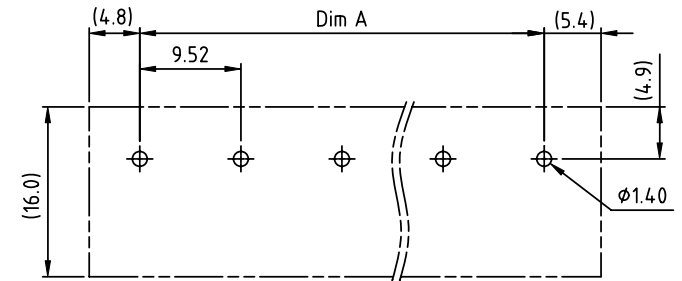
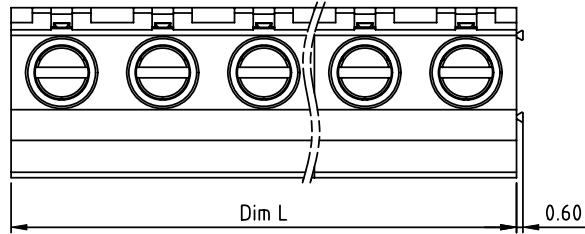
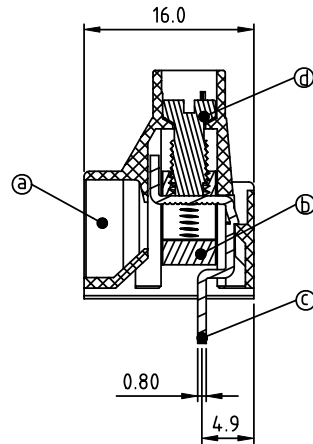
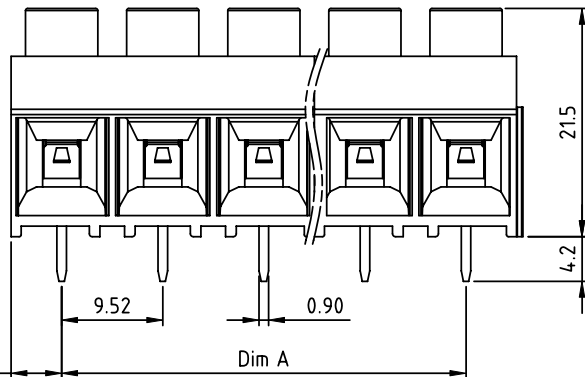


PRODUCT NUMBER	PITCH
K0xx21x000J0G	9.52 mm



RECOMMENDED P.C.B LAYOUT
TOP VIEW



Material:

- Item (a) Terminal housing : Thermoplastic (UL94 V-0)
- Item (b) Clamp : Brass, Ni plated
- Item (c) Solder pin : Copper , Tin plated
- Item (d) Terminal screw: Steel Zinc plating "--" slot type

Electrical: cULus

- Voltage rating: 300 V
- Current rating: 30 A
- Wire range:
- Solid wire(AWG): 10-24
- Stranded wire(AWG): 10-24
- Torque: 5.5 Lb-In
- Screw: M3.5
- Wire strip length: 7-8 mm
- Withstanding Voltage: 1.6 KV
- Operating temperature: -40°C to +115°C
- Soldering temperature: 260°C±5°C/5 Sec
- Safety Approval:

PART NO.: **KOxx21x000J0G**

DIMENSION

Dim L	N×9.52
Dim A	(N-1)×9.52

N=Number of poles

Poles	Tolerance
2p-6p	±0.15
7p-12p	±0.25
13p-16p	±0.35

End Stackable	0	Body Color	0 Black (RAL9005)	RoHS compliant	(lead<4%)
No. of poles	2		1 Red (RAL3001/D)	In copper Alloy	
02	2 poles		2 Orange(RAL2011/P)		
03	3 poles		3 Yellow(RAL1018/A)		
...	...		4 Green(RAL6018/T)		
16	16 poles		5 Blue (RAL5015/A)		
			6 Grey(RAL7035/D)		
			7 White(RAL1102)		
			8 Green(RAL6018/U)		

mat'l. code				surface ASME Y14.5	tolerance ASME Y14.5	projection 	product family TERMINAL BLOCK	
ltr	ecn no	dr	date	tolerances unless otherwise specified		MM	title TERMINAL BLOCK	
				angles	X.±0.5		RISING CLAMP,180D WIRE INLET,BACK SINGLE ROW	
				±	X.X±0.3	scale	dwg no K0xx21x000J0G	
				X*±1"	X.XX±0.1		sheet 1 of 1 size A4	
		dr	EVIN ZHONG	041414			type CUSTOMER Drawing	
		enrg	EVIN ZHONG	041414				
		chr	HANKE FENG	041414				
		appd	SHI JUN	041414				
sheet index	revision	A						
	sheet	1						