

# Panasonic

## Programmable Controller

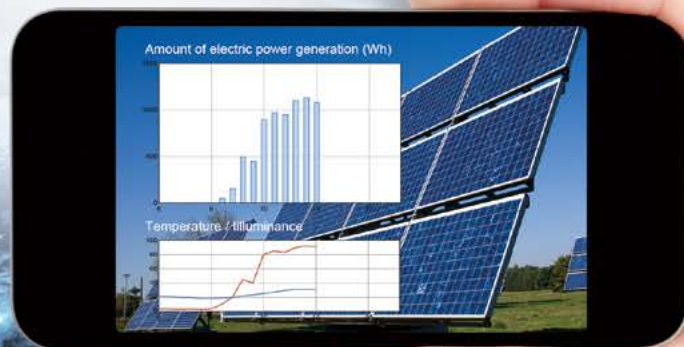
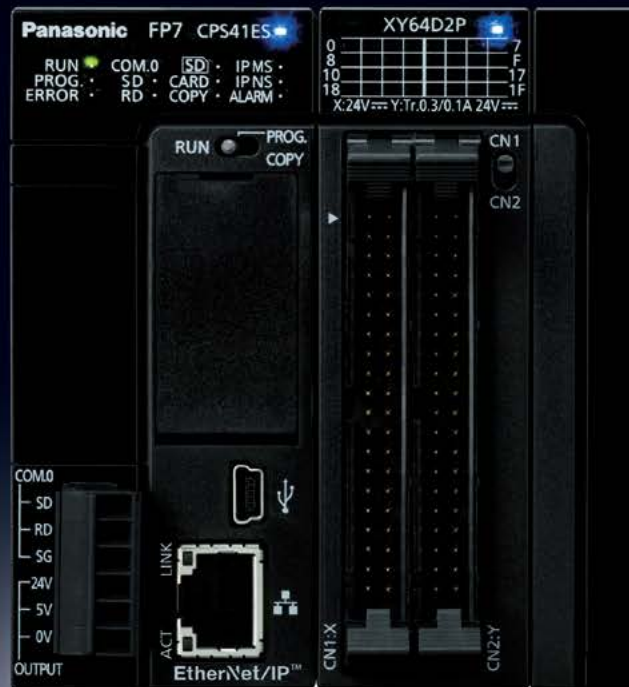
### FP7 SERIES

**CE**  
Conforming to  
EMC Directive  
(except AFPRP2□)

**UL**  
Listing  
(except some models)

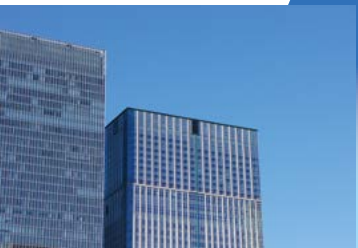
# Automation Controls + Information

Panasonic PLCs also control information

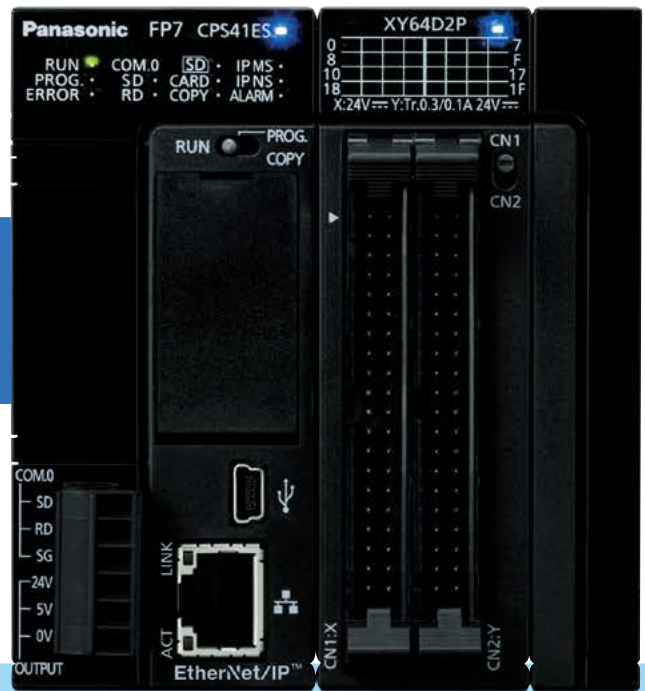


Do more than just control machinery.

# Automation Controls



Move  
Collect



Store



# + Information



## Single PLC with two roles

Enter an era in which you can see the “current state” of the remote site.



# Automation Controls



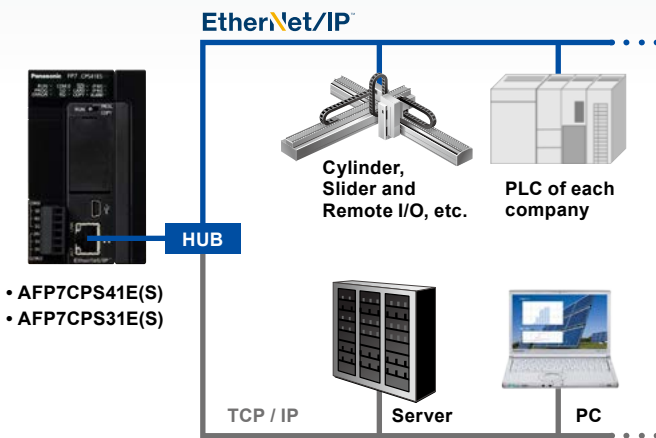
**Move** Control machinery and facilities  
 Along with operation speed and capacity,  
 delivers ease of use for design, production,  
 and maintenance.



## EtherNet/IP compatibility

Models with built-in Ethernet ports add functionality to CPU unit. Easy connection with all kinds of robots and PLCs enables control and communication.

\*EtherNet/IP is a trademark of ODVA, Inc.



## Cassette system reduces unit cost and footprint

With ease and at low cost, extend the serial communication and analog functionality of CPU units.

### Serial communication cassettes

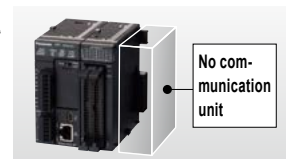
- RS232C
- RS422 / RS485
- 2 channels

### Function cassettes

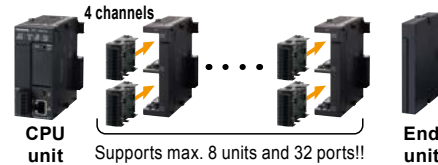
- Analog input
- Analog input and output
- Thermocouple input

### Ethernet communication cassette

\*Ethernet is a registered trademark of Fuji Xerox Co., Ltd. and Xerox Corporation.



Moreover, when used as a serial communication unit, expansion to as many as 35 channels is possible. Reduces cost and footprint.



## High cost performance model CPU unit

### Ideal for Simple Standalone Systems

Achieve high-performance extensibility, lower cost and slimmer form factor.

#### High cost performance model FP7 CPU unit AFP7CPS21

#### Saves space and reduces cost

Another FP7 advantage: add-on cassette system reduces unit cost and footprint.



- Function cassettes
- Analog input
  - Analog input and output
  - Thermocouple input

- Communication cassettes
- Serial
  - Ethernet

#### 16 intelligent units can be mounted

Low in cost, 16 intelligent units can be mounted.



## Analog input unit

### Analog sampling that doesn't depend on CPU

Sampling and data collection in the analog unit! Ideal for high-accuracy measurement applications because with the fixed cycle, analog signal can be held in the buffer

#### Dependent on scan of CPU

The scan gets delayed when the CPU slows down due to other processes and sampling becomes sporadic



#### Sampling in the analog unit

Accurate sampling possible with fixed cycle.



- Doesn't depend on CPU scanning
- Analog buffering
- High-speed conversion: 25  $\mu$ s/ch
- Overall accuracy:  $\pm 0.05$  % F.S. (at +25  $^{\circ}$ C +77  $^{\circ}$ F)



# + Information



## Collect

### Collect work site information

The FP7 can collect voltage, electric power, temperature, production output, alarm notifications, and other information.

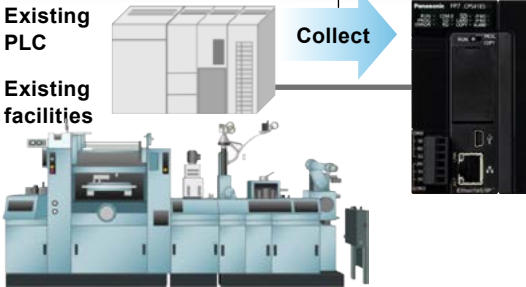


Equipped to deal with any protocol, it can be installed in existing facilities to enable collection of information.

#### Communication method

- EtherNet/IP
- MC protocol
- Modbus (RTU and TCP)

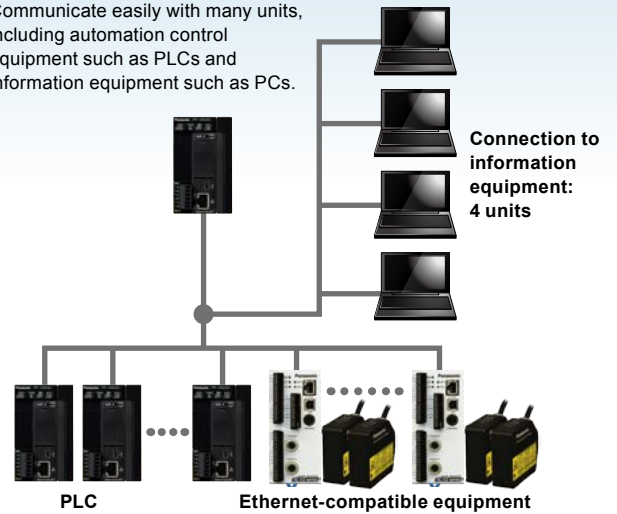
Existing PLC  
Existing facilities



To enable information collection, because the FP7 can deal with any protocol for Ethernet / serial communications, the FP7 can be installed in existing facilities.

### Communicating with up to 220 equipment units

Communicate easily with many units, including automation control equipment such as PLCs and information equipment such as PCs.



PLC  
Ethernet-compatible equipment  
Connection to automation control equipment:  
216 units (Simultaneous connection: 16 units)

## Store

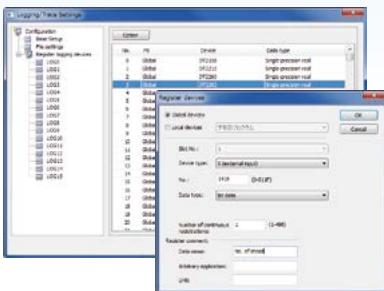
### Logs collected information

The FP7 securely stores and carries out log management of collected information assets.



### Easy multiple concurrent logging

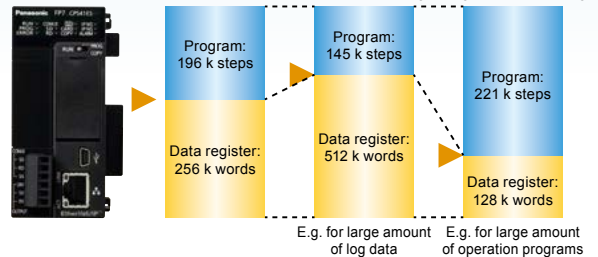
Logging set up is done via the configuration screen. Moreover, it is possible to keep up to 16 files concurrently active.



- Various triggers: periodic, cycle, bit, startup, etc.

### Use program and data register sharing to resolve data space shortage. No need repurchase expensive upgrade models.

Example: 196 k steps type CPU unit **AFP7CPS41E(S)**



### Protection of log data

Diagnosis of rewrite life of SD memory card helps protect valuable information assets.



\*Diagnosis possible when Panasonic industrial-spec SD memory cards are used.

Reference value: for 196 k steps type CPU unit (Note)

	234 k steps	221 k steps	196 k steps	145 k steps	52 k steps
Program	234 k steps	221 k steps	196 k steps	145 k steps	52 k steps
Data register	64 k words	128 k words	256 k words	512 k words	976 k words

Note: For data register (DT), data up to 256 k words can be backed up.

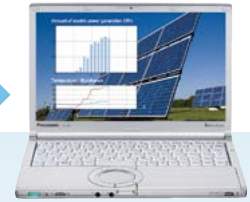
# + Information



## Transfer

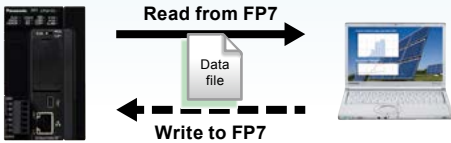
Information can be transferred to different types of media  
 FP7 transmits information to PC, server or the cloud, etc.

Cloud

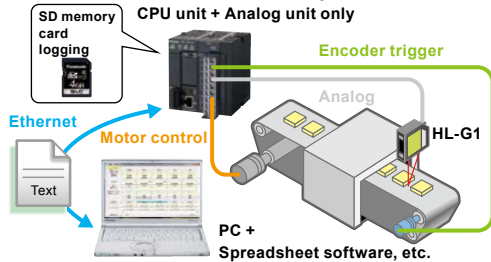


### Information can be transferred to different types of media

Allows the PC to read the logging data in the FP7's SD memory card and to write setting values and other parameters.

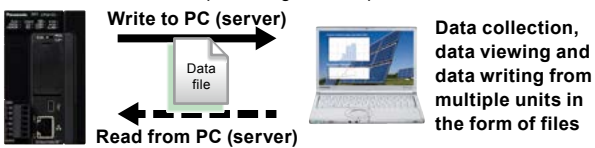


Manage your records by summarizing measurement data from your sensors together with result information from the inspection machines.

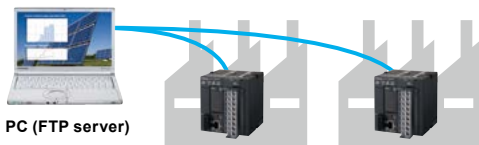


### FTP(S) client function (SSL-compatible)

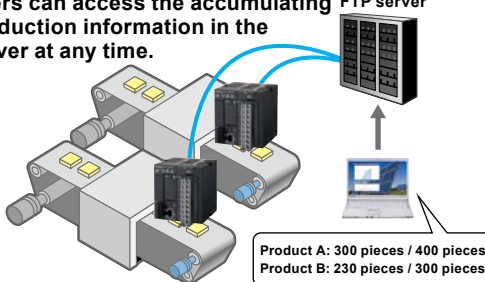
The FP7 can generate and write data files to an FTP server on a PC as well as read data files from the FTP server. The sessions use SSL, protecting IDs and passwords.



Transfer electric power data from factories and offices to an FTP server on a regular basis.

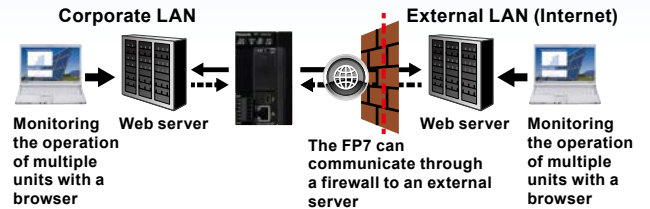


Users can access the accumulating production information in the server at any time.



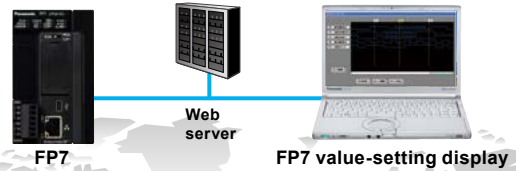
### HTTP(S) client function (SSL-compatible)

Transfer data from the FP7 to a web server for easy viewing with a browser. Send and receive data from multiple FP7 units on a schedule controlled by the FP7. Communicate both inside the firewall on an intranet and outside the firewall to the wider world through the Internet.

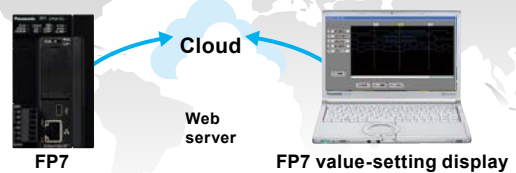


Allow users from around the world to access the current state of their equipment.

#### Data transfer to company server



#### Data transfer to cloud server



# + Information



## Check

**Check information at your fingertips**  
Data collected by the FP7 can be displayed in a web browser. Via smartphone or PC, it's easy to check the current state of the work site.



### Web server function

Monitor and control the FP7 without the use of custom software. Users can check the accumulated data in the FP7 with a browser.

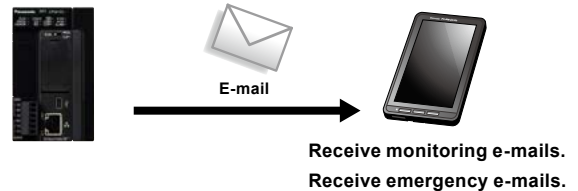
### Information updates viewable in e-mail.

The managers can receive and view e-mailed malfunction notifications and daily reports of equipment operations.



### E-mail sending function (SSL-compatible)

Use instructions and timings controlled by the FP7 to send e-mails on a pre-set schedule or when a pre-set condition changes in the PLC. The e-mails can have data files attached and communication is SSL-capable to protect the e-mails.



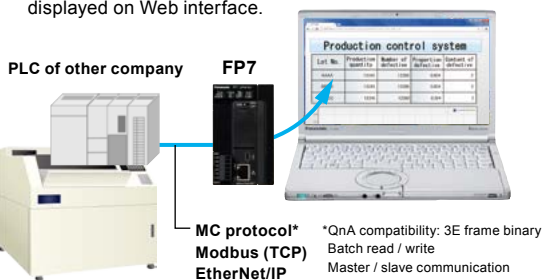
### 1. Check out status of greenhouse / food processing

With data always at hand, there's no need to go to the work site to check indoor temperature and humidity or the operation of pumps, heaters, and other equipment.



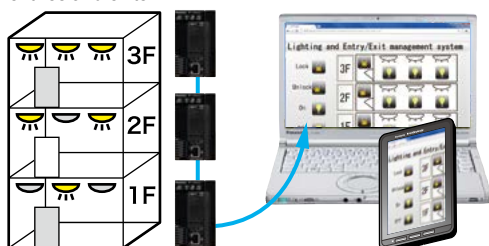
### 2. Operational status and production log management for production line

Operational status of the production line can be checked and traceability production control can be carried out. Current production line information can be collected and displayed on Web interface.

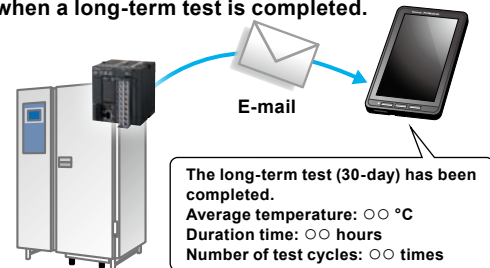


### 3. Building lighting / entry and exit management

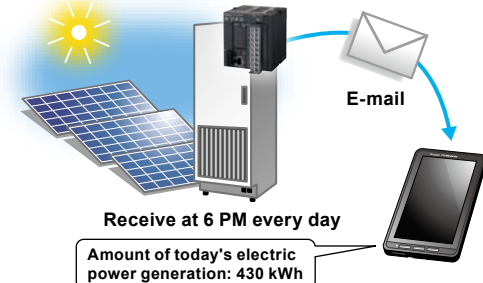
Through a web interface, it is possible to check the status of lighting in buildings and apartments, and to building entries and exits.



### Send the results and a notice of completion when a long-term test is completed.



### Receive a daily e-mail on your smartphone with the amount of electric power generated.



For more information on web server function, please see this catalog.



# Maintenance

## Historical archiving of program changes

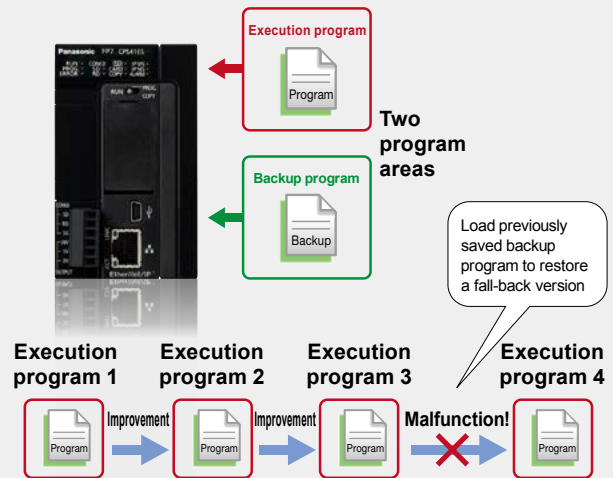
Operational events to CPU and program editing events are logged. Useful for debugging and tracing the cause of malfunctions

Date of occurrence	Time	Trigger
2014/11/21	14:05:35	Power: ON
2014/11/21	14:07:13	Open cover
2014/11/21	14:20:25	Insert SD memory card.
2014/11/21	14:30:19	Close cover
2014/11/21	14:31:00	Download program
2014/11/21	14:33:10	Switch operation mode to RUN
2014/11/21	14:35:12	Program edition during RUN
2014/11/21	14:35:32	Upload program
2014/11/21	14:40:07	Power: OFF

\*Data logs are virtual.

## The built-in program backup allows users to immediately recover factory default conditions.

The CPU unit can store two programs. In the event of fault, no SD memory card is needed to return to a previously saved backup program.

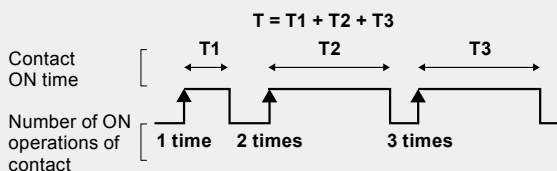


## Set a maintenance schedule that is based on an automatic measurement of contact switching cycles or overall ON time.

Service intervals can be timed according to logged contact switching cycles, and power-on duration, thus enabling preventive maintenance of equipment and peripheral equipment.

**Input contacts (X):** Automatically measures and logs total ON times and number of ON operations of connected sensors.

**Output contacts (Y):** Automatically measures and logs total ON times and number of ON operations of connected actuators. The maintenance schedules for relays, motors, etc. can be optimized.



### Records the PLC's ON time

Equipment operating time can be estimated. You can decide which equipment to give priority to reactivate if more than one item of equipment is idle.

## No need to replace a battery by data back up function without battery.

Equipment maintenance tasks are reduced because battery is not required. And, to save power, equipment can be switched off without hesitation.



Item	Without battery	With battery
Program holding	Yes	Yes
Data register holding <sup>(Note 1)</sup>	Yes	Yes
Clock / calendar operation	No <sup>(Note 2)</sup>	Yes

Notes: 1) Data register (DT) of up to 256 k words can be backed up.  
2) Clock / calendar operation can be held for about a week if the equipment is switched off. (Allow at least 30 minutes of equipment ON time.)

The built-in clock / calendar function can be adjusted via Ethernet. Adjustment at power start up allows the battery-free system to be configured.



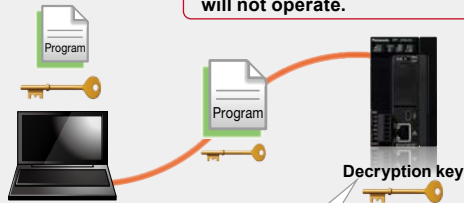
# Security and Compact design

Program level encryption ensures protection against copying program code.

Security enhanced type

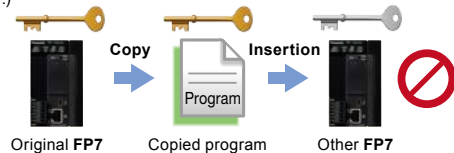
Encrypted program

- Programs cannot be decrypted.
- Even if the program is copied, it will not operate.



[ Decryption key ]

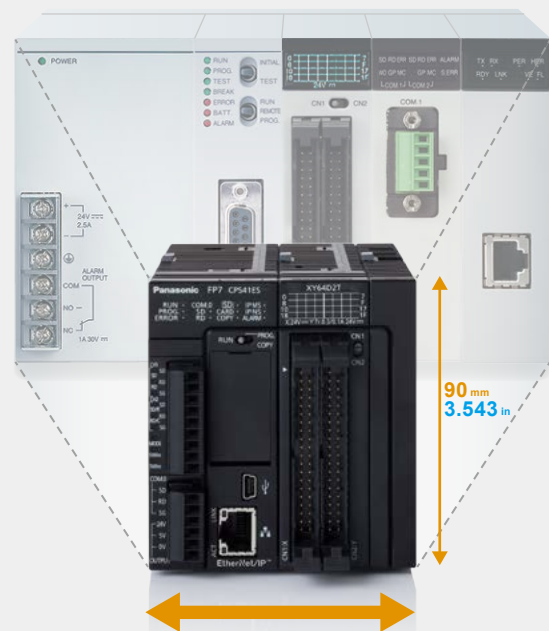
Activation is possible only if the decryption key on the FP7 matches that of the program. (Copied programs will not be activated on other FP7.)



Any attempt to copy the installed equipment's program into a newly purchased FP7 will fail due to an unmatched decryption key, resulting in the equipment becoming inoperable.

\*When exporting to China, please use a CPU that does not have an encryption function.

A high performance PLC with a small footprint.



Space saving **83 mm** **3.268 in**

Without the requirement of a power supply unit or backplane, you can reduce the cost and footprint of your PLC configuration.

No power supply unit

No backplane

A 24 V DC power can be directly connected from the control panel.

\*Add a power supply unit if AC power is required.

(Power supply unit cannot be used with AFP7CPS21 CPU unit.)

# FP7 series Lineup

## CPU units

P.12

Standard model



EtherNet/IP  
**AFP7CPS41E**



EtherNet/IP  
**AFP7CPS31E**



**AFP7CPS31**



**NEW**  
**AFP7CPS21**

Standard model  
Security  
enhanced type



EtherNet/IP  
**AFP7CPS41ES**



EtherNet/IP  
**AFP7CPS31ES**



**AFP7CPS31S**

**End unit**



**AFP7END**  
\*Included with CPU  
unit and Expansion  
slave unit

## Expansion units

P.13



**NEW**  
Expansion  
master unit  
**AFP7EXPM**



**NEW**  
Expansion  
slave unit  
**AFP7EXPS**

## Power supply units

P.26

AC power supply units



AC power  
supply unit  
**AFP7PSA1**



AC power supply unit  
(High-capacity type)  
**AFP7PSA2**

## Add-on cassettes

P.14 and 15

Communication cassettes



RS232C  
1 channel  
**AFP7CCS1**



RS232C  
2 channels  
**AFP7CCS2**



RS422 / RS485  
1 channel  
**AFP7CCM1**



RS422 / RS485  
2 channels  
**AFP7CCM2**



RS232C 1 channel  
and RS485 1 channel  
**AFP7CCS1M1**

Function cassettes



Ethernet  
1 channel  
**AFP7CCET1**



Analog input  
**AFP7FCAD2**



Analog input  
and output  
**AFP7FCA21**



Thermocouple input  
**AFP7FCTC2**

**Serial communication unit**  
P.26



**AFP7NSC**  
\*Communication  
cassette is sold  
separately  
\*Dedicated serial  
communication

## Digital input and output units

P.16 to 18

Input units



Terminal block  
16 points, 12 to 24 V  
DC input  
**AFP7X16DW**



MIL connector  
32 points, 24 V  
DC input  
**AFP7X32D2**



MIL connector  
64 points, 24 V  
DC input  
**AFP7X64D2**

Output units



Terminal block  
16 points,  
relay output  
**AFP7Y16R**



Terminal block  
16 points,  
transistor output  
(sink)  
**AFP7Y16T**



MIL connector  
32 points,  
transistor output  
(sink)  
**AFP7Y32T**



MIL connector  
64 points,  
transistor output  
(sink)  
**AFP7Y64T**

Input and output units



Terminal block  
16 points,  
transistor output  
(source)  
**AFP7Y16P**



MIL connector  
32 points,  
transistor output  
(source)  
**AFP7Y32P**



MIL connector  
64 points,  
transistor output  
(source)  
**AFP7Y64P**



MIL connector  
32 points, 24 V DC input  
32 points, transistor output  
(sink)  
**AFP7XY64D2T**



MIL connector  
32 points, 24 V DC input  
32 points, transistor output  
(source)  
**AFP7XY64D2P**

**Terminal block**



**AFP7TER**  
\*included with I/O  
unit and Analog I/O  
unit with terminal  
block

**Analog input and output units**

P.19

Input units



Analog input unit  
High-speed and high-accuracy type  
4 points, voltage and current  
**AFP7AD4H**



**NEW**  
Analog input unit  
High-speed and multi-channel type  
8 points, voltage and current  
**AFP7AD8**

Output unit



Analog output unit  
High-speed and high-accuracy type  
4 points, voltage and current  
**AFP7DA4H**

**Temperature input units**

P.20

Thermocouple multiple analog input unit



Thermocouple input and analog input  
**AFP7TC8**

Resistance temperature detector input unit



Resistance temperature detector input  
**AFP7RTD8**

**High-speed counter units**

P.21



2 channels  
16 MHz (for 2-phase, 4-multiple)  
4 MHz (for individual input)  
**AFP7HSC2T**



4 channels  
16 MHz (for 2-phase, 4-multiple)  
4 MHz (for individual input)  
**AFP7HSC4T**

**Positioning units**

P.22

Pulse train



Transistor output  
2 axes  
500 kpps  
**AFP7PP02T**



Transistor output  
4 axes  
500 kpps  
**AFP7PP04T**



Line driver output  
2 axes  
4 Mpps  
**AFP7PP02L**



Line driver output  
4 axes  
4 Mpps  
**AFP7PP04L**

**Pulse output units**

P.23



Transistor output  
2 axes  
500 kpps  
**AFP7PG02T**



Transistor output  
4 axes  
500 kpps  
**AFP7PG04T**



Line driver output  
2 axes  
4 Mpps  
**AFP7PG02L**



Line driver output  
4 axes  
4 Mpps  
**AFP7PG04L**

**PHLS (remote I/O) units**

P.24 and 25

PHLS master unit



**AFP7PHLSM**

PHLS slave units  
Input type



Compact type (e-CON)  
8 points, 24 V DC input  
**AFPRP2X08D2E**



Compact type (Connector-type terminal block)  
16 points, 24 V DC input  
**AFPRP2X16D2**



Standard type (Screw-type terminal block)  
8 points, 24 V DC input  
**AFPRP1X08D2**



Standard type (Screw-type terminal block)  
16 points, 24 V DC input  
**AFPRP1X16D2**

PHLS slave units  
Output type



Compact type (Connector-type terminal block)  
16 points, transistor output (sink)  
**AFPRP2Y16T**



Compact type (Connector-type terminal block)  
4 points, relay output  
**AFPRP2Y04R**



Standard type (Screw-type terminal block)  
16 points, transistor output (sink)  
**AFPRP1Y16T**

PHLS slave units  
Input and output types



Compact type (Connector-type terminal block)  
8 points, 24 V DC input  
8 points, transistor output (sink)  
**AFPRP2XY16D2T**



Standard type (Screw-type terminal block)  
8 points, 24 V DC input  
8 points, transistor output (sink)  
**AFPRP1XY16D2T**

# CPU units

## Basic performance [For AFP7CPS41E(S)]

- Operation speed: Min. 11 ns/step
- Program capacity: 196 k steps
- Data registers: 256 k words
- Number of unit connection: Max. 16 units

## Compact design and class-leading high performance



### 1. The function is expanded easily with cassette interface.

The function extension is possible without increasing the width of the unit. The cassettes support RS232C, RS422 and RS485 for series communication, Ethernet communication and various analog input and output.

### 2. High-capacity SD (SDHC) memory cards of up to 32 GB are supported.

Enables large storage for log data \*except for AFP7CPS21

### 3. High performance (min. scan time 1ms, max. 20 μs for 60 k steps)

The processing speed is less susceptible to frequent Ethernet communication

### 4. All communications ports are safely isolated

Confidently use any port - RS422 / RS485 and LAN ports, as well as USB and RS232C ports - each is isolated.

### 5. High function types, increased security (encryption), are available.

\*When exporting to China, please use a CPU that does not have an encryption function.

## Control specifications

Item		AFP7CPS41E(S) (Note 6)				
Memory capacity	Memory selection pattern (Note 1)	1	2	3 (Factory default)	4	5
	Program (steps) (Note 2)	234,000	221,500	196,000	144,500	51,500
	Data register (words) (Note 2)	65,536	131,072	262,144	524,288	999,424
	Number of max. program block (PB)	468	443	392	289	103
Item		AFP7CPS31E(S) / AFP7CPS31(S) (Note 6)				
Memory capacity	Memory selection pattern (Note 1)	1 (Factory default)	2	3	4	
	Program (steps) (Note 2)	121,500	96,000	64,000	32,000	
	Data register (words) (Note 2)	131,072	262,144	425,984	589,824	
	Number of max. program block (PB)	243	192	128	64	
Item		AFP7CPS21				
Memory capacity	Memory selection pattern (Note 1)	1 (Factory default)	2			
	Program (steps) (Note 2)	64,000	32,000			
	Data register (words) (Note 2)	131,072	262,144			
	Number of max. program block (PB)	128	64			
Item		AFP7CPS41E(S) / AFP7CPS31E(S) / AFP7CPS31(S) / AFP7CPS21				
Programming method	Relay symbol method					
Control method	Cyclic operation method					
Program memory	Built-in flash ROM (no backup battery required)					
Operation speed	Basic instruction: Min. 11 ns/step (AFP7CPS21: 14 ns/step)					
External input (X) / output (Y)	8,192 points (Note 4) / 8,192 points (Note 4)					
Internal relays (R)	32,768 points					
System relays (SR)	Indicate operation status of various relays is shown.					
Link relays (L)	16,384 points					
Timers (T)	4,096 points: Timer capable of counting (units: 10 μs, 1 ms, 10 ms, 100 ms or 1 sec.) × 4,294,967,295					
Counters (C)	1,024 points, Counter capable of counting 1 to 4,294,967,295					
Link data registers (LD)	16,384 words					
System data registers (SD)	Internal operation status of various registers is shown.					
Index registers (I0 to IE)	15 long words / With switching function					
Master control relay (MCR)	Unlimited					
Number of labels (LOOP)	Max. 65,535 points for each program block (PB)					
Differential points	Unlimited					
Number of step ladders	Unlimited					
Number of subroutines	Max. 65,535 points for each program block (PB)					
Number of interrupt programs	1 periodical interrupt program					
SD memory card function	SDHC memory cards of up to 32 GB are usable. *except for AFP7CPS21					
Constant scan	Available (0 to 125 ms)					
Real time clock (Note 3)	Built in. Date backup with battery.					
Battery life	3.3 years or more (at 25 °C 77 °F) (when no power is supplied) *except for AFP7CPS21					
Security function (Note 5)	Password / Restricted distribution / Read disable setting / Encryption					
PLC link function	Max. 16 units, link relays: 1,024 points, link registers: 128 words. (Data transfer and remote programming are not supported) (Link area allocation is switchable between the first and the second half)					

- Notes: 1) The factory default setting is pattern 3 for AFP7CPS41E(S) and pattern 1 for AFP7CPS31E(S), AFP7CPS31(S) and AFP7CPS21.  
 2) For data register (DT), data up to 262,144 words can be backed up.  
 3) Precision of calendar: At 0 °C 32 °F, less than 95 seconds error per month, At 25 °C 77 °F, less than 15 seconds error per month, At 55 °C 131 °F, less than 130 seconds error per month.  
 4) Hardware configuration governs the actually usable number of I/O points. When I/O points are not actually used, usable as internal relays.  
 5) Encryption can be used for AFP7CPS41ES, AFP7CPS31ES and AFP7CPS31S.  
 6) Products with an "S" at the end of a part number have the encryption function.

## COM port communication specifications

Item	Specifications
Interface	RS232C, three-wire system, 1 channel (Note 1)
Transmission distance	15 m 49 ft
Transmission speed	300, 600, 1200, 2400, 4800, 9600, 19200, 38400, 57600, 115200, 230400 bits/sec.
Communication method / Synchronous method	Half-duplex system / Start-stop synchronization system
Transmission format	Stop bit: 1 bit / 2 bits
	Parity: none / odd / even
	Data length: 7 bits / 8 bits
	Start code: with STX / without STX
End code: CR / CR + LF / none / ETX	
Data transmission order	Transmit from bit 0 in character units.
Communication mode	General-purpose communication, Computer link and MODBUS-RTU

Note: 1) SD, RD and SG terminals are isolated from internal circuits.

## Dedicated power supply output port specifications for GT series programmable display

Output terminal (Note 1)	Connecting programmable display model
5 V	For 5 V DC type GT series Programmable Display
24 V (Note 2)	For 24 V DC type GT series Programmable Display

- Notes: 1) 5 V and 24 V DC types are not usable at the same time.  
 2) Use 21.6 to 26.4 V DC to power the CPU unit.  
 Please check the "GT Series Manual" for grounding of the GT series programmable display.  
 The AFP7CPS21 is not provided with this port.

## LAN port communication specifications [except for AFP7CPS31(S) / AFP7CPS21]

Item	Specifications
Communication interface	Ethernet 100BASE-TX / 10BASE-T
Baud rate	100 Mbps, 10 Mbps auto negotiation function
Total cable length	100 m 328 ft (500 m 1,640 ft when a repeater is used)
Number of nodes	Max. 254 units
Number of simultaneous connections	Max. 220 connections (user connection: 216, system connection: 4)
Communication protocol (Communication layer)	TCP / IP, UDP
DNS	Supports name servers
DHCP / DHCPV6	Automatic IP address acquisition
FTP server / Client (SSL compatible)	Server function, file transfer, number of user: 3 Client function, data and file transfer
HTTP server / Client (SSL compatible)	Server function, system web, Customer web (8 MB), number of concurrent session: 16 Client function, data transfer
SMTP client (SSL compatible)	Client function, mail transfer
SNTP	Time adjustment function
General-purpose communication	16 kB / 1 connection (user connection: 1 to 16)
Dedicated communication	Slave communication (MEWTOCOL-COM, MEWTOCOL7-COM, MEWTOCOL-DAT, MODBUS-TCP, MC protocol (Note 1))
	Master communication (MEWTOCOL-COM, MEWTOCOL-DAT, MODBUS-TCP, MC protocol (Note 1))

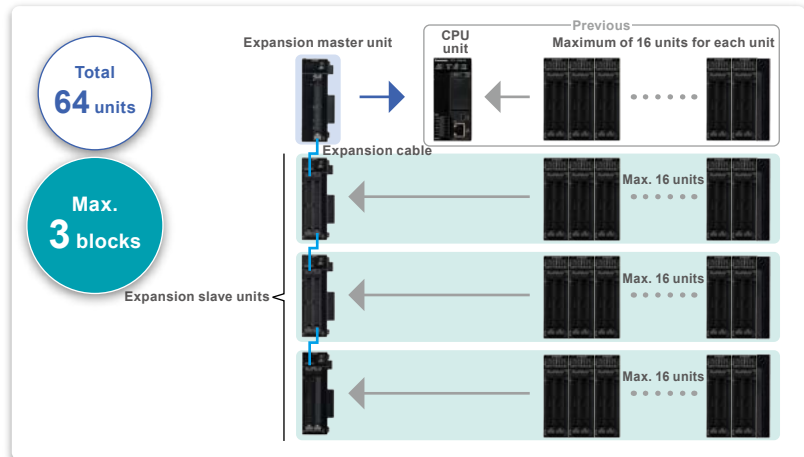
Note: 1) MC protocol is a short form denoting MELSEC communication protocol; MELSEC is a registered trademark of Mitsubishi Electric Corporation.  
 QnA compatible 3E frame, only binary (bulk writing and bulk reading) use is available.



# Expansion units

Connect a maximum of 3 blocks and a total of 64 units

Three blocks can be expanded on one CPU unit. Distributed installation achieved while maintaining high-speed bus transmission.



## Specifications

Item	Product name	Expansion master unit	Expansion slave unit
	Part No.	AFP7EXPM	AFP7EXPS
Number of expansion	Block	Max. 3 blocks (total 4 blocks)	
	Unit	Max. 48 units (total 64 units)	
Transmission distance	Distance between blocks	Length of expansion cable (0.5 m 1.640 ft, 1 m 3.281 ft, 3 m 9.843 ft and 10 m 32.808 ft)	
	Total extension	Max. 30 m 98.425 ft (Expansion cable × 3 expansions) <sup>(Note 1)</sup>	
Current consumption <sup>(Note 2)</sup>		120 mA or less	100 mA or less
Max. allowable current		–	3.0 A (at 24 V DC power supply terminal)
Expansion bus connector		MIL 40 pins	MIL 40 pins × 2
Net weight		120 g approx.	200 g approx. (including end unit)
Accessories		–	Power supply cable (Part No.: AFP805) End unit (Part No.: AFP7END)

Notes: 1) Can support a maximum of 100 m 328 ft length between blocks. Please inquire with us for details.

2) Differs depending on power supply voltage and number of expansion units.

3) You cannot use the expansion units with the AFP7CPS21 CPU unit.

# Add-on cassettes (communication cassettes)

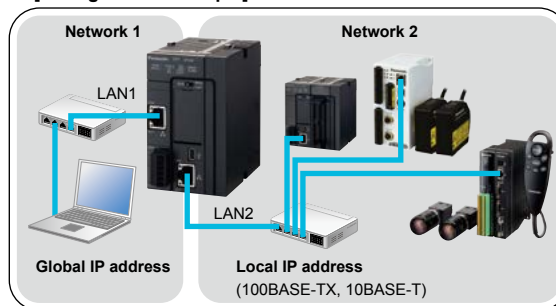
For communication with programmable displays or PCs and for data exchange between PLCs



## 1. Serial communication and Ethernet communication can be added to the CPU.

6 types are available including cassettes that support any combination of RS232C, RS485 and Ethernet.

### [Configuration example]



## 2. Protocol supports MODBUS-RTU.

Communication can easily be accomplished using comfortable communication instructions.

## Specifications

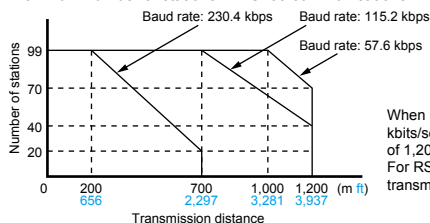
Item	AFP7CCS1	AFP7CCS2 (Note 7)	AFP7CCM1 (Note 6)	AFP7CCM2 (Note 6)	AFP7CCS1M1
Interface	RS232C, 1 channel	RS232C, 2 channels	RS422 or RS485, 1 channel	RS422 or RS485, 2 channels	RS232C, 1 channel and RS485, 1 channel
Transmission distance	Max. 15 m 49 ft (Note 2)		Max. 1,200 m 3,937 ft at RS485 mode (Note 3 and 4) Max. 400 m 1,312 ft at RS422 mode (Note 3 and 4)	Max. 15 m 49 ft (Note 2)	Max. 1,200 m 3,937 ft (RS485) (Note 3 and 4)
Transmission speed	300, 600, 1200, 2400, 4800, 9600, 19200, 38400, 57600, 115200, 230400 bits/sec.				
Communication method	Half-duplex				
Synchronous method	Start-stop synchronization				
Transmission format	Stop bit: 1 bit / 2 bits				
	Parity: none / odd / even				
	Data length: 7 bits / 8 bits				
	Start code: with STX / without STX				
Data transmission order	End code: CR / CR + LF / none / ETX Transmit from bit 0 in character units.				
Max. number of stations (Note 2, 3 and 4)	-	-	For program controlled communication: max. 99 (Note 8) For computer link: max. 99 (Note 8) For PLC link: max. 16 (Note 8) For MODBUS-RTU: max. 99 (Note 8)		For program controlled communication: max. 99 For computer link: max. 99 For PLC link: max. 16 For MODBUS-RTU: max. 99

Notes: 1) When connecting a commercially available device that has an RS485 / RS422 interface, please confirm operation using the actual device. In some cases, the number of station units, transmission distance and communication speed vary depending on the connected device.

2) Cable length should be no longer than 3 m 9.8 ft if communicating at a rate of 38.4 kbits/sec. or higher. If you are using RS232C wiring, shielded cable should be used to improve noise immunity.

3) For RS485 setting, the values for transmission distance, transmission speed and number of connected units should be within the values noted in the graph below.

Maximum number of stations in RS485 communications



When using a transmission speed of 38.4 kbits/sec. or less, you can set up a maximum of 1,200 m 3,937 ft and 99 units. For RS422 setting, you can set up a maximum transmission distance of 400 m 1,312 ft.

4) If mixed C-NET adapters are used, up to 32 units can be connected, but transmission speed will be limited to a maximum of 19.2 kbits/sec..

5) The converter SI-35 manufactured by LINE EYE Co., Ltd. is recommendable for the RS485 at the computer side.

When you use the SI-35, please adjust time after FP7 series PLC receives a command until it returns a response by a program.

6) RS422 or RS485 can be selected using the DIP switch built into the communication cassette.

7) Using the DIP switch built into the communication cassette allows the interface to be used as RS232C 5-wire system × 1 channel.

8) 1:1 for RS422 interface

Item	AFP7CCET1
Interface	Ethernet 100BASE-TX / 10BASE-TX
Communication speed	100 Mbps, 10 Mbps Auto negotiation function
Total cable length	100 m 328 ft (500 m 1,640 ft when a repeater is used)
Number of nodes	Max. 254 units
Number of simultaneous connections	Max. 4 connections (User connection: 3, System connection: 1)
Communication protocol (Communication layer)	TCP / IP, UDP
DHCP	Automatic IP address acquisition
General-purpose communication	4 kB / 1 connection
Dedicated communication	Slave communication (MEWTOCOL-COM, MEWTOCOL7-COM, MEWTOCOL-DAT) Master communication (MEWTOCOL-COM, MEWTOCOL7-COM, MEWTOCOL-DAT)

Notes: 1) Please connect the Ethernet cable with the power turned off.  
2) You cannot use this cassette "AFP7CCET1" with the serial communication unit.

# Add-on cassettes (function cassettes)

## Add Analog I/O, temperature input function



### 1. Analog I/O and temperature input functions can be added to the CPU unit.

Low cost expansion of the CPU unit with an analog function is easy and installation space can be reduced.



Analog cassette

- Analog input (2 channels)
- Analog input and output (input: 2 channels, output: 1 channel)
- Thermocouple (2 channels)

### 2. Low cost addition of functions

Reduced cost and space are realized compared to the analog input and output unit.

## ANALOG INPUT CASSETTE / ANALOG INPUT AND OUTPUT CASSETTE

### ■ Input specifications (AFP7FCAD2 / AFP7FCA21)

Item		AFP7FCAD2 / AFP7FCA21	
Input specifications	Number of input points	2 channels (non-insulated between channels)	
	Input range	Voltage	0 to 10 V / 0 to 5 V *Switch setting (individual settings possible)
		Current	0 to 20 mA
	Digital conversion value	K0 to K4000	
	Resolution	1/4000 (12 bits)	
	Conversion speed	1 ms / channel	
	Overall precision	±1 % F.S. or less (0 to 55 °C <b>32 to 131 °F</b> )	
	Input impedance	Voltage	1 MΩ
		Current	250 Ω
	Absolute maximum input	Voltage	-0.5 V, +15 V
		Current	+30 mA
	Insulation method	• Between analog input terminal and internal digital circuit: transformer insulation, isolation IC insulation • Between analog input terminal and analog output terminal: transformer insulation, isolation IC insulation	
	Connection method	Connector type terminal block	

Note: Input specifications of the analog I/O cassette and analog input cassette are the same.

## ANALOG INPUT AND OUTPUT CASSETTE

### ■ Output specifications (AFP7FCA21)

Item		AFP7FCA21	
Output specifications	Number of output points	1 channel	
	Output range	Voltage	0 to 10 V / 0 to 5 V *Switch setting
		Current	0 to 20 mA
	Digital conversion value	K0 to K4000	
	Resolution	1/4000 (12 bits)	
	Conversion speed	1 ms / channel	
	Overall precision	±1 % F.S. or less (0 to 55 °C <b>32 to 131 °F</b> )	
	Output impedance	0.5 Ω (voltage output)	
	Max. output current	10 mA (voltage output)	
	Absolute output load resistance	600 Ω or less (current output)	
	Insulation method	• Between analog input terminal and internal digital circuit: transformer insulation, isolation IC insulation • Between analog input terminal and analog output terminal: transformer insulation, isolation IC insulation	
	Connection method	Connector type terminal block	

Note: There is no analog output functionality in the analog input cassette.

## THERMOCOUPLE CASSETTE

### ■ Specifications (AFP7FCTC2)

Item		AFP7FCTC2
Number of input points		2 channels (insulated between channels)
Input range <sup>(Note)</sup>	K type thermocouple	-50.0 to 500.0 °C <b>-58.0 to 932.0 °F</b>
	J type thermocouple	-50.0 to 500.0 °C <b>-58.0 to 932.0 °F</b>
Digital conversion value	Normal time	K-500 to K5000
	When range over	K-501, K5001 or K8000
	When the thermocouple broken	K8000
	When data preparation	K8001
Resolution	0.2 °C <b>32.36 °F</b> (Display is 0.1 °C <b>32.18 °F</b> with the software averaging process.)	
Sampling cycle	100 ms / 2 channels	
Overall precision	±0.5 % F.S. or less and cold contact accuracy: 1.5 °C <b>34.7 °F</b> (0 to 55 °C <b>32 to 131 °F</b> )	
Input impedance	344 KΩ	
Insulation method	• Between thermocouple input terminal and internal digital circuit: transformer insulation, isolation IC insulation • Between thermocouples: transformer insulation, isolation IC insulation	
Connection method	Connector type terminal block	

Note: Thermocouple setting can be switched with the switch on the front of the cassette.

# Digital input and output units

I/O points can be added as necessary.



## 1. Input/output mixed units are available.

The necessary I/O points can be efficiently obtained, resulting in a compact PLC at reduced cost.

## 2. The 64 points transistor output unit is designed for 300 mA current capacity.

The 64 points transistor output unit is equipped with 8 contact points with 300 mA current capacity. Large indicator lamps, magnetic contacts, etc. can be driven directly.



## 3. The noise countermeasure is possible by an adjustment of the input time constants.

Response speed can be selected from 0.1 ms, 0.5 ms, 1 ms, 5 ms, 10 ms, 20 ms or 70 ms, depending on the output equipment to be used.



## Input specifications

Item	DC input units			I/O mixed unit (input side)	
	16 points type	32 points type	64 points type	DC input / sink type	DC input / source type
Insulation method			Photocoupler		
Rated input voltage	12 to 24 V DC	24 V DC	24 V DC	24 V DC	24 V DC
Rated input current	6 mA approx. (at 24 V)	2.7 mA	2.7 mA	2.7 mA	3.4 mA
Impedance	3.6 kΩ	8.2 kΩ	8.2 kΩ	8.2 kΩ	7.5 kΩ
Min. ON voltage / min. ON current	9.6 V / 2 mA	19.2 V / 2.5 mA	19.2 V / 2.5 mA	19.2 V / 2.5 mA	19.2 V / 2.5 mA
Max. OFF voltage / max. OFF current	2.5 V / 1 mA	5 V / 1.5 mA	5 V / 1.5 mA	5 V / 1.5 mA	5 V / 1.5 mA
Response time	OFF→ON	0.1 ms or less (Note)	0.2 ms or less (Note)	0.2 ms or less (Note)	0.2 ms or less (Note)
	ON→OFF	0.2 ms or less (Note)	0.2 ms or less (Note)	0.2 ms or less (Note)	0.2 ms or less (Note)
Input points per common	8 points / common	32 points / common	32 points / common	32 points / common	32 points / common
Connection method	Terminal block (M3 terminal screws)	Connector (MIL-compliant 40 pins)	Connector (MIL-compliant 40 pins, two use)	Connector (MIL-compliant 40 pins)	

Note: Changeable by settable input time constant

## Output specifications

Item	Relay output unit	Transistor output units				I/O mixed unit (output side)	
	16 points type	16 points (NPN)	32 points (NPN)	64 points (NPN)	16 points (PNP)	32 points (NPN)	
Insulation method	Relay	Photocoupler				Photocoupler	
Nominal switching capacity	2 A 250 V AC / 2 A 30 V DC	-	-	-	-	-	
Min. load	1 mA 100 mV DC (resistive load)	-	-	-	-	-	
Output type	-	Open collector				-	
Rated load voltage	-	5 to 24 V DC				-	
Operating load voltage range	-	4.75 to 26.4 V DC				-	
Max. load current	0.3 A (Y0 to Y7)	1 A	0.3 A (26.4 to 20.4 V DC) 30 mA (4.75 V DC)	0.3 A (20.4 to 26.4 V DC) 30 mA (4.75 V DC)	1 A	0.3 A (20.4 to 26.4 V DC) 30 mA (4.75 V DC)	
	0.1 A (other than that above)						0.1 A (20.4 to 26.4 V DC) 15 mA (4.75 V DC)
Common restriction	5 A	5 A	3.2 A / common		5 A	3.2 A / common	
Max. surge current	-	3 A	0.6 A		3 A	0.6 A	
OFF state leakage current	-	1 μA or less				1 μA or less	
ON state voltage drop	-	0.5 V or less				0.5 V or less	
Repose time	OFF→ON	10 ms approx.	0.05 ms or less (at load current 0.5 mA or more)	0.1 ms or less (at load current 1 mA or more)	0.1 ms or less (at load current 2 mA or more)	0.05 ms or less (at load current 0.5 mA or more)	0.1 ms or less (at load current 2 mA or more)
	ON→OFF	8 ms approx.	0.3 ms or less (at load current 0.5 mA or more)	0.3 ms or less (at load current 1 mA or more)	0.3 ms or less (at load current 1 mA or more)	0.3 ms or less (at load current 0.5 mA or more)	0.3 ms or less (at load current 2 mA or more)
Life time	Mechanical life	2 × 10 <sup>7</sup> operations or more	-	-	-	-	-
	Electrical life	1 × 10 <sup>5</sup> operations or more	-	-	-	-	-
External power supply	Voltage	-	4.75 to 26.4 V DC		4.75 to 26.4 V DC		
	Current (at 24 V)	-	70 mA	110 mA	70 mA / common	70 mA	70 mA
Surge absorber	Snubber circuit (leakage current: 0.2 mA or less)	Zener diode				Zener diode	
Short circuit protection	-	-				-	
Output points per common	16 points / common	16 points / common	32 points / common		16 points / common	32 points / common	
External connection method	Terminal block (M3 terminal screws)	Terminal block (M3 terminal screws)	Connector (MIL-compliant 40 pins)	Connector (MIL-compliant 40 pins, two use)	Terminal block (M3 terminal screws)	Connector (MIL-compliant 40 pins)	



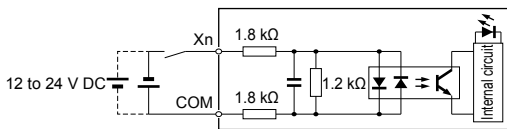
## Output specifications

Item	Transistor output units		I/O mixed unit (output side)
	Source type (PNP open collector)		
	32 points type	64 points type	32 points type
Insulation method	Photocoupler		
Output type	Open collector		
Rated load voltage	5 to 24 V DC		
Load voltage allowable range	4.75 to 26.4 V DC		
Max. load current	0.3 A (Y0 to Y7)	0.3 A (26.4 to 20.4 V DC) 30 mA (4.75 V DC)	0.3 A (20.4 to 26.4 V DC) 30 mA (4.75 V DC)
	0.1 A (other than that above)		0.1 A (20.4 to 26.4 V DC) 15 mA (4.75 V DC)
Common restriction	3.2 A / common		
Max. surge current	0.6 A		
OFF state leakage current	1 $\mu$ A or less		

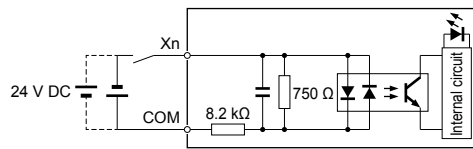
Item	Transistor output units		I/O mixed unit (output side)
	Source type (PNP open collector)		
	32 points type	64 points type	32 points type
ON state maximum voltage drop	0.5 V or less		
Repose time	OFF→ON	0.1 ms or less (at load current 2 mA or more)	
	ON→OFF	0.5 ms or less (at load current 2 mA or more)	
External power supply	Voltage 4.75 to 26.4 V DC		
Surge absorber	Current (at 24 V)	130 mA	90 mA / common
	Zener diode		
Short circuit protection	-		
Output points per common	32 points / common		
Operating mode indicator	32 points LED display (lights when ON)		32 points LED display (lights when ON, selectable by switch)
External connection method	Connector (MIL-compliant 40 pins)	Connector (MIL-compliant 40 pins, two use)	Connector (MIL-compliant 40 pins, one use)

## I/O circuit diagrams

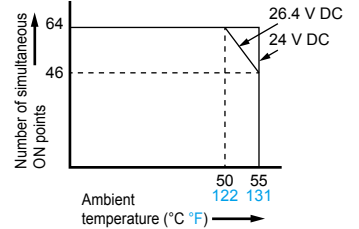
- DC input unit [input circuit diagrams] [16 points]



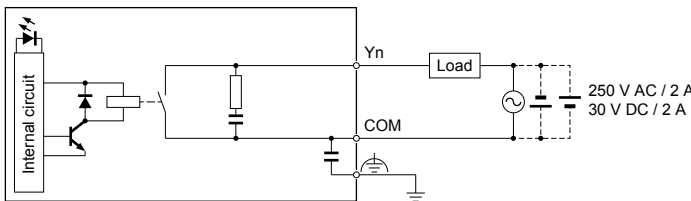
[32 points / 64 points]



Reduce simultaneous ON points according to the graph below.

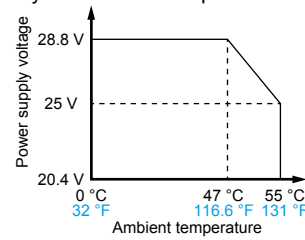


- Relay output unit [output circuit diagram]

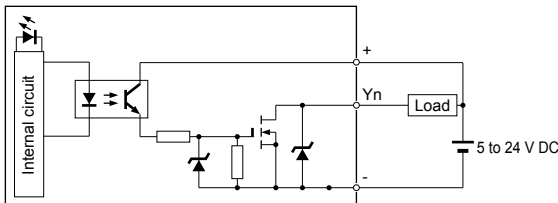


### Limitations on power supply voltage

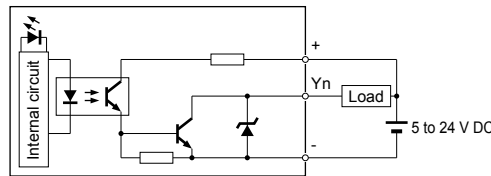
Reduce power supply voltage according to the graph below by the ambient temperature.



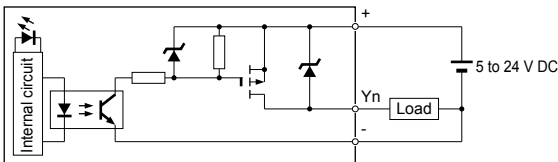
- Transistor output unit [output circuit diagram] [Sink type, 16 points]



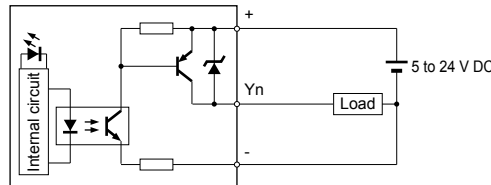
[Sink type, 32 points / 64 points]



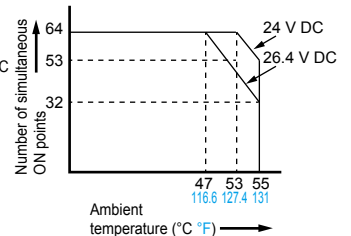
[Source type, 16 points]



[Source type, 32 points / 64 points]

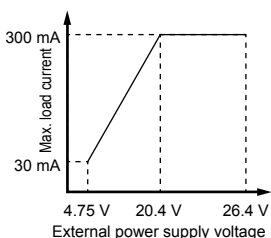


Limitations on simultaneous ON points [64 points]

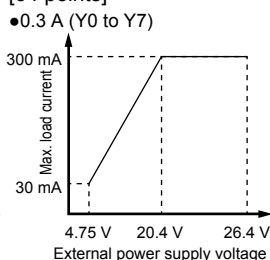


Note: Reduce load current according to the graph below by the external power supply voltage.

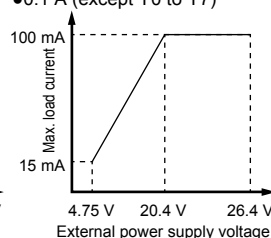
[32 points]



[64 points]



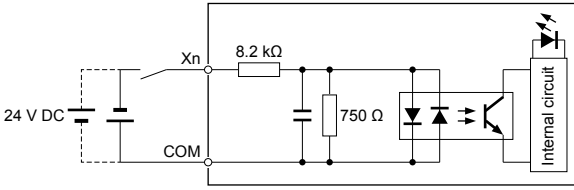
•0.1 A (except Y0 to Y7)



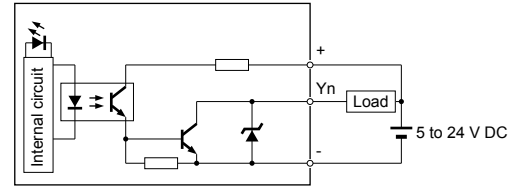
## I/O circuit diagrams

### I/O mixed unit [I/O circuit diagram]

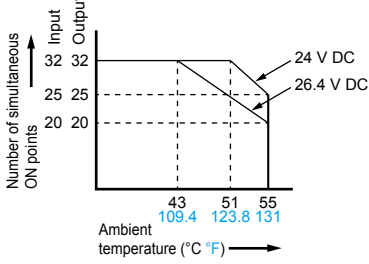
[Input circuit, sink type]



[Output circuit, sink type]



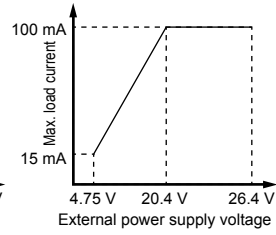
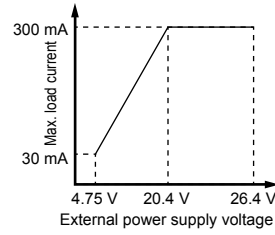
Limitations on simultaneous ON points (common to input and output)



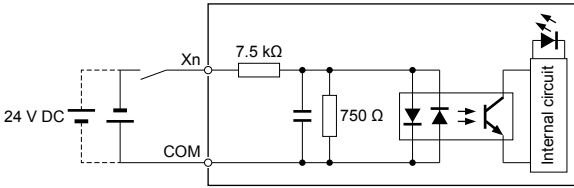
Note: Reduce load current according to the graph below by the external power supply voltage.

• 0.3 A (Y0 to Y7)

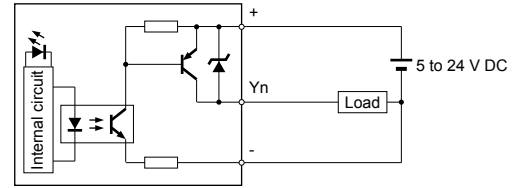
• 0.1 A (except Y0 to Y7)



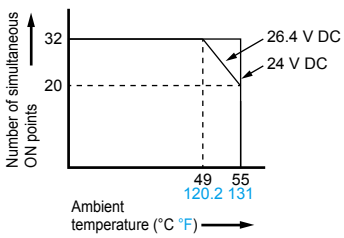
[Input circuit, source type]



[Output circuit, source type]



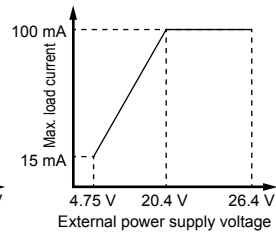
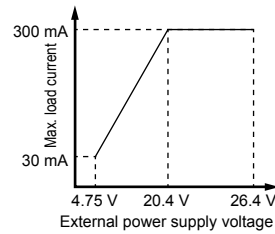
Limitations on simultaneous ON points (common to input and output)



Note: Reduce load current according to the graph below by the external power supply voltage.

• 0.3 A (Y0 to Y7)

• 0.1 A (except Y0 to Y7)



# Analog input and output units

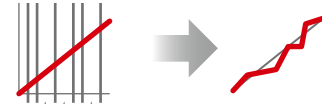


## Channel insulation is switchable to support various devices

1. 20 times faster conversion than in previous model: 25  $\mu$ s/channel
2. High-speed sampling that doesn't depend on CPU unit scanning  
Sampling and data collection in the analog unit!  
Use the measurement applications because with the fixed cycle, analog signal can be held in the buffer.

### Dependent on scan of CPU

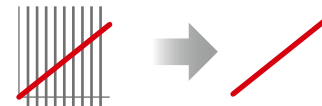
The scan gets delayed when the CPU slows down due to other processes and sampling becomes sporadic.



Occurrence of failure

### Sampling in the analog unit

Accurate sampling possible with fixed cycle.



3. High-accuracy of  $\pm 0.05\%$  F.S. (at 25 °C 77 °F) can be achieved.
4. Noise-resistant with isolated channels

## ■ Analog input specifications (AFP7AD4H / AFP7AD8)

Item	Part No.		AFP7AD4H	AFP7AD8
	Number of channels		4 channels	8 channels
Input range (Resolution, Max. 16 bits)	Voltage	-10 to +10 V (resolution: 1/62,500) 0 to 10 V (resolution: 1/31,250) 0 to 5 V (resolution: 1/31,250) 1 to 5 V (resolution: 1/25,000) (Note)		
		Current	0 to 20 mA (resolution: 1/31,250) 4 to 20 mA (resolution: 1/25,000) (Note)	
Conversion speed	Voltage / current		25 $\mu$ s/channel (at non-insulated channels) 5 ms/channel (at insulated channels)	25 $\mu$ s/channel (at non-insulated channels)
		Overall accuracy	$\pm 0.05\%$ F.S. or less (at 25 °C 77 °F) $\pm 0.1\%$ F.S. or less (at 0 to 55 °C 32 to 131 °F)	$\pm 0.1\%$ F.S. or less (at 25 °C 77 °F) $\pm 0.3\%$ F.S. or less (at 0 to 55 °C 32 to 131 °F)
Input impedance	Voltage input / Current input	1 M $\Omega$ approx. / 250 $\Omega$		
Max. input range	-15 to +15 V voltage input -2 to +30 mA current input			
Insulation method	Between input terminals and internal circuit	Photocoupler and isolated DC / DC converter		
	Between channels	PhotoMOS relay		
Digital processing	Averaging	Number of times	Setting range: 2 to 60,000 times	
		Time duration	Time setting range: 1 to 1,500 ms (at non-insulated channels), 200 to 60,000 ms (at insulated channels)	Time setting range: 1 to 1,500 ms (at non-insulated channels)
	Moving	Range setting: 2 to 2,000 times		
	Scale conversion setting	Any value within $\pm 30,000$		
	Offset setting	Any value within $\pm 3,000$		
Gain setting	Any value within 9,000 to 11,000			
Input range change method	Selectable per channel			
Conversion execution / non-execution channel setting	Selectable per channel unit			
Max. and min. value holding	Possible to make settings on a channel-by-channel basis			
Comparison of upper and lower limit values	Possible to make settings on a channel-by-channel basis (hysteresis)			
Broken wire detection	When less than 0.7 V / 2.8 mA (only when voltage input range 1 to 5 V or current input range 4 to 20 mA is set.)		When less than 2.8 mA (only when current input range 4 to 20 mA is set.)	
Buffer function	3 trigger types: Soft trigger, External trigger and Input level			

Note: The full scale (F.S.) on the accuracy of an analog voltage input range from +1 to +5 V and that of an analog current input range from +4 to +20 mA are 0 to +5 V and 0 to +20 mA, respectively.

Item	Part No.		AFP7AD4H	AFP7AD8
	Number of channels		4 channels	8 channels
Trigger input section	Insulation method	Photocoupler		
	Rated input voltage / Rated input current	24 V DC / 4.5 mA approx. (at 24 V DC)		24 V DC / 12 mA approx. (at 24 V DC)
	Input impedance	5.1 k $\Omega$ approx.		2 k $\Omega$ approx.
	Operating voltage range	21.6 to 26.4 V DC		
	Min. ON voltage / Min. ON current	19.2 V / 3.5 mA		
	Max. OFF voltage / Max. OFF current	5 V / 1.5 mA		
	Response time	OFF→ON	0.2 ms or less	0.1 ms or less
		ON→OFF	0.2 ms or less	0.1 ms or less
	Input points per common	2 points/common		1 point/common
Connection method	Terminal block (M3 terminal screw)			

## ■ Analog output specifications (AFP7DA4H)

Item		AFP7DA4H
Number of output channels	4 channels	
Output range (Resolution, Max. 16 bits)	Voltage	-10 to +10 V (resolution: 1/62,500) 0 to 10 V (resolution: 1/31,250) 0 to 5 V (resolution: 1/31,250) 1 to 5 V (resolution: 1/25,000)
	Current	0 to 20 mA (resolution: 1/31,250) 4 to 20 mA (resolution: 1/25,000)
Conversion speed	Voltage / current	25 $\mu$ s/channel
Overall accuracy	$\pm 0.1\%$ F.S. or less (at 25 °C 77 °F) $\pm 0.3\%$ F.S. or less (at 0 to 55 °C 32 to 131 °F)	
Output impedance (voltage output)	0.5 $\Omega$ or less	
Max. output current (voltage output)	10 mA	
Permissible output load resistance (Current output)	500 $\Omega$ or less	
Insulation method	Between the input terminals and internal circuit	Photocoupler and isolated DC / DC converter
	Between channels	Not insulated
Scale conversion setting	Any value within $\pm 30,000$	
Offset and gain function	Offset setting	Any value within $\pm 3,000$
	Gain setting	Any value within 9,000 to 11,000
Output range change method	Selectable per channel	
Conversion execution / non-execution channel setting	Selectable per channel unit	
Upper and lower output limit clip function	Possible to make settings on a channel-by-channel basis	
Analog output holding (in PROG mode)	Present value/any value/not holding	
Connection method	Terminal block (M3 terminal screws)	

# Temperature input units



## High-speed, high-accuracy and multi-channel input

### 1. Easy to perform high-accuracy measurement

Equipped with a variety of functions required for temperature measurement  
Easy to obtain measurement results

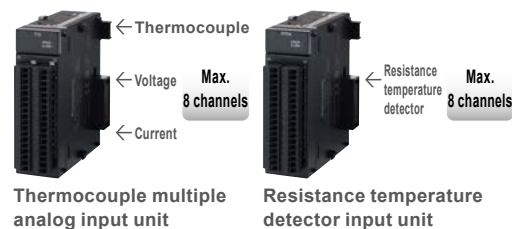
Averaging processing	Number of times, time, moving
Insulation	Channels are insulated from one another and from the internal circuit.
Simple setting	Initial settings can be completed on the configuration screen.

### 2. Capable of high-speed and high-accuracy temperature input

	High-speed conversion	High-accuracy
Thermocouple multiple analog input unit	5 ms/channel (high-speed mode) 25 ms/channel (normal mode)	±0.1 % F.S. (at 25 °C 77 °F) ±0.3 % F.S. (at 0 to 55 °C 32 to 131 °F)
Resistance temperature detector input unit	25 ms/channel (normal mode)	

### 3. Multi-channel input

One unit can control the input of up to 8 channels.  
With so many channels, the unit eliminates the need to purchase additional units, reducing required space and costs.  
The thermocouple multiple analog input unit can also control voltage and current inputs.



## Specifications

Product name		Thermocouple multiple analog input unit
Item	Part No.	AFP7TC8
Number of channels		8 channels
Input range (resolution)	Thermocouple (resolution: 0.1 °C 32.18 °F)	K1: -100.0 to 600.0 °C -148.0 to 1112.0 °F / K2: -200.0 to 1000.0 °C -328.0 to 1832.0 °F J1: -100.0 to 400.0 °C -148.0 to 752.0 °F / J2: -200.0 to 750.0 °C -328.0 to 1382.0 °F T: -270.0 to 400.0 °C -270.0 to 752.0 °F / N: -270.0 to 1300.0 °C -270.0 to 2372.0 °F R: 0.0 to 1760.0 °C 32.0 to 3200.0 °F / S: 0.0 to 1760.0 °C 32.0 to 3200.0 °F B: 0.0 to 1820.0 °C 32.0 to 3308.0 °F / E: -270.0 to 1000.0 °C -270.0 to 1832.0 °F PL1: 0.0 to 1390.0 °C 32.0 to 2534.0 °F / WR65-26: 0.0 to 2315.0 °C 32.0 to 4198.0 °F
	Voltage	-10 to 10 V DC (resolution: 1/62,500) 0 to 5 V DC (resolution: 1/31,250) 1 to 5 V DC (resolution: 1/25,000) (Note 1) -100 to 100 mV DC (resolution: 1/62,500) Resolution: max. 16 bits
	Current	0 to 20 mA (resolution: 1/31,250) 4 to 20 mA (resolution: 1/25,000) (Note 1) Resolution: max. 16 bits
Conversion speed		5 ms/channel + 5 ms (Note 2) 25 ms/channel + 25 ms Add the drift compensation measuring time to the number of measuring channels.
Overall accuracy		±0.1 % F.S. or less (at 25 °C 77 °F) ±0.3 % F.S. or less (at 0 to +55 °C +32 to +131 °F)
Reference contact compensation accuracy		±1.0 °C 33.8 °F (with thermocouple input)
Input impedance		Voltage / current 1 MΩ / 250 Ω
Insulation method	Between input terminals and internal circuit	Photocoupler and isolated DC/DC converter
	Between channels	PhotoMOS relay
Conversion execution / non-execution channel setting		Selectable per channel unit
Input range change method		Selectable per channel
Digital processing	Averaging	Number of times, time, moving
	Scale conversion setting	Any value within ±30,000 (Voltage and current range only)
	Offset setting	Any value within ±3,000
	Gain setting	±10 %
Comparison of upper and lower limit values		Possible to make settings on a channel-by-channel basis.
Max. and min. value holding		Possible to make settings on a channel-by-channel basis.
Broken wire detection		Available
Connection method		Connector type terminal block

Notes: 1) The full scale (F.S.) ranges of accuracy are 1 to 5 V DC for voltage and 0 to 20 mA for current input, respectively.  
2) The AC noise removal is disabled.

Product name		Resistance temperature detector input unit
Item	Part No.	AFP7RTD8
Number of channels		8 channels
Input range (resolution)	Resistance temperature detector (resolution: 0.1 °C 32.18 °F)	Pt100 (1): -100.0 to 200.0 °C -148.0 to 392.0 °F Pt100 (2): -200.0 to 650.0 °C -328.0 to 1202.0 °F JPt100(1): -100.0 to 200.0 °C -148.0 to 392.0 °F JPt100(2): -200.0 to 650.0 °C -328.0 to 1202.0 °F Pt1000: -100.0 to 100.0 °C -148.0 to 212.0 °F
Conversion speed		25 ms/channel + 25 ms Add the drift compensation measuring time to the number of measuring channels.
Overall accuracy		±0.1 % F.S. or less (at 25 °C 77 °F) ±0.3 % F.S. or less (at 0 to +55 °C +32 to +131 °F)
Allowable signal source resistance		R.T.D. input: 30 Ω (three wires balanced)
Insulation method	Between input terminals and internal circuit	Photocoupler and isolated DC / DC converter
	Between channels	PhotoMOS relay
Conversion execution / non-execution channel setting		Selectable per channel unit
Input range change method		Selectable per channel
Digital processing	Averaging	Number of times, time, moving
	Offset setting	Any value within ±3,000
	Gain setting	±10 %
	Comparison of upper and lower limit values	Possible to make settings on a channel-by-channel basis.
Max. and min. value holding		Possible to make settings on a channel-by-channel basis.
Broken wire detection		Available
Connection method		Connector type terminal block



# High-speed counter units

## One of the fastest in industry added in lineup



### 1. Industry-leading class speed of 16 Mpps (for differential input and 2-phase, 4-multiple)

Accurate, real-time surveillance of inverter and motor rotation speed variation.

### 2. Supports 5 / 12 / 24 V DC and differential input.

Supports wide range of interface from 12 to 24 V DC, 5 V DC and differential input with one unit.

### 3. Powerful application support

Input pulse string frequency (period) can be measured inside the unit with built-in periodical pulse counter function. Built-in ring counter function can easily detect index table position. Line speed adjustment and work length measurement are available with built-in clock that allows accurate time measurement.

### 4. Various functions can be used without a ladder program

Capture function of count value	Finite difference calculation of capture value	Interrupt using comparison match
Comparison match and band comparison	Measurement of frequency and number of revolution	Reset of Z number and preset
Reset and preset of external signal	Built-in clock selection	

## Specifications

Item	Type	2 channels type	4 channels type	
	Part No.	AFP7HSC2T	AFP7HSC4T	
Input	Insulation method	Photocoupler		
	Rated input voltage	12 to 24 V DC / 3.5 to 5 V DC		
	Input impedance	24 V DC / 5 V DC	3.0 kΩ approx. / 390 Ω approx.	
	Usage voltage range	24 V DC / 5 V DC	10.8 to 26.4 V DC / 3.5 to 5.25 V DC	
	Min. ON voltage / Min. ON current	24 V DC / 5 V DC	10 V DC / 4 mA / 3.0 V DC / 4 mA	
	Min. OFF voltage / Min. OFF current	24 V DC / 5 V DC	2.0 V DC / 2 mA / 1.0 V DC / 0.5 mA	
	Input time constant setting	None, 0.1 μs, 0.2 μs, 0.5 μs, 1.0 μs, 2.0 μs and 10.0 μs		
	Number of counters		2 channels	4 channels
Count function	Counter type	Linear counter / Ring counter		
	Counting range	Signed 32-bit ( -2,147,483,648 to +2,147,483,647 )		
	Max. input frequency	4 MHz / 8 MHz for individual input (phases A and B) (Duty ratio 50 ±10 %) 4 MHz / 8 MHz for direction discrimination input (Duty ratio 50 ±10 %) 4 MHz / 8 MHz / 16 MHz for 2-phase input (Duty ratio 50 ±10 %, Phase shifting below 5 %)		
	Input signal	Phases A, B and Z		
	External I/O	Control signal input: 4 points (2 points/ch) External output: 4 points (2 points/ch)	Control signal input: 8 points (2 points/ch) External output: 8 points (2 points/ch)	
	Counter input type	Individual input: 1 multiple, 2-multiple Direction discrimination input: 1 multiple, 2-multiple 2-phase input: 1 multiple, 2-multiple, 4-multiple		
Measurement function	Frequency measurement function	Measures the intervals between the variations of count values, and calculates the frequency.		
Comparison function	Target value match function	Depending on the count direction, sets or resets the output when the counter value reaches the target value.		
External output	Comparison result output function	Outputs the result of comparison function.		
Other functions	Capture function	Acquires the current count value from the edges of input signals, and stores it in the capture 0 register or capture 1 register. The value of the specified capture register will be overwritten by a new value and the old value will be discarded every time a counter value is captured.		
	Interrupt input function	Available (2 points/ch, Max. 8 points/unit) <sup>(Note 1, 2)</sup>		

Notes: 1) The interrupt input function can be used for 8 points per unit and for a maximum of 8 units (max. 64 points) in the whole system. However, the entire scan time slows down as more interrupt programs are used. Minimize the use of interrupt programs.

2) The priority order for interrupt inputs is as follows; In a unit, from the smallest interrupt bit. In the whole system, from the smallest unit number.

# Positioning units



### 3. Dedicated configuration tool

Start positioning dedicated configuration tool using **Control FPIN GR7**. Parameter and positioning operation settings can be made easily. Test operation is also supported. Positioning operations can be checked even-while the CPU unit is in program mode.



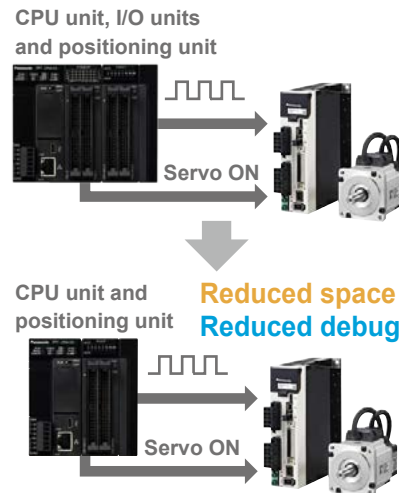
## Combined multi-axle control can be achieved at reduced cost.

### 1. Equipped with electronic cam and electronic gear functions

Ladder program is capable of controlling electronic cams and gears. Virtual axes are supported and operable without connecting to external encoders.

### 2. Organized wiring to servo amplifier

A servo ON output terminal is provided that allows simple and neat wiring to the servo amplifier. Also, wiring from the I/O unit is unnecessary, and a test run is possible by only a positioning soft tool.



## Performance specifications

Item	Specifications					
	2 axes type		4 axes type			
Part No.	AFP7PP02T	AFP7PP02L	AFP7PP04T	AFP7PP04L		
Output type	Transistor	Line driver	Transistor	Line driver		
Max. operation speed	500 kpps	4 Mpps	500 kpps	4 Mpps		
Number of axes controlled	2 axes		4 axes			
Interpolation control	2 axes linear interpolation and 2 axes circular interpolation		2 axes linear interpolation, 3 axes linear interpolation, 2 axes circular interpolation and 3 axes spiral interpolation			
Position command units	pulse μm (The minimum command unit can be selected from 0.1 μm or 1 μm.) inch (The minimum command unit can be selected from 0.00001 inch or 0.0001 inch.) degree (The minimum command unit can be selected from 0.1 degree or 1 degree.)					
Position command range	pulse: -1,073,741,823 to +1,073,741,823 pulse μm (0.1 μm): -107,374,182.3 to +107,374,182.3 μm μm (1 μm): -1,073,741,823 to +1,073,741,823 μm inch (0.00001 inch): -10,737,418.23 to +10,737,418.23 inch inch (0.0001 inch): -107,374,182.3 to +107,374,182.3 inch degree (0.1 degree): -107,374,182.3 to +107,374,182.3 degree degree (1 degree): -1,073,741,823 to +1,073,741,823 degree					
Speed command range	pulse: 1 to 32,767,000 pps μm: 1 to 32,767,000 μm/sec. inch: 0.001 to 32,767,000 inch/sec. degree: 0.001 to 32,767,000 rev/sec. *Specify an output speed that is below the maximum operating speed.					
Automatic operation	Position control	Position command method	Absolute (Absolute position designation), Increment (Relative position designation)			
		Acceleration / deceleration method	Linear acceleration / deceleration, S-curve acceleration / deceleration			
		Acceleration time	0 to 10,000 ms (in increments of 1 ms)			
		Deceleration time	0 to 10,000 ms (in increments of 1 ms)			
		Number of positioning tables per axis	Standard area: 600 points, expansion area: 25 points			
		Control method	Independent	PTP control (E point control, C point control), CP control (P point control), Speed control (J point control)		
			2-axis interpolation	Linear	E point, P point and C point controls: Specify synthesis speed or major axis speed	
				Circular	E point, P point and C point controls: center point or passing point	
			3-axis interpolation	Spiral	E point, P point and C point controls: Specify synthesis speed or major axis speed	
		Startup time	Standard area: 3 ms or less, expansion area: 5 ms or less			
Other function	Dwell time	0 to 32,767 ms (in increments of 1 ms)				

Item	Specifications			
	2 axes type	4 axes type		
Part No.	AFP7PP02T	AFP7PP02L	AFP7PP04T	AFP7PP04L
Manual operation	JOG operation	Acceleration / deceleration method	Linear acceleration / deceleration, S-curve acceleration / deceleration	
		Acceleration / deceleration time	0 to 10,000 ms (in increments of 1 ms)	
	Home return	Acceleration & deceleration method	Linear acceleration / deceleration	
		Acceleration / deceleration time	0 to 10,000 ms (in increments of 1 ms)	
Pulser operation	Return methods	7 methods: DOG method (3 types), Limit method (2 types), Data set method, Z-phase method		
		Speed command range	Operates in synchronization with pulser input	
Stop function	Deceleration stop	Deceleration time	Deceleration time of running operation	
	Emergency stop	Deceleration time	0 to 10,000 ms (in increments of 1 ms)	
	Limit stop	Deceleration time	0 to 10,000 ms (in increments of 1 ms)	
	Error stop	Deceleration time	0 to 10,000 ms (in increments of 1 ms)	
	System stop	Deceleration time	Immediate stop (0 ms), all axes stop	
Synchronous operation function	Synchronous basic setting	Master axis	Existing axes, virtual axes or pulse input (1 to 4)	
		Slave axis	Max. 2 axes	Max. 4 axes
	Electronic gear function	Operation setting	Gear ratio setting	
		Operation method	Direct method, Acceleration / deceleration method	
Electronic clutch function	Clutch ON trigger	Contact input		
		Clutch method	Direct method, Linear slip method	
	Electronic cam function	Cam curve	Select from 20 types Multiple curves can be specified within a phase (0 to 100%).	
Other specifications	Resolution	Number of cam patterns	1024, 2048, 4096, 8192, 16384, 32768	
		Number of cam patterns	4 to 16 (Depends on resolution)	
Build-in servo ON output	Output mode	1 pulse output (pulse + direction), 2 pulse outputs (CW / CCW)		
	High-speed counter function (Note)	Countable range	-1,073,741,823 to +1,073,741,823 pulse	
		Input mode	Phase difference input, Direction distinction input, Individual input (transfer multiple available for each)	

Note: Pulser input and high-speed counter functions cannot be used simultaneously, as the same pulse input terminal is used.

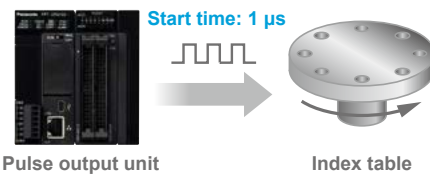
# Pulse output units

## Super high-speed positioning control achieved



### 1. Startup speed is fastest in industry\*

The pulse output request is received from the CPU unit and the startup speed up to output of the pulse is the industry's fastest at 1  $\mu$ s. Tact time is reduced with repeat of short-distance positioning operations, etc.



### 2. Neater wiring to servo and amplifier

Equipped with a servo ON output terminal, wiring to the servo amplifier is neater.

### 3. Replacement from FP2 series is easy

Usage is same as the previous FP2 positioning unit (multi-function type). Program transfer is easy.

\* Based on our research as of October, 2013

## Performance specifications

Item		AFP7PG02T	AFP7PG04T	AFP7PG02L	AFP7PG04L
Output type		Transistor		Line driver	
Occupied points		Each 32 points of I/O	Each 64 points of I/O	Each 32 points of I/O	Each 64 points of I/O
Number of axes controlled		2 axes, independent	4 axes, independent	2 axes, independent	4 axes, independent
Position command		Pulse (The program specifies whether increment or absolute is used.)			
Max. pulse count		Signed 32 bits (+2,147,483,647 to -2,147,483,648 pulses)			
Speed command		Command range		1 pps to 500 kpps (can set in 1 pps)	
Acceleration/deceleration command		Acceleration/deceleration		Linear acceleration / deceleration, S acceleration / deceleration	
"S" Acceleration/deceleration		Can select from sin curve, secondary curve, cycloid curve and third curve.			
Acceleration/deceleration time		0 to 32,767 ms (can set in 1 ms)			
Home return		Home return speed			
Input signal		Speed setting possible (changes return speed and search speed)			
Output signal		Home input, near home input, limit input (+), limit input (-)			
Operation mode		Deviation counter clear signal			
Operation mode		<ul style="list-style-type: none"> <li>E point control (linear and S acceleration/decelerations)</li> <li>P point control (linear and S acceleration/decelerations)</li> <li>Home return operation (home search)</li> <li>JOG operation <sup>(Note 1)</sup></li> <li>JOG positioning operation</li> <li>Pulsar input function <sup>(Note 2)</sup> transfer multiplication ratio (<math>\times 1, \times 2, \times 5, \times 10, \times 50, \times 100, \times 500, \times 1000</math>)</li> <li>Real-time frequency change</li> <li>Infinity output</li> </ul>			
Startup time		0.02 ms, 0.005 ms or 0.001 ms selecting possible <sup>(Note 3)</sup>			
Output interface		Output mode			
High-speed counter function <sup>(Note 2)</sup>		1 pulse output (pulse and sign), 2 pulse output (CW and CCW)			
Countable range		Signed 32 bits (+2,147,483,647 to -2,147,483,648 pulse)			
Input mode		Two-phase input, direction distinction input, individual input (with multiplier function mode)			
Other functions		<ul style="list-style-type: none"> <li>Startup using I/O contact</li> <li>Built-in limit (+) and limit (-)</li> <li>With servo ON output</li> </ul>			
External power supply		Voltage			
Current		21.6 to 26.4 V DC			
Current		50 mA (at 24 V)	90 mA (at 24 V)	50 mA (at 24 V)	90 mA (at 24 V)

Notes: 1) When linear acceleration/deceleration operation is selected, it is possible to change the target speed during operation.

2) Since the pulsar input function and the high-speed counter function use the same pulse input terminal, both functions cannot be used at the same time.

3) Startup time can be changed using the common memory control code setting. The factory (default) setting is 0.02 ms. Startup time is defined as the time between startup and output of the first pulse.

# PHLS (remote I/O) units



## Speedy, resistant to noise Remote I/O Line up

### 1. High speed communication

A 12 Mbps maximum transmission speed can be selected. Fast response at update cycle of 1,000 points / 2 ms can be achieved.

### 2. High resistance to noise

Data can be transferred accurately, even in inadequate wiring environments.

### 3. Various types of compact slave units

Compact slave units (60 × 70 × 40 mm  $2.36 \times 2.76 \times 1.57$  in) are smaller than common screw terminal types and are lined up to contribute to space savings. A wide variety of slave units are available.

## Communication specifications (common)

Item	Specifications
Communication method	Two-wire system half duplex
Insulation method	Pulse transformer insulation
Communication speed	6 Mbps / 12 Mbps
Synchronous method	Bit synchronization
Error check	CRC-12
Communication distance	Total length 200 m <b>656 ft</b> (at 6 Mbps) / 100 m <b>328 ft</b> (at 12 Mbps) <small>(Note)</small>
Connection method	Multi-drop method
Impedance	100 Ω
Terminator	Mounted on unit
External interface	Master unit: terminal block (2 channels) Slave unit (standard type): screw-type terminal block Slave unit (compact type): connector-type terminal block

Note: Performance when the recommended cable is used. Use of the recommended cable is necessary to achieve the maximum transmission distance and number of slave units.

## Input side specifications

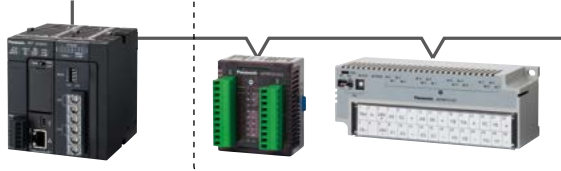
Item	Specifications	
	Standard type	Compact type
Insulation method	Photocoupler insulation	Non-isolated
Rated input voltage	24 V DC	
Rated input current	3 mA approx.	4.3 mA approx.
Input impedance	7.5 kΩ approx.	5.6 kΩ approx.
Min. ON voltage / Min. ON current	15 V / 2 mA	17 V / 2 mA
Max. OFF voltage / Max. OFF current	5 V / 0.5 mA	
Response time	OFF→ON	1 ms or less
	ON→OFF	1 ms or less

## Introduction of remote analog units

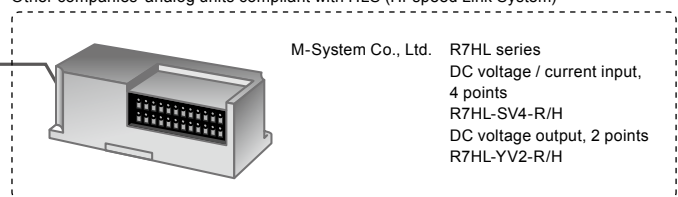
Our PHLS (remote I/O) unit complies with HLS (Hi-speed Link System) specification. This product is used when you want to connect analog units from other manufacturers that comply with the HLS specification.

PHLS (remote I/O) master unit    Our product PHLS (remote I/O) slave unit

AFP7PHLSM



Other companies' analog units compliant with HLS (Hi-speed Link System)



M-System Co., Ltd. R7HL series  
DC voltage / current input, 4 points  
R7HL-SV4-R/H  
DC voltage output, 2 points  
R7HL-YV2-R/H

Notes: 1) When using another company's HLS-compliant product, be sure to verify that the units operate correctly with the installed target equipment. Please contact the respective manufacturers for product details.  
2) Units other than the analog units shown above can also be connected. The following shows the communication specifications of our PHLS (remote I/O) master unit. Please select a unit that meets the specifications.

## Output side specifications (except relay)

Item	Specifications	
	Standard type	Compact type (except relay)
Insulation method	Photocoupler insulation	Non-isolated
Output type	Sink type (Open collector output)	
Rated load voltage	20.4 to 28.8 V DC	
Max. control capacity	0.1 A/point	
Max. surge current	0.5 A	
OFF state leakage current	0.1 mA or less	
ON state maximum voltage drop	0.5 V or less	
Repose time	OFF→ON	0.05 ms or less
	ON→OFF	0.5 ms or less
Surge absorber	Zener diode	
Short circuit protection	None	

## Output side specifications (relay)

Item	Specifications	
	Compact type (relay)	
Insulation method	Relay insulation	
Rated control capacity	1 A 250 V AC (2 A/common) 1 A 30 V DC (2 A/common)	
Min. load	0.1 mA 100 mV (resistive load)	
Repose time	OFF→ON	10 ms or less
	ON→OFF	5 ms or less
Life time	Mechanical life	2 × 10 <sup>7</sup> operations or more
	Electrical life	1 × 10 <sup>5</sup> operations or more (switching frequency: 20 times/minute)
Surge absorber	None	
Short circuit protection	None	

Communication method	Transmission speed	Connection method
Half-duplex communication (incompatible with full-duplex communication)	6 Mbps / 12 Mbps	Terminal block (connection via screw terminal)

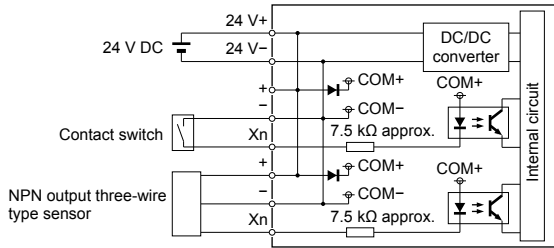


## I/O circuit diagrams

### Standard type (screw-type terminal block)

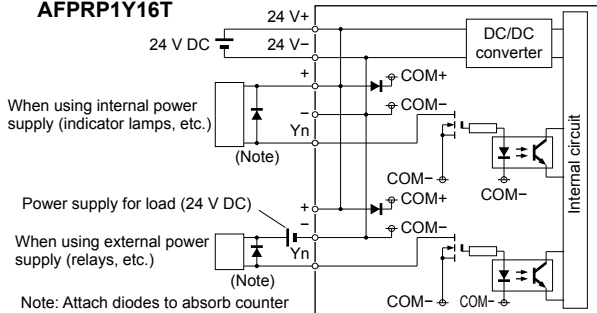
[Input type]

#### AFPRP1X08D2 / AFPRP1X16D2



[Output type]

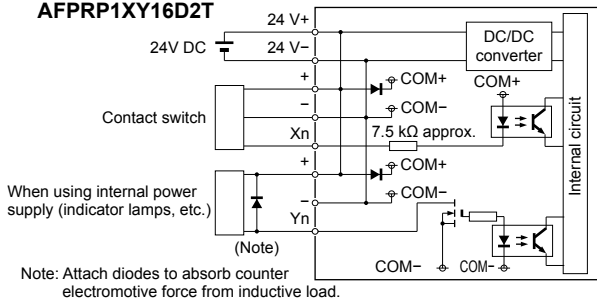
#### AFPRP1Y16T



Note: Attach diodes to absorb counter electromotive force from inductive load.

[I/O mixed type]

#### AFPRP1XY16D2T

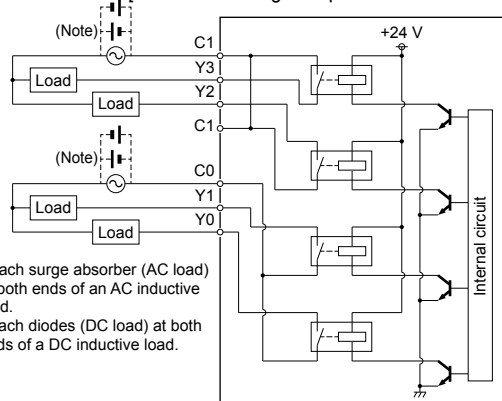


Note: Attach diodes to absorb counter electromotive force from inductive load.

### Compact type (relay output)

#### AFPRP2Y04R

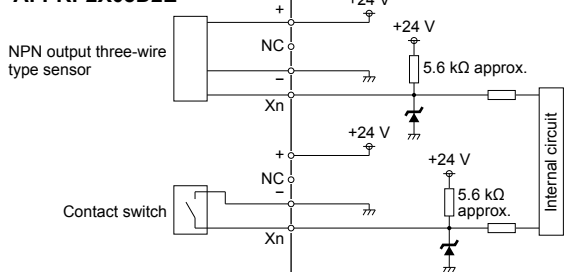
[When connecting to separated common terminal]



Note: Attach surge absorber (AC load) at both ends of an AC inductive load. Attach diodes (DC load) at both ends of a DC inductive load.

### Compact type (e-CON)

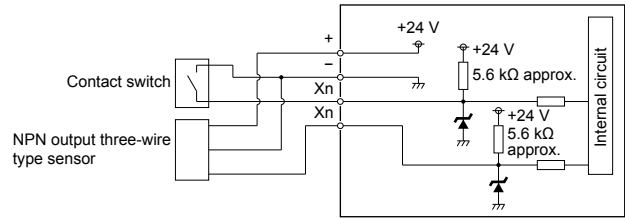
#### AFPRP2X08D2E



### Compact type (connector-type terminal block)

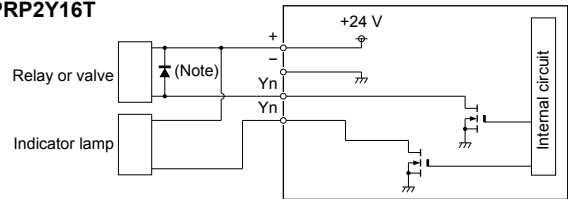
[Input type]

#### AFPRP2X16D2



[Output type]

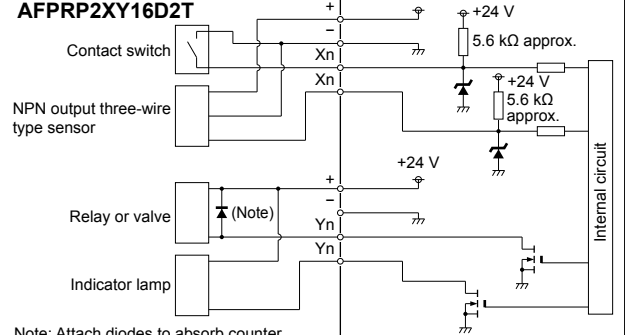
#### AFPRP2Y16T



Note: Attach diodes to absorb counter electromotive force from inductive load.

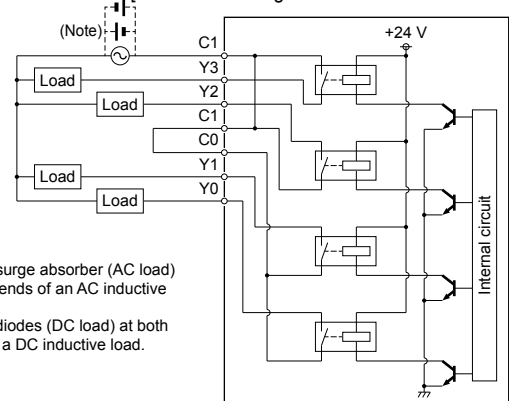
[I/O mixed type]

#### AFPRP2XY16D2T



Note: Attach diodes to absorb counter electromotive force from inductive load.

[When connecting to shared common terminal]



Note: Attach surge absorber (AC load) at both ends of an AC inductive load. Attach diodes (DC load) at both ends of a DC inductive load.



# Power supply units



Announce system errors using the built-in external alarm.

## 1. Equipped with system error alarm contact

Output contact for system error external alarm is provided. If a power supply unit is used concurrently, no additional units are required.

## ■ Specifications

Item	AFP7PSA1	AFP7PSA2
Rated input voltage		100 to 240 V AC
Allowable input voltage range		85 to 264 V AC
Input power supply frequency		47 to 63 Hz
Inrush current		40 A or less (Note 2)
Input current	0.75 A or less	1.25 A or less
Rated output current (at 24 V)	1.0 A	1.8 A
Alarm contact capacity		1 A (30 VDC)
Remaining lifespan counting function	Not available	Available (Note 1)

Notes: 1) Alarm by CPU unit  
2) On cold starting  
3) Power supply unit cannot be used with AFP7CPS21 CPU unit.

# Serial communication unit



Lineup of serial communication unit that can be expanded with a serial communication cassette.

## 1. Two serial communication add-on cassettes can be installed

A total of five types of cassettes can be freely combined in a combination of RS232C, RS422 or RS485. Up to 4 channels can be supported in one unit.

## 2. High expandability

The number of serial communication channels can be increased by connecting a CPU unit. A CPU unit can be connected to maximum of 8 serial communications units.

Note: To connect serial communication unit, the CPU unit has to have firmware Ver. 1.2 or later, and to be running FPWIN GR7 Ver. 1.3 or later.

## ■ Specifications

Item	AFP7NSC
Number of communication cassette installations	Max. 2 cassettes
Number of installations to CPU unit	Max. 8 units

Note: Ethernet cassette is not supported.

# General specifications on each units

## Common general specifications

Item	Specifications
Ambient temperature	0 to +55 °C +32 to +131 °F, at storage: -40 to +70 °C -40 to +158 °F
Ambient humidity	10 to 95 % RH (at 25 °C 77 °F, no condensation), at storage: 10 to 95 % RH (at 25 °C 77 °F, no condensation)
Breakdown voltage	500 V AC for 1 minute <sup>(Note 2)</sup> <sup>(Note 3)</sup>
Insulation resistance	100 MΩ or more (at 500 V DC)
Vibration resistance	5 to 8.4 Hz, single amplitude of 3.5 mm 0.138 in, 1 sweep/min. (IEC61131-2); 8.4 to 150 Hz, constant acceleration of 9.8 m/s <sup>2</sup> , 1 sweep/min. (IEC61131-2), 10 times each in X, Y, and Z directions
Shock resistance	147 m/s <sup>2</sup> or more, 3 times each in X, Y, and Z directions (IEC61131-2)
Noise immunity	1,000 V [p-p] with pulse width 50 ns and 1 μs (using a noise simulator)
Operating condition	Free from corrosive gasses and excessive dust

Notes: 1) Please refer to the unit's specification sheet for details of breakdown voltage and insulation resistance.  
 2) Relay output of input and output unit: 2,300 V AC for 1 minute  
 3) Between analog input channels of analog input unit: 200 V AC for 1 minute Between channels of output unit: non insulation

## Individual general specifications

Item	CPU units				Expansion units	
	AFP7CPS41E(S)	AFP7CPS31E(S)	AFP7CPS31(S)	AFP7CPS21	AFP7EXPM	AFP7EXPS
Rated voltage range	20.4 to 28.8 V DC				-	20.4 to 28.8 V DC
Current consumption	200 mA or less		150 mA or less		120 mA or less	100 mA or less
Net weight	220 g approx.		180 g approx.		120 g approx.	200 g approx. (with end unit)
	(with terminal block and end unit)					

Item	Communication cassettes						Function cassettes		
	AFP7CCS1	AFP7CCS2	AFP7CCM1	AFP7CCM2	AFP7CCS1M1	AFP7CCET1	AFP7FCAD2	AFP7FCA21	AFP7FCTC2
Rated voltage range	-	-	-	-	-	-	-	-	-
Current consumption	35 mA or less <sup>(Note 1)</sup>	60 mA or less <sup>(Note 1)</sup>	60 mA or less <sup>(Note 1)</sup>	90 mA or less <sup>(Note 1)</sup>	70 mA or less <sup>(Note 1)</sup>	35 mA or less <sup>(Note 1)</sup>	40 mA or less <sup>(Note 1)</sup>	75 mA or less <sup>(Note 1)</sup>	45 mA or less <sup>(Note 1)</sup>
Net weight	25 g approx. (with terminal block)				20 g approx.		25 g approx. (with terminal block)		

Item	Digital input and output units											
	AFP7X16DW	AFP7X32D2	AFP7X64D2	AFP7Y16R	AFP7Y16T	AFP7Y32T	AFP7Y64T	AFP7Y16P	AFP7Y32P	AFP7Y64P	AFP7XY64D2T	AFP7XY64D2P
Rated voltage range	-	-	-	-	-	-	-	-	-	-	-	-
Current consumption	25 mA or less	30 mA or less	35 mA or less	180 mA or less	35 mA or less	50 mA or less	75 mA or less	35 mA or less	50 mA or less	75 mA or less	55 mA or less	55 mA or less
Net weight	125 g approx.	95 g approx.	110 g approx.	180 g approx.	125 g approx.	95 g approx.	115 g approx.	125 g approx.	95 g approx.	115 g approx.	115 g approx.	115 g approx.

Item	Analog input and output units			Temperature input units		High-speed counter units	
	AFP7AD4H	AFP7DA4H	AFP7AD8	AFP7TC8	AFP7RTD8	AFP7HSC2T	AFP7HSC4T
Rated voltage range	-	-	-	-	-	-	-
Current consumption	100 mA or less	250 mA or less	85 mA or less	80 mA or less	65 mA or less	65 mA or less	65 mA or less
Net weight	130 g approx.	130 g approx.	130 g approx.	145 g approx.	145 g approx.	130 g approx.	130 g approx.

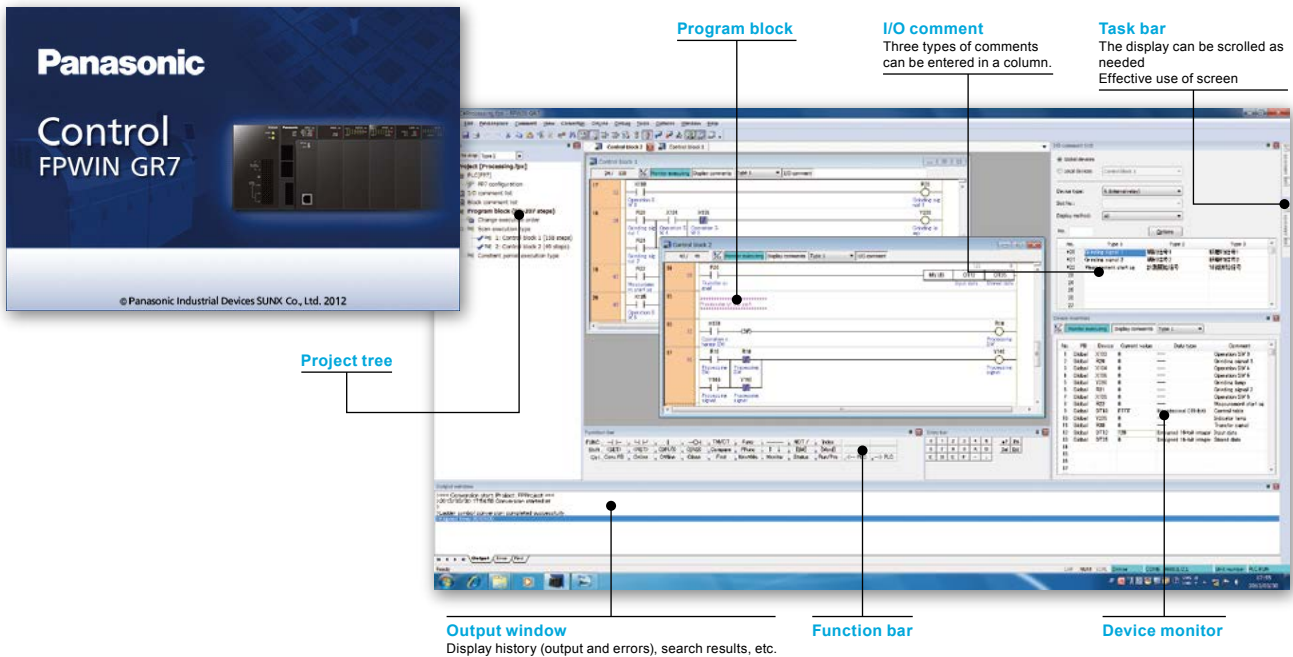
Item	Positioning units				Pulse output units				Serial communication unit	Power supply units	
	AFP7PP02T	AFP7PP04T	AFP7PP02L	AFP7PP04L	AFP7PG02T	AFP7PG04T	AFP7PG02L	AFP7PG04L	AFP7NSC	AFP7PSA1	AFP7PSA2
Rated voltage range	-	-	-	-	-	-	-	-	-	100 to 240 V AC	
Current consumption	120 mA or less	120 mA or less	120 mA or less	120 mA or less	65 mA or less	65 mA or less	65 mA or less	65 mA or less	50 mA or less (when without add-on cassette)	750 mA or less	1,250 mA or less
Net weight	145 g approx.	145 g approx.	145 g approx.	145 g approx.	130 g approx.	150 g approx.	130 g approx.	150 g approx.	110 g approx.	240 g approx.	290 g approx.

Item	PHLS (remote I/O) units									
	AFP7PHLSM	AFPRP1X08D2	AFPRP1X16D2	AFPRP1Y16T	AFPRP1XY16D2T	AFPRP2X08D2E	AFPRP2X16D2	AFPRP2Y16T	AFPRP2XY16D2T	AFPRP2Y04R
Rated voltage range	20.4 to 28.8 V DC									
Current consumption	85 mA or less	100 mA or less	150 mA or less	75 mA or less	120 mA or less	100 mA or less	170 mA or less	40 mA or less	110 mA or less	85 mA or less
Net weight	110 g approx.	140 g approx.	210 g approx.	210 g approx.	210 g approx.	75 g approx.	75 g approx.	75 g approx.	75 g approx.	75 g approx.

Note: 1) This value is the increase in CPU current consumption.

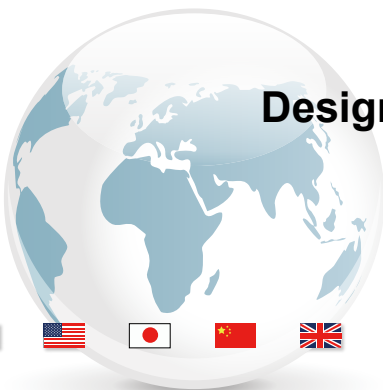
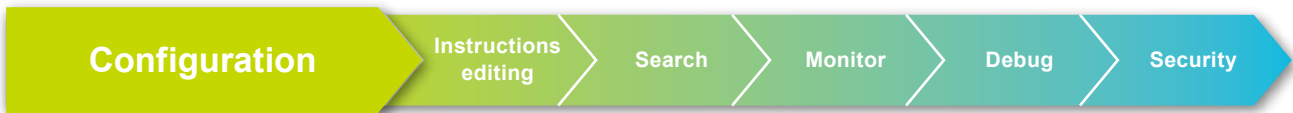
Control FPCWIN GR7

# Save Time on Programming with User-Friendly Software



Configuration, editing programming, searching, monitoring, debugging, security, etc.  
PLC programming demands a lot of time and effort.  
Many programmers get hung up on trying out different configurations, consulting the manual, and re-writing repetitive code blocks.  
The **Control FPCWIN GR7** programming software is designed to eliminate these inefficiencies and minimize programming complexity.

## Software helps reduce time and effort in various work situations.



Designed to boost global expansion

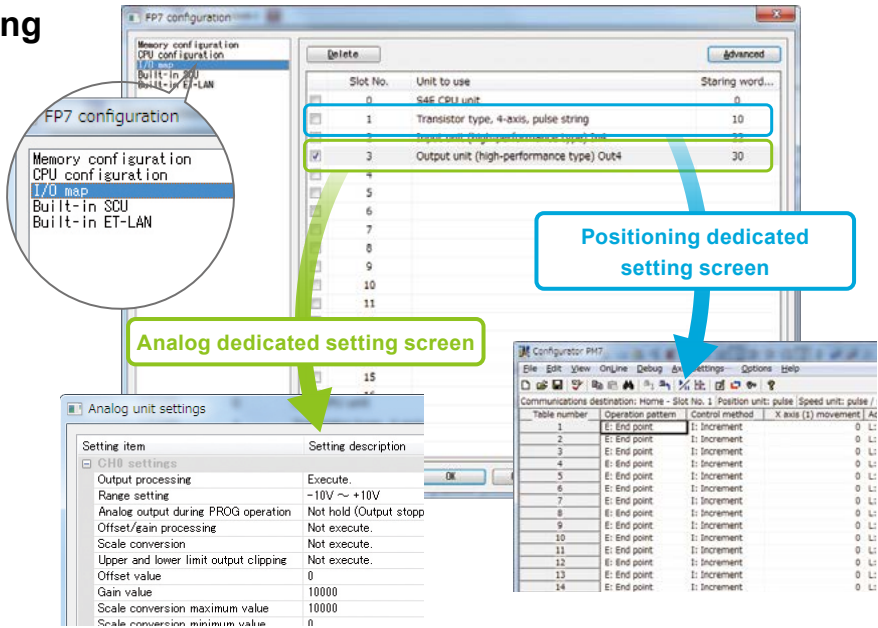


## Control FPCW GR7

### Save Time on Initial Setting

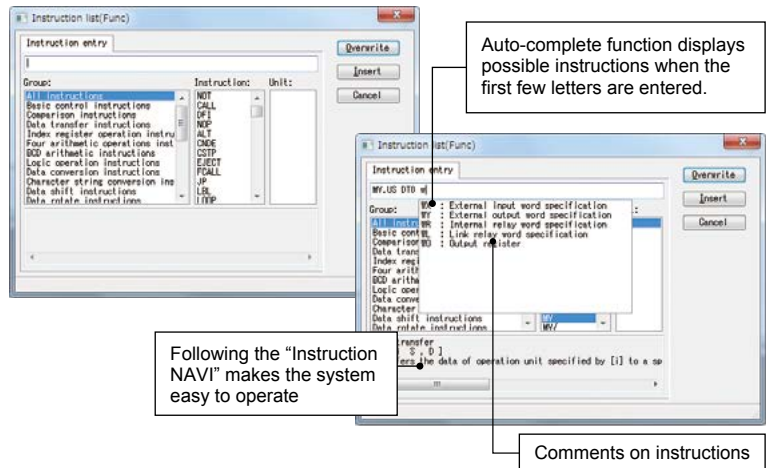
Configuration settings, including those for installed units, can be made directly from the same screen.

This eliminates the need to use other software to accomplish this task.



### Save Time and Effort by using the "Instructions NAVI".

Enter high level instructions by simply selecting the correct order as dictated by the "Instructions NAVI". The help dialog also supports the selection of high level instructions.

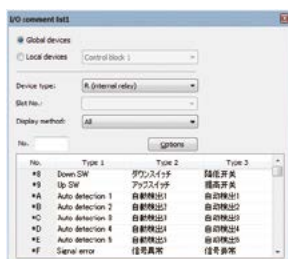


### Save Time When Cross-Checking Instructions

Comments are directly switchable on the main screen. Various tasks, such as comment rewriting by end users, can be streamlined.

Bulk imported and exported in CSV format comments enables editing of text only in comments. All languages supported by Windows are available.

\*Windows is a trademark or registered trademark of Microsoft Corporation in the United States and other countries.

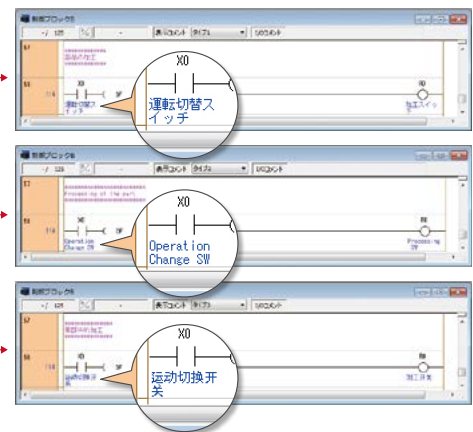


	Example 1	Example 2
Type 1	For design	Japanese
Type 2	For production	English
Type 3	For maintenance	Chinese

Program blocks, block comments, I/O comments and annotation comments can be entered in three types.

Displayed comments on ladder diagram can be switched.

Three comment types can be registered.



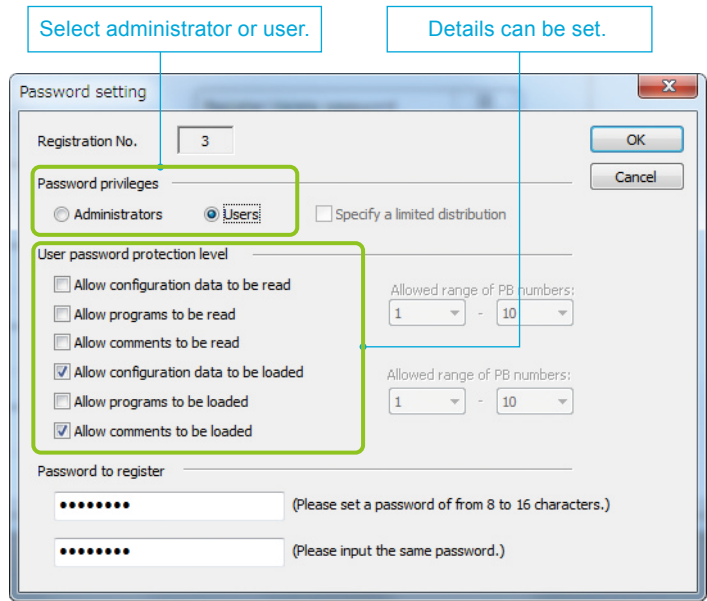
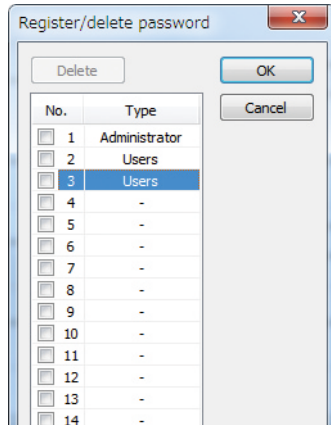
# Programming software

## Control F7WIN GR7

### Save Time When Setting up Program Security

Access rights to the CPU unit can be made more stringent for settings, to prevent easy access to editing, or program outflow.

16 separate rights may be set.



### Save Time When Matching Programs

Programs stored in the CPU unit and on the PC can be cross-checked to identify any non-matching portions. This feature is useful for program search and for finding where modifications are needed.

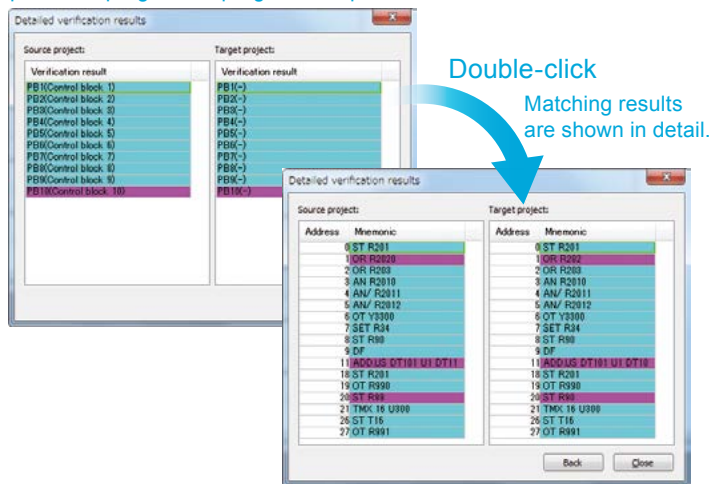
Mismatching program blocks are indicated in pink after program-to-program comparison.

#### Application example 1

If you want to confirm that programs on the CPU unit and the PC are identical, you can make an instant check.

#### Application example 2

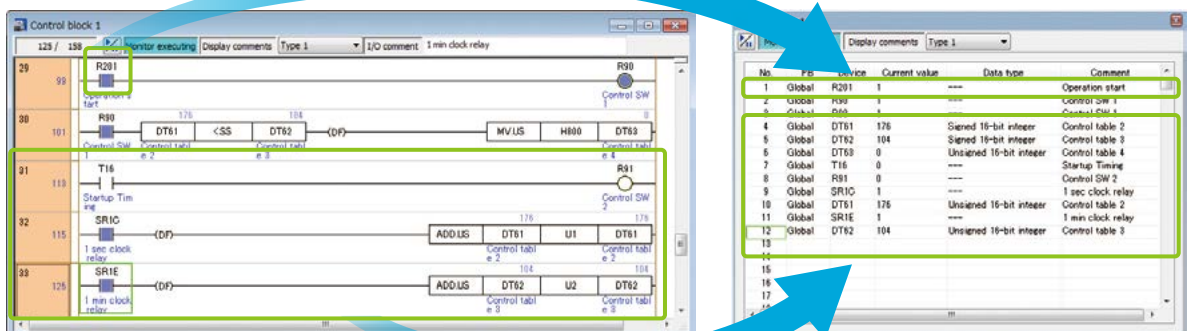
Content edited by other designers can be checked.



### Save Time When Monitoring Operations

Multipoint monitoring devices can be registered easily. It allows you to speed up the monitoring process.

Drag and drop for a single point.



Copy and paste for a specified range.



## Control FPWIN Pro7

# Control FPWIN Pro7 (IEC61131-3 compliant Windows version software)


## Programming software of PLC open certification corresponds to FP7.

Control FPWIN Pro is the Panasonic programming software developed according to the international standard IEC 61131-3 (for Windows® XP / Vista / 7).

Control FPWIN Pro is the universal software for all Panasonic PLC's

- Programs written in **Control FPWIN Pro 6** or earlier versions will run with **Control FPWIN Pro 7**
- Programs are compatible across **FP** series PLCs, e.g. **FP0R** will run with minor adjustments on **FPΣ** (Sigma) and **FP7** PLCs
- **FP7** PLCs and **Control FPWIN Pro 7** offer the same flexible choice of editors and allow you to select the programming language you are most familiar with.


\*Windows, Windows XP, Vista and 7 are trademarks or registered trademarks of Microsoft Corporation in the United States and other countries.



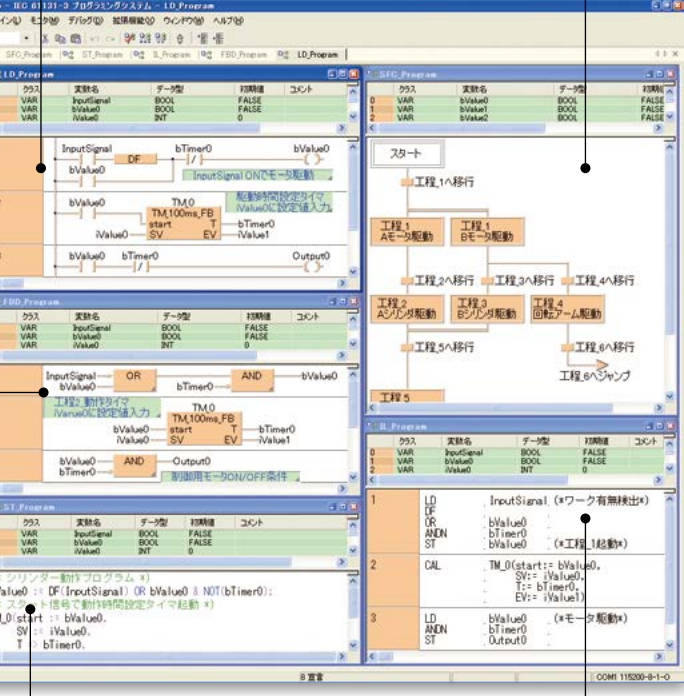
**Control FPWIN Pro7**  
Ver. 7.0

© Panasonic Industrial Devices SUNX Co., Ltd. 1995-2014  
Made in Japan


**LD**  
Ladder Diagram



**SFC**  
Sequential Function Chart



**FBD**  
Function Block Diagram



**ST**  
Structured Text



**IL**  
Instruction List



- **Five programming languages can be used.**  
Programming can be done using the language most familiar to the developer or using the language most suited to the process to be performed.  
High-level (structured text) languages that allow structuring, such as C, are supported.  
5 programming languages: IL (Instruction List), LD (Ladder Diagram), FBD (Function Block Diagram), SFC (Sequential Function Chart), ST (Structured Text)
- **Easy to reuse well-proven programs**  
Efficiency when writing programs has been greatly increased by being able to split programming up for each function and process using structured programming.
- **Keep know-how from getting out**  
By "black boxing" a part of a program, you can prevent know-how from leaking out and improve the program's maintainability.
- **Source program from PLC can be uploaded.**  
Serviceability is improved by being able to read programs and comments from a PLC.
- **Programming for all models in the FP series possible**

# Programming software

## Control FPCWIN Pro7

---

- 4 languages are fully supported: English, Japanese, Korean, Chinese
- Well-structured through program organization units, task and project management
- Remote programming, service and diagnostics via modem or Ethernet
- Extensive comments and online documentation created hand in hand with the program
- Min. program size through optimized compiler
- Powerful debugging and monitoring tools provide information on the current status of the PLC.
- Comprehensive printed documentation and support for function blocks and libraries help to get your hardware running in record time while maintaining rigorous quality standards.
- Reuse of functions and function blocks saves time.

## Control FPCWIN Pro and its comprehensive, powerful libraries

---

The PLC programming software **Control FPCWIN Pro** has been evolving for over 15 years.

As expected, the latest version of the software includes even more function blocks to help you efficiently program your PLC.

The innovations of this version include simplified handling of analog units, serial communication, the integrated clock and **GT** series programmable displays.

The online help was also improved in several key areas:

- Tables for slot number and corresponding address ranges are provided for analog expansion units.
- Explanations for DIP switch settings
- A/D value assignment tables
- Wiring instructions

Additional function blocks for simplifying work with analog values, e.g.:

- Scaling
- Averaging
- Assigning addresses for expansion units

The new function blocks for serial communication cover 90 % of all practical applications, except for telecontrol.

Moreover, diverse tasks for **GT** series programmable displays are now easy to manage,

e.g. changing screens, adjusting brightness, or controlling control bits and words.

Working with times and dates as well as calculations involving times and dates are now extensively supported.

The editors, such as the global variable list editor, offer quick info about PLC addresses, which makes adjusting addresses in the variable declarations as easy as pie.

You can drag & drop variables, function blocks, etc. from the navigation and selection panes into the program editors.

You can copy & paste example programs in the online help into your editor and modify them as necessary.

# Product types

## CPU units

Product name	Standard program capacity	Max. program capacity	Operation speed	Ethernet function (Note 2)	SD memory card function	Encryption function (Note 3)	Part No.	
FP7 CPU units		196 k steps	234 k steps	From 11 ns	Built-in	Built-in	–	AFP7CPS41E
		120 k steps	120 k steps	From 11 ns	Built-in	Built-in	–	AFP7CPS31E
		120 k steps	120 k steps	From 11 ns	–	Built-in	–	AFP7CPS31
	Security enhanced type	196 k steps	234 k steps	From 11 ns	Built-in	Built-in	Built-in	AFP7CPS41ES
		120 k steps	120 k steps	From 11 ns	Built-in	Built-in	Built-in	AFP7CPS31ES
		120 k steps	120 k steps	From 11 ns	–	Built-in	Built-in	AFP7CPS31S
	High cost performance model	64 k steps	64 k steps	From 14 ns	–	–	–	AFP7CPS21

Notes: 1) One End unit is attached to the CPU unit.

2) Ethernet function includes FTP server / client function, Web server function, HTTP client function, E-mail sending function and EtherNet/IP compatibility. Ethernet is a registered trademark of Fuji Xerox Co., Ltd. and Xerox Corporation.

3) When exporting to China, please use a CPU that does not have an encryption function.

4) For CPU units with encryption function, please use the security enhanced type programming tools.

## Expansion units

Product name	Specifications	Part No.
FP7 expansion master unit	Expansion of up to 3 slave units possible	AFP7EXPM
FP7 expansion slave unit (Note 1)	Up to 16 units can be connected to 1 slave unit.	AFP7EXPS
Expansion cables	Length: 0.5 m <a href="#">1.640 ft</a>	AFP7EXPCR5
	Length: 1 m <a href="#">3.281 ft</a>	AFP7EXPC01
	Length: 3 m <a href="#">9.843 ft</a>	AFP7EXPC03
	Length: 10 m <a href="#">32.808 ft</a>	AFP7EXPC10

Notes: 1) One End unit is attached to the Expansion slave unit.

2) Expansion unit cannot be used with the AFP7CPS21 CPU unit.

## Add-on cassettes

Product name	Specifications	Part No.
FP7 communication cassettes	RS232C, 1 channel (insulated)	AFP7CCS1
	RS232C, 2 channels (insulated)	AFP7CCS2
	RS422 or RS485, 1 channel (insulated)	AFP7CCM1
	RS422 or RS485, 2 channels (insulated)	AFP7CCM2
	RS232C, 1 channel (insulated) and RS485, 1 channel (insulated)	AFP7CCS1M1
	Ethernet 100Base-TX / 10Base-T	AFP7CCET1
FP7 function cassettes	Analog input, 2 channels, voltage / current	AFP7FCAD2
	Analog input and output, input: 2 channels, output: 1 channel	AFP7FCA21
	Thermocouple input, 2 channels K / J	AFP7FCTC2

## Power supply units

Product name	Input specifications	Output specifications	Other functions	Part No.
FP7 power supply units	100 to 240 V AC	24 V DC, 1.0 A	System error alarm output contact	AFP7PSA1
	100 to 240 V AC	24 V DC, 1.8 A	System error alarm output contact and remaining lifespan counting function	AFP7PSA2

Note: Power supply unit cannot be used with the AFP7CPS21 CPU unit.

## Input and output units

Product name	Type	Number of points	Connection method	Specifications	Part No.
FP7 input units	DC input	16 points	Terminal block	12 to 24 V DC, common polarity: +/- common, input time constant setting	AFP7X16DW
		32 points	MIL connector	24 V DC, common polarity: +/- common, input time constant setting	AFP7X32D2
		64 points	MIL connector	24 V DC, common polarity: +/- common, input time constant setting	AFP7X64D2
FP7 output units	Relay output	16 points	Terminal block	2 A/point, 5 A/common, 16 points/common (without relay socket)	AFP7Y16R
		16 points	Terminal block	Load current: 1.0 A, 5 A/common, 16 points/common	AFP7Y16T
		32 points	MIL connector	Load current: 0.3 A, 3.2 A/common, 32 points/common	AFP7Y32T
	Transistor output, sink (NPN)	64 points	MIL connector	Load current: 0.3 A / 0.1 A, mixed 3.2 A / common, 32 points/common	AFP7Y64T
		16 points	Terminal block	Load current: 1.0 A, 5 A/common, 16 points/common	AFP7Y16P
		32 points	MIL connector	Load current: 0.3 A, 3.2 A/common, 32 points/common	AFP7Y32P
FP7 input and output mixed units	DC input transistor output, sink (NPN)	Input: 32 points	MIL connector	Input: 24 V DC, 32 points/common Output: load current: 0.3 A / 0.1 A, mixed 3.2 A / common, 32 points/common	AFP7XY64D2T
		Output: 32 points			
	DC input transistor output, source (PNP)	Input: 32 points Output: 32 points	MIL connector	Input: 24 V DC, 32 points/common Output: load current: 0.3 A / 0.1 A, mixed 3.2 A / common, 32 points/common	AFP7XY64D2P

## Analog input and output units

Product name	Specifications	Number of channels	Part No.
FP7 analog input unit (High-speed and multi-channel type)	Voltage / current, conversion rate: 25 $\mu$ s/channel, resolution: max. 16 bits, accuracy: $\pm 0.1$ % F.S. or less (at 25 °C 77 °F)	8 channels	AFP7AD8
FP7 analog input unit (High-speed and high-accuracy type)	Voltage / current, conversion rate: 25 $\mu$ s/channel, resolution: max. 16 bits, accuracy: $\pm 0.05$ % F.S. or less (at 25 °C 77 °F), insulation between channels	4 channels	AFP7AD4H
FP7 analog output unit (High-speed and high-accuracy type)	Voltage / current, conversion rate: 25 $\mu$ s/channel, resolution: max. 16 bits, accuracy: $\pm 0.05$ % F.S. or less (at 25 °C 77 °F), insulation between channels	4 channels	AFP7DA4H

# Product types

## Temperature input units

Product name	Specifications	Number of channels	Part No.
<b>FP7</b> thermocouple multiple analog input unit	Thermocouple (K, J, T, N, R, S, B, E, PLII and WRe5-26), voltage / current, conversion rate: 5 ms/channel, resolution: max. 16 bits, accuracy: $\pm 0.1\%$ F.S. (at 25 °C 77 °F), insulation between channels	8 channels	<b>AFP7TC8</b>
<b>FP7</b> resistance temperature detector input unit	Resistance temperature detector (Pt100, JPt100 and Pt1000), conversion rate: 25 ms/channel, accuracy: $\pm 0.1\%$ F.S. (at 25 °C 77 °F), insulation between channels	8 channels	<b>AFP7RTD8</b>

Note: The temperature input units are compatible with the FP7 CPU units with firmware of Ver. 2.0 or later on page 34. The compatible version of **Control FPWIN GR7** is 2.2 or later.

## High-speed counter units

Product name	Specifications				Part No.
	Input time constant	Number of counters	Counter type	Input type	
<b>FP7</b> high-speed counter units	Selection type	2 channels	Liner counter / ring counter	Individual input: 1 multiple, 2-multiple Direction discrimination input: 1 multiple, 2-multiple 2-phase input: 1 multiple, 2-multiple, 4-multiple	<b>AFP7HSC2T</b>
	Selection type	4 channels	Liner counter / ring counter	Individual input: 1 multiple, 2-multiple Direction discrimination input: 1 multiple, 2-multiple 2-phase input: 1 multiple, 2-multiple, 4-multiple	<b>AFP7HSC4T</b>

## Positioning units

Product name	Specifications				Part No.
	Output type	Number of axes controlled	Operation speed	Functions	
<b>FP7</b> positioning units	Transistor	2 axes	1 pps to 500 kpps	Electronic cam and electronic gear functions, linear interpolation, circular interpolation	<b>AFP7PP02T</b>
		4 axes			<b>AFP7PP04T</b>
	Line driver	2 axes	1 pps to 4 Mpps		<b>AFP7PP02L</b>
		4 axes			<b>AFP7PP04L</b>

## Pulse output units

Product name	Specifications			Part No.
	Output type	Number of axes controlled	Operation speed	
<b>FP7</b> pulse output units	Transistor	2 axes	1 pps to 500 kpps	<b>AFP7PG02T</b>
		4 axes		<b>AFP7PG04T</b>
	Line driver	2 axes	1 pps to 4 Mpps	<b>AFP7PG02L</b>
		4 axes		<b>AFP7PG04L</b>

## Serial communication unit

Product name	Number of communication cassette	Number of installations of CPU unit	Part No.
<b>FP7</b> serial communication unit	Max. 2 cassettes	Max. 8 units	<b>AFP7NSC</b>

## PHLS (remote I/O) master unit

Product name	Max. points	Communication speed	Total distance	Max. number of connections	Part No.
<b>FP7</b> PHLS master unit	1,008 points	6 Mbps / 12 Mbps	200 m <b>656 ft</b> (at 6 Mbps) / 100 m <b>328 ft</b> (at 12 Mbps)	63 slaves	<b>AFP7PHLSM</b>

## PHLS (remote I/O) slave units

Product name	Shape	Connection method	Type	Number of points	Specifications	Part No.	
<b>FP7</b> PHLS slave units	Standard type	Screw-type terminal block	DC input	8 points	24 V DC, common polarity: +, 8 points/common	<b>AFPRP1X08D2</b>	
			DC input	16 points	24 V DC, common polarity: +, 16 points/common	<b>AFPRP1X16D2</b>	
			Transistor output (sink)	16 points	Load current: 0.1 A, common polarity: -, 0.4 A/common, 16 points/common	<b>AFPRP1Y16T</b>	
			DC input transistor output (sink)	Input: 8 points Output: 8 points	Input: 24 V DC, common polarity: +, 8 points/common Output: load current: 0.1 A, common polarity: -, 0.4 A/common, 8 points/common * Input / output common is shared.	<b>AFPRP1XY16D2T</b>	
	Compact type	Connector-type terminal block	e-CON	DC input	8 points	24 V DC, common polarity: +, 8 points/common	<b>AFPRP2X08D2E</b>
				DC input	16 points	24 V DC, common polarity: +, 16 points/common	<b>AFPRP2X16D2</b>
			Transistor output (sink)	16 points	Load current: 0.1 A, common polarity: -, 0.8 A/common, 16 points/common	<b>AFPRP2Y16T</b>	
				Input: 8 points Output: 8 points	Input: 24 V DC, common polarity: +, 8 points/common Output: load current: 0.1 A, common polarity: -, 0.8 A/common, 8 points/common * Input / output common is shared.	<b>AFPRP2XY16D2T</b>	
			Relay output	4 points	1 A/point, 2 A/common, 2 points/common	<b>AFPRP2Y04R</b>	

# Product types

## Option

Product name	Specifications	Part No.
FP-X backup battery	Battery for back up of clock / calendar operation	AFPX-BATT

## Programming tools

Product name	Type	Specifications	Part No.
Programming software for Windows® <b>Control FPWIN GR7</b>	Japanese version	Supports only CPU without encryption function	<b>AFPSGR7JP</b>
	Security enhanced type	Supports both CPU with / without encryption function	<b>AFPSGR7JPS</b>
	English version	Supports only CPU without encryption function	<b>AFPSGR7EN</b>
	Security enhanced type	Supports both CPU with / without encryption function	<b>AFPSGR7ENS</b>
Programming software for Windows® <b>Control FPWIN Pro7</b>	English, Japanese, Korean and Chinese	Supports only CPU without encryption function	<b>AFPSPR7A</b>
	Security enhanced type	Supports only CPU with encryption function * The encryption function will be offered in the future.	<b>AFPSPR7AS</b>

Notes: 1) Windows® 8.1, 8, 7, Vista and XP are trademarks or registered trademarks of Microsoft Corporation in the United States and other countries.  
2) When exporting to China, CPU without encryption function is required.

## Web screen creation tools

Product name	Descriptions	Part No.
<b>Control Web Creator</b>	Windows version. Downloadable free of charge from our website. Please purchase Key unit separately.	<b>AFPSWC</b>
Key unit	License key for <b>Control Web Creator</b> . 1 license. For USB port.	<b>AFPSWCKEY</b>

•Key unit  
**AFPSWCKEY**



\*Key unit is required to create Web content.  
You do not need Key unit to view Web content on a browser.

## Others

Product name	Descriptions	Part No.
End unit	Supplied with <b>FP7</b> CPU unit and expansion unit.	<b>AFP7END</b>
<b>FP7</b> terminal block	Supplied with I/O unit and analog I/O unit with terminal block. (5 pieces)	<b>AFP7TER</b>

## Connector terminals

### Connector terminals recommended for use with the FP7

•WAGO Company of Japan, Ltd

Connector terminal parts numbers

- PM-M32P-NR2081 (51308331) (straight, poles: 40P, for **FP7** circuits)
- PM-M32P-2081 (51308332) (angled, poles: 40P, for **FP7** circuits)
- IM-M2081-40PC-3A-FP (51308333) (angled, poles: 40P, one-to-one circuits)

Cable parts numbers (MIL40P → MIL40P)

- Flexible cable  
PM-MM40SS-F1M (51227194)  
PM-MM40SU-F1M (51224816)
- Flexible cable / shielded  
PM-MM40SS-F1M-S (51255411)  
PM-MM40SU-F1M-S (51269259)
- Easy cable  
PM-MM40SS-E1M (60254323)

\*1. With "SS" and "SU", the polar orientation of the cable is reversed on the PLC side MIL pole slot.  
\*2. Please inquire for lengths other than 1 m 3.281 ft.

To learn more about connector terminals, please contact WAGO Company of Japan, Ltd  
<http://www.wago.co.jp/>

•TOYOGIKEN CO., LTD.

- PCN7-1H40 (crimping terminal type, poles: 40P)
- Cable: KB40N-1H1H-\*MB (AWG28, unshielded)
- \*Cable length (m ft): 0.5 1.640 / 1 3.281 / 1.5 4.921 / 2 6.562

To learn more about connector terminals, please contact TOYOGIKEN CO., LTD.  
<http://www.togi.co.jp/en/>

#### Connector terminals



W42  
L85



W77  
L55

PM-M32P-NR2081 (51308331)

PM-M32P-2081 (51308332)  
IM-M2081-40PC-3A-FP (51308333)

#### Cables



PM-MM40SS-F1M  
PM-MM40SU-F1M  
PM-MM40SU-E1M





# GT series Lineup



## List of related products Programmable display GT series

Product name	Description						Part No.				
	LCD	Screen size	Power supply	Communication port	Color of front panel	SD memory card slot					
<b>Tough</b> GT03M-E	TFT monochrome LCD	3.5 inch	24 V DC	RS232C	Silver	Not available	AIG03MQ03DE				
				RS422 / RS485			AIG03MQ05DE				
<b>Tough</b> GT03T-E	TFT color LCD			RS232C	Silver	Available	AIG03TQ13DE				
		RS422 / RS485		AIG03TQ15DE							
<b>Tough</b> GT32M-E	TFT monochrome LCD	5.7 inch		RS232C	Silver	Available	AIG32MQ03DE				
			RS422 / RS485	AIG32MQ05DE							
<b>Tough</b> GT32T-E	TFT color LCD			RS232C	Silver	Available	AIG32TQ03DE				
		RS422 / RS485	AIG32TQ05DE								
GT02L	STN monochrome LCD (white backlight)	3.7 inch	5 V DC	RS232C	Black	Not available	AIG02LQ02D				
				RS422 / RS485			AIG02LQ04D				
GT02M	STN monochrome LCD (white/pink/red backlight)	3.8 inch	5 V DC	RS232C	Pure black	Not available	AIG02MQ02D				
					Hairline silver		AIG02MQ03D				
				RS422 / RS485	Pure black		AIG02MQ04D				
				Hairline silver	AIG02MQ05D						
			RS232C	Pure black	AIG02MQ12D						
				Hairline silver	AIG02MQ13D						
		24 V DC	RS422 / RS485	Pure black	AIG02MQ14D						
				Hairline silver	AIG02MQ15D						
			RS232C	Pure black	AIG02MQ22D						
				Hairline silver	AIG02MQ23D						
			RS422 / RS485	Pure black	AIG02MQ24D						
				Hairline silver	AIG02MQ25D						
GT02G	STN monochrome LCD (green/orange/red backlight)	3.8 inch	5 V DC	RS232C	Pure black	Not available	AIG02GQ02D				
					Hairline silver		AIG02GQ03D				
				RS422 / RS485	Pure black		AIG02GQ04D				
				Hairline silver	AIG02GQ05D						
			RS232C	Pure black	AIG02GQ12D						
				Hairline silver	AIG02GQ13D						
		24 V DC	RS422 / RS485	Pure black	AIG02GQ14D						
				Hairline silver	AIG02GQ15D						
			RS232C	Pure black	AIG02GQ22D						
				Hairline silver	AIG02GQ23D						
			RS422 / RS485	Pure black	AIG02GQ24D						
				Hairline silver	AIG02GQ25D						
GT05M	STN monochrome LCD (white/pink/red backlight)	3.5 inch	24 V DC	RS232C	Pure black	Available	AIG05MQ02D				
					Hairline silver		AIG05MQ03D				
				RS422 / RS485	Pure black	Available	AIG05MQ04D				
					Hairline silver		AIG05MQ05D				
				GT05G	STN monochrome LCD (green/orange/red backlight)	3.5 inch	24 V DC	RS232C	Pure black	Available	AIG05GQ02D
									Hairline silver		AIG05GQ03D
RS422 / RS485	Pure black	Available	AIG05GQ04D								
	Hairline silver		AIG05GQ05D								
GT05S	TFT color LCD	3.5 inch	24 V DC					RS232C	Pure black	Available	AIG05SQ02D
									Hairline silver		AIG05SQ03D
				RS422 / RS485	Pure black	Available	AIG05SQ04D				
					Hairline silver		AIG05SQ05D				
				GT12M	STN monochrome LCD (white/pink/red backlight)	4.6 inch	24 V DC	RS232C	Pure black	Not available	AIG12MQ02D
									Hairline silver		AIG12MQ03D
RS422 / RS485	Pure black	Not available	AIG12MQ04D								
	Hairline silver	Available	AIG12MQ05D								
RS232C	Pure black	Available	AIG12MQ12D								
	Hairline silver		AIG12MQ13D								
RS422 / RS485	Pure black	Available	AIG12MQ14D								
	Hairline silver		AIG12MQ15D								
GT12G	STN monochrome LCD (green/orange/red backlight)	4.6 inch	24 V DC			RS232C	Pure black	Not available	AIG12GQ02D		
							Hairline silver		AIG12GQ03D		
						RS422 / RS485	Pure black	Not available	AIG12GQ04D		
							Hairline silver	Available	AIG12GQ05D		
				RS232C	Pure black	Available	AIG12GQ12D				
					Hairline silver		AIG12GQ13D				
RS422 / RS485	Pure black	Available	AIG12GQ14D								
	Hairline silver		AIG12GQ15D								
GT32M-R	TFT monochrome LCD	5.7 inch	24 V DC	RS232C	Pure black	Available	AIG32MQ02DR				
					Hairline silver		AIG32MQ03DR				
				RS422 / RS485	Pure black	Available	AIG32MQ04DR				
					Hairline silver		AIG32MQ05DR				
				GT32T-R	TFT color LCD	5.7 inch	24 V DC	RS232C	Pure black	Available	AIG32TQ02DR
									Hairline silver		AIG32TQ03DR
RS422 / RS485	Pure black	Available	AIG32TQ04DR								
	Hairline silver		AIG32TQ05DR								
<b>NEW</b> GT707	TFT color LCD	7 inch	24 V DC					RS232C	Black	Available	AIG707WCL1G2
<b>NEW</b> Terminal GTWIN Ver.3 *1, *2	English, Simplified Chinese and Japanese							Terminal GTWIN CD-ROM			AIGSGT7EN
Terminal GTWIN Ver.2 *1	Japanese version			Terminal GTWIN CD-ROM			AIGT8000V2				
	English version			Terminal GTWIN CD-ROM			AIGT8001V2				

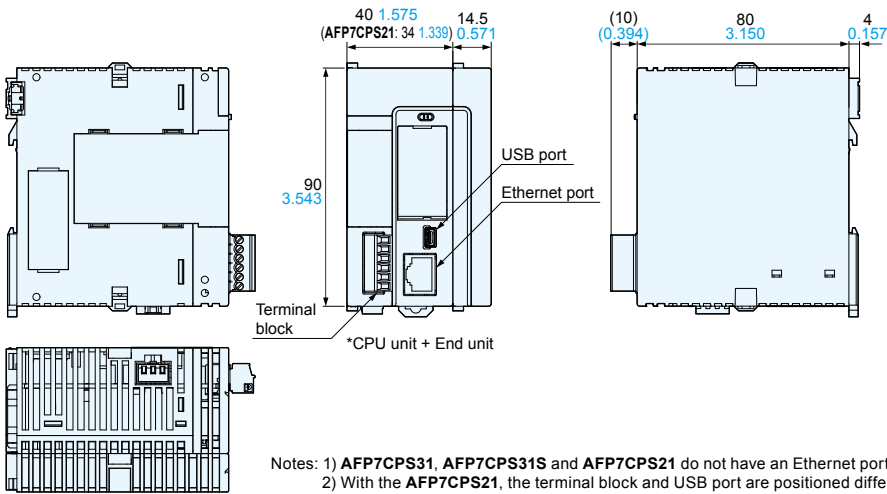
\*1 It can not be used with discontinued models of GT series.

\*2 Some combinations can not perform simultaneous communication of GTWIN and FPWIN when using the pass through function. Please refer to our website for details.

# Dimensions (unit: mm in)

## CPU units

AFP7CPS41E AFP7CPS41ES AFP7CPS31E AFP7CPS31ES AFP7CPS31 AFP7CPS31S AFP7CPS21



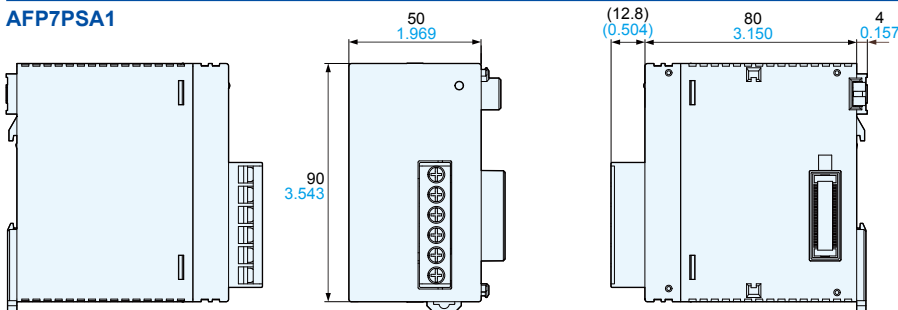
## Add-on cassettes

AFP7CCS1 AFP7CCS2 AFP7CCM1 AFP7CCM2 AFP7CCET1  
AFP7CCS1M1 AFP7FCA21 AFP7FCAD2 AFP7FCTC2

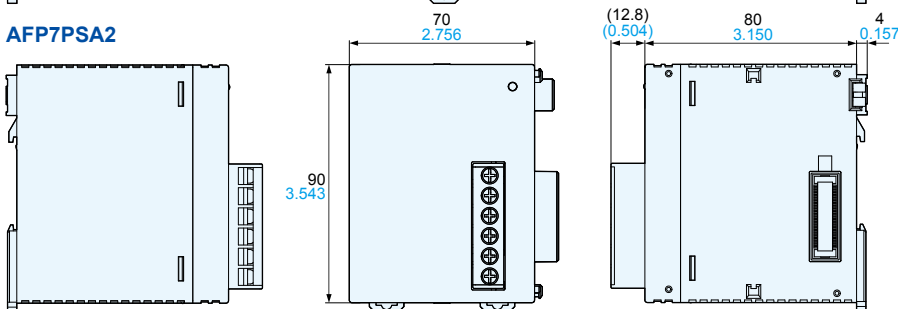


## Power supply units

AFP7PSA1

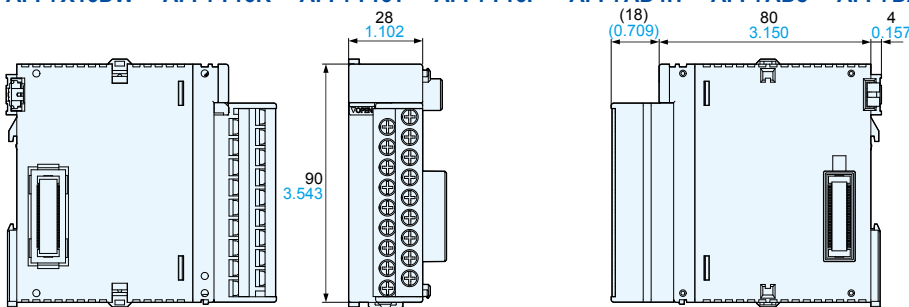


AFP7PSA2



## Input and output units / Analog input and output units

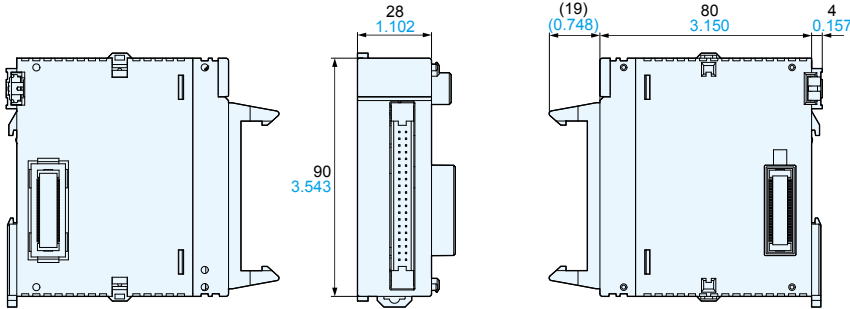
AFP7X16DW AFP7Y16R AFP7Y16T AFP7Y16P AFP7AD4H AFP7AD8 AFP7DA4H



# Dimensions (unit: mm in)

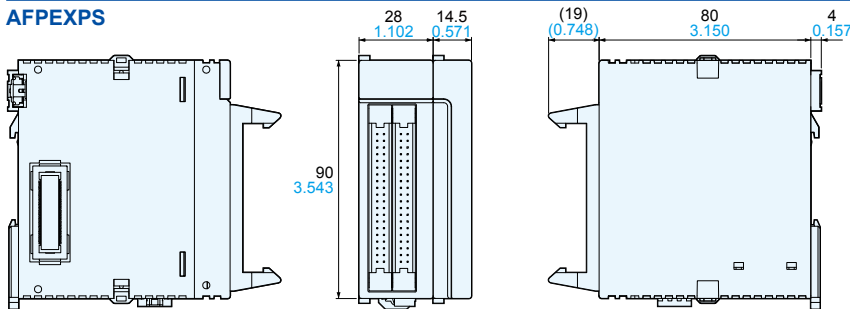
## Expansion master units / Input and output units / High-speed counter unit / Positioning units / Pulse output units

AFP7EXPM AFP7X32D2 AFP7Y32T AFP7Y32P AFP7HSC2T AFP7PP02T AFP7PP02L AFP7PG02T AFP7PG02L



## Expansion slave unit

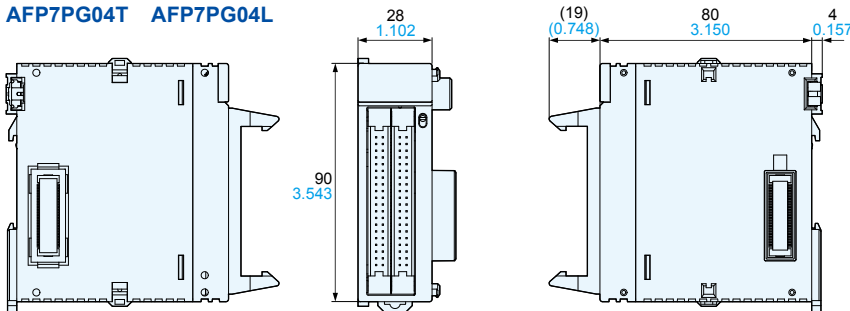
AFP7EXPS



\*Expansion slave unit + End unit

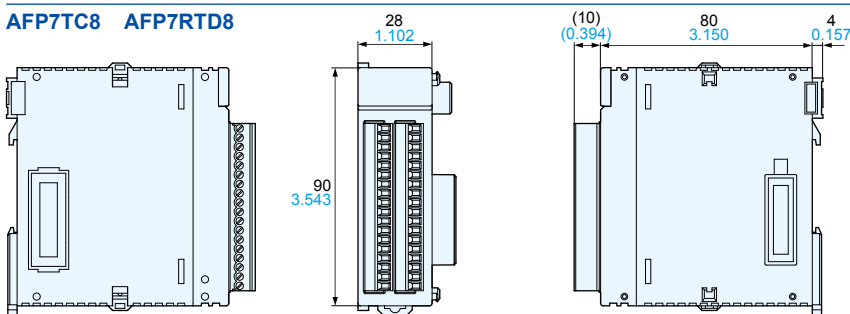
## Input and output units / High-speed counter unit / Positioning units / Pulse output units

AFP7X64D2 AFP7Y64T AFP7Y64P AFP7XY64D2T AFP7XY64D2P AFP7HSC4T AFP7PP04T AFP7PP04L  
AFP7PG04T AFP7PG04L



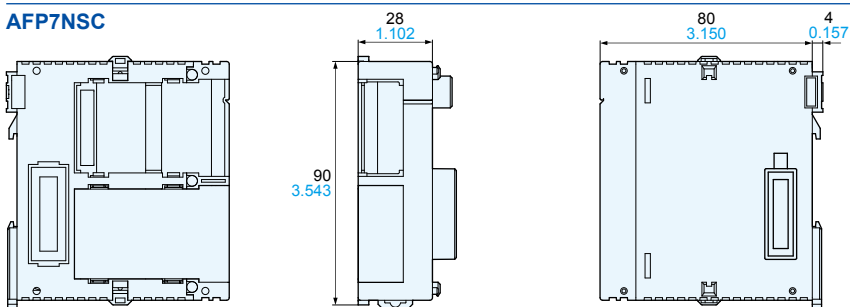
## Temperature input units

AFP7TC8 AFP7RTD8



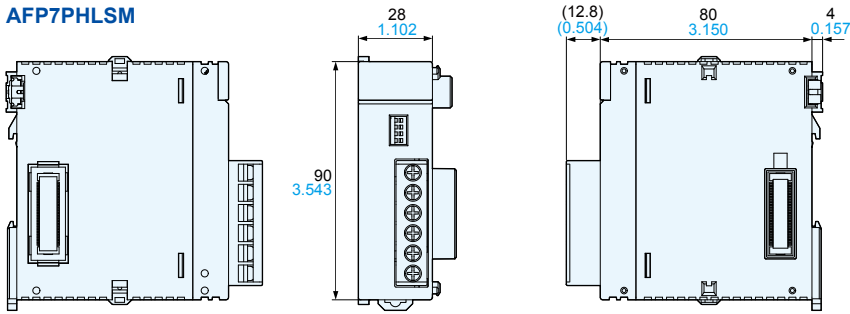
## Serial communication unit

AFP7NSC



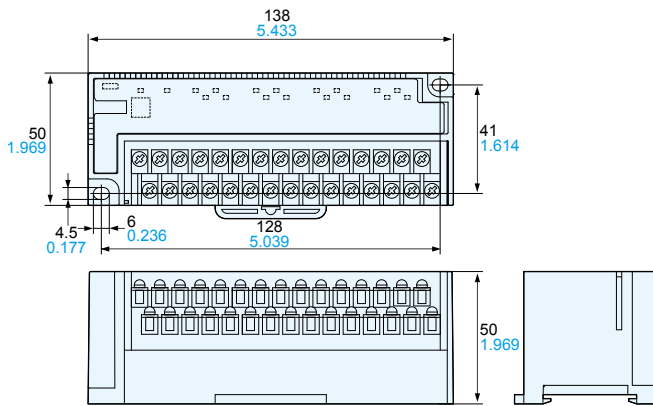
## PHLS master unit

AFP7PHLSM



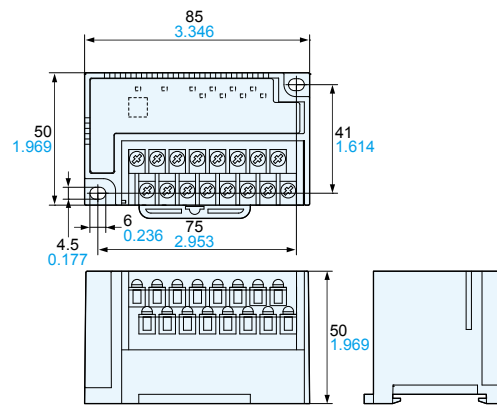
## PHLS slave units (standard type)

AFPRP1X16D2 AFPRP1Y16T AFPRP1XY16D2T



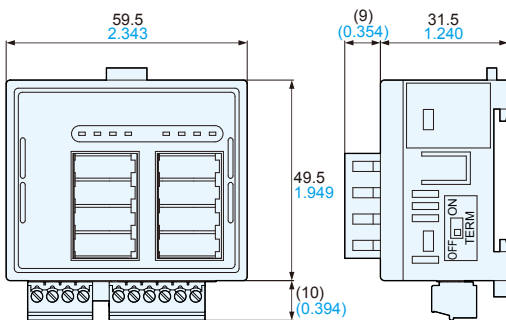
## PHLS slave unit (standard type)

AFPRP1X08D2



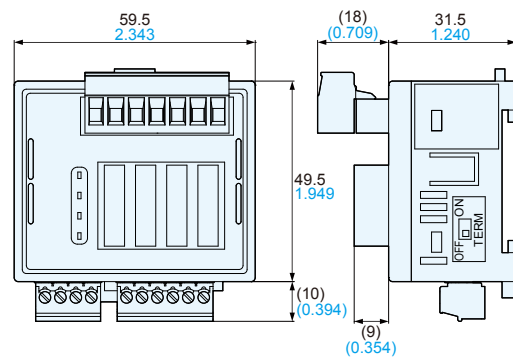
## PHLS slave unit (e-CON)

AFPRP2X08D2E



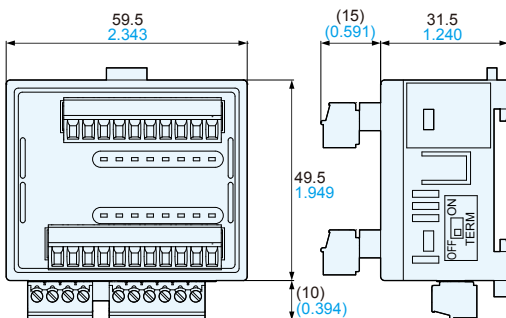
## PHLS slave unit (connector type and relay output)

AFPRP2Y04R



## PHLS slave units (connector type)

AFPRP2X16D2 AFPRP2Y16T AFPRP2XY16D2T



---

Please contact:

## Panasonic Industrial Devices SUNX Co., Ltd.

2431-1 Ushiyama-cho, Kasugai-shi, Aichi, 486-0901, Japan

Global Sales Department

■Telephone: +81-568-33-7861 ■Facsimile: +81-568-33-8591

[panasonic.net/id/pidsx/global](http://panasonic.net/id/pidsx/global)

The Panasonic logo, consisting of the word "Panasonic" in a bold, blue, sans-serif font, with a registered trademark symbol (®) to the upper right of the "c".

---

All Rights Reserved ©Panasonic Industrial Devices SUNX Co., Ltd. 2015