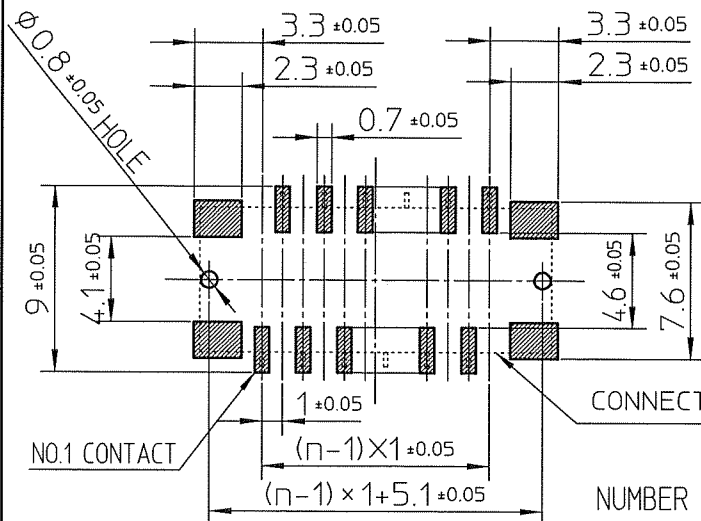


| PT. NO. | PARTS NAME | MATERIAL | Q'TY | NOTE |
|---------|----------------|--|------|--|
| 1 | HOUSING | GLASS FILLED THERMOPLASTIC RATED.(UL94V-0) | 1 | COLOR:BRACK |
| 2 | CONTACT | PHOSPHOR BRONZE | n | PLATING CONTACT AREA:GOLD OVER NICKL TERMINAL AREA:TIN (LEAD FREE) |
| 3 | MOUNTING PLATE | BRASS | 2 | PLATING:TIN (LEAD FREE) |

n:NO. OF CONTACTS

RECOMMENDED PC BOARD LAYOUT
(COMPONENT SIDE)

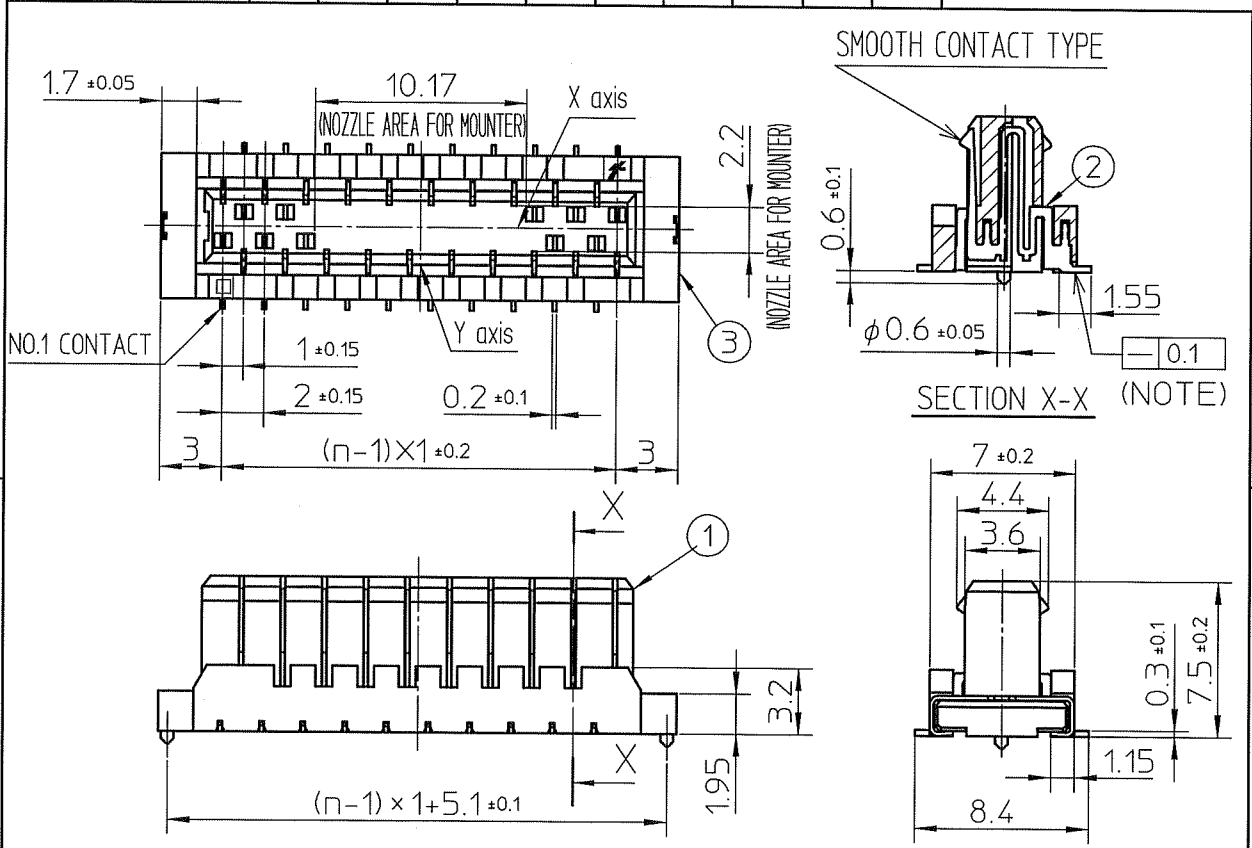


NOTE

- 1.This connector is symmetric for X,Y axis. As a result, It is possible to locate in emboss cavity even if rotated condition.
- 2.Flattness for contact terminal and mounting plate must be within 0.1.
- 3.This product meets European Union Directives and other country regulations as described in GS-22-008.

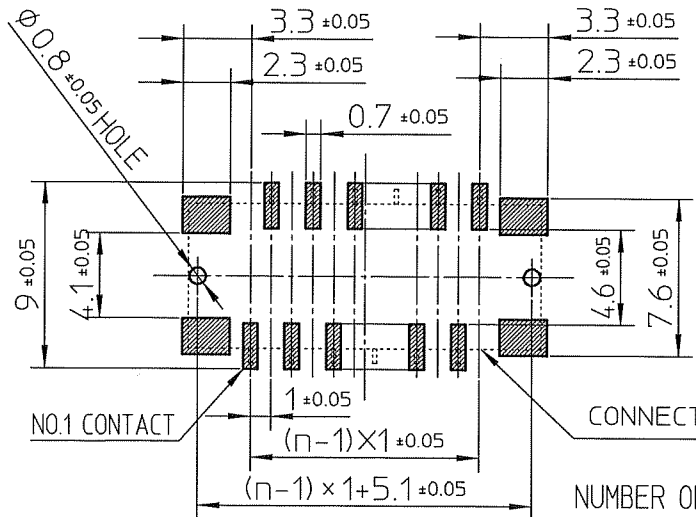
NUMBER OF CONTACTS : 10 TO 16 , ONLY EVEN POS.

| | | | | | | | | | | | |
|--------------------------|--|----------------|--|---------------------------------------|--|----------------------------|--|-------------------------------|--|---|--|
| mat'l. code | | | | surface ISO 1302 ✓ | | tolerance ISO 406 ISO 1101 | | projection | | product family 590F | |
| lfr ecn no dr date | | | | tolerances unless otherwise specified | | angles linear ±0.3 | | scale | | title | |
| A J07-0021 M.K Jan.25,07 | | | | | | | | | | FLOATING BOARD TO BOARD PLUG CONNECTOR (GOLD PLATING AND LEAD FREE) (CAT.No. BTFW_P-3SBTADLF) | |
| | | | | dr K.Higuchi Jan.25,07 | | engr M.Koga Jan.25,07 | | dwg no JSA97218 | | sheet 1 of 2 size A4 | |
| | | | | chr K.Higuchi Jan.25,07 | | appd M.Koga Jan.25,07 | | type Product Customer Drawing | | | |
| sheet index | | revision sheet | | A 1 | | A 2 | | | | Rev A | |



| PT. NO. | PARTS NAME | MATERIAL | Q'TY | NOTE |
|---------|----------------|--|------|--|
| 1 | HOUSING | GLASS FILLED THERMOPLASTIC RATED (UL94V-0) | 1 | COLOR:BRACK |
| 2 | CONTACT | PHOSPHOR BRONZE | n | PLATING CONTACT AREA:GOLD OVER NICKL TERMINAL AREA:TIN (LEAD FREE) |
| 3 | MOUNTING PLATE | BRASS | 2 | PLATING:TIN (LEAD FREE) |

RECOMMENDED PC BOARD LAYOUT (COMPONENT SIDE)



n:NO. OF CONTACTS

NOTE
 1.This connector is symmetric for X,Y axis. As a result, It is possible to locate in emboss cavity even if rotated condition.
 2.Flatness for contact terminal and mounting plate must be within 0.1.
 3.This product meets European Union Directives and other country regulations as described in GS-22-008.

NUMBER OF CONTACTS : 18 TO 30 , ONLY EVEN POS.

| | | | | | | | | | | | | |
|-------------|----------------|-----|-----------|---------------------------------------|-----------|----------------------------|--|------------|----------|---|--------------------------|-------|
| mat'l. code | | | | surface ISO 1302 ✓ | | tolerance ISO 406 ISO 1101 | | projection | | product family 590F | | |
| ltr | ecn no | dr | date | tolerances unless otherwise specified | | | | | | title FLOATING BOARD TO BOARD PLUG CONNECTOR (GOLD PLATING AND LEAD FREE) (CAT.No. BTFW__P-3SBTADLF) | | |
| A | J07-0021 | M.K | Jan.25,07 | angles | linear | ± 0.3 | | | | | | scale |
| | | | | dr | K.Higuchi | Jan.25,07 | | | dwg no | | sheet 2 of 2 | size |
| | | | | enr | M.Koga | Jan.25,07 | | | JSA97218 | | A4 | |
| | | | | chr | K.Higuchi | Jan.25,07 | | | type | | Product Customer Drawing | |
| | | | | appd | M.Koga | Jan.25,07 | | | | | | |
| sheet index | revision sheet | A | A | | | | | | | | | Rev |
| D | 1 | 2 | | | | | | | | | | A |



FCJconnect.com

Copyright FCJ