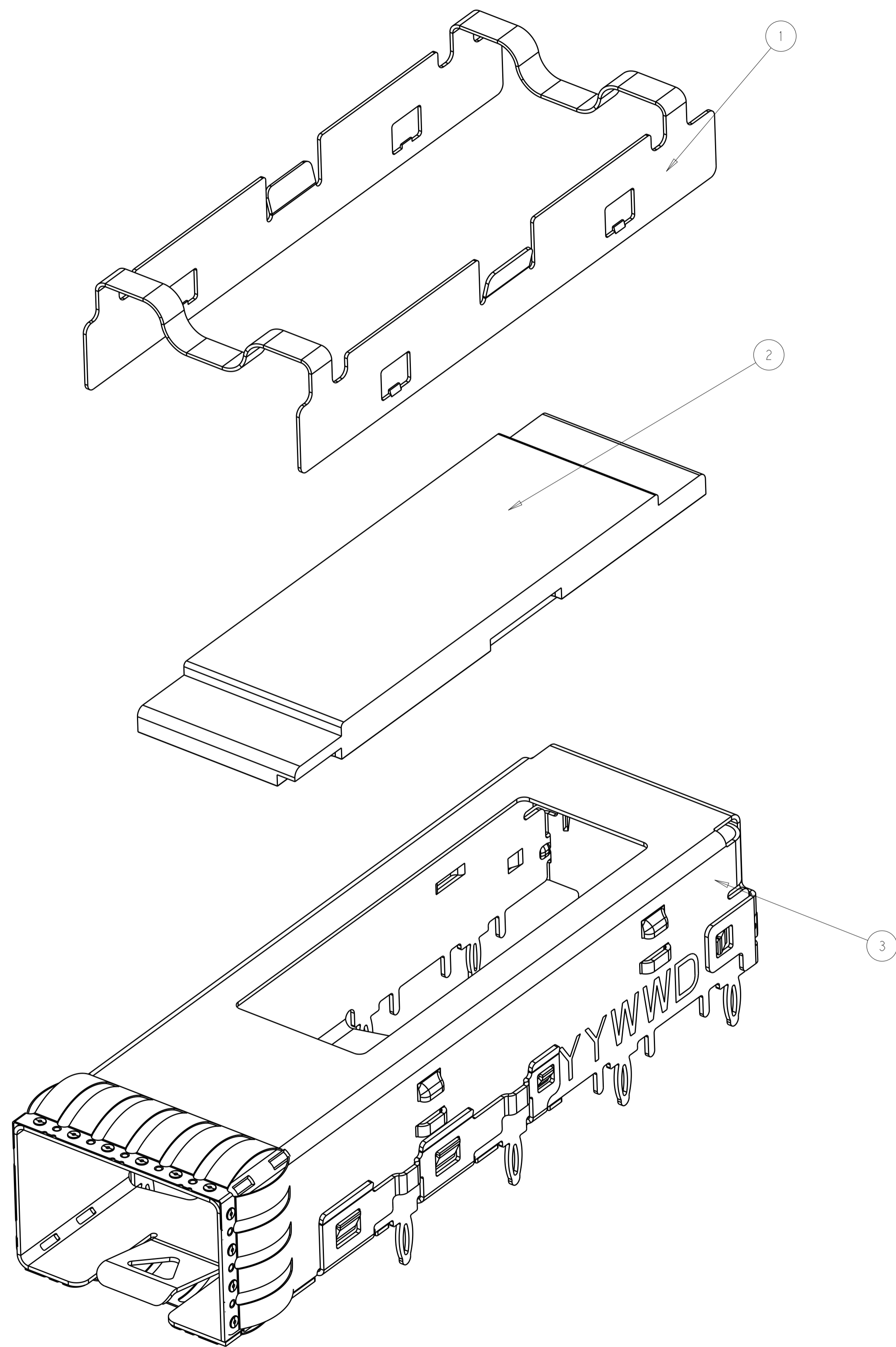


| LOC | | DIST | | REVISIONS | | | |
|-----|----|------|-----|-----------------|-----------|-----|------|
| GP | 00 | P | LTN | DESCRIPTION | DATE | DWN | APVD |
| | | A | | INITIAL RELEASE | 03NOV2016 | AJ | SH |



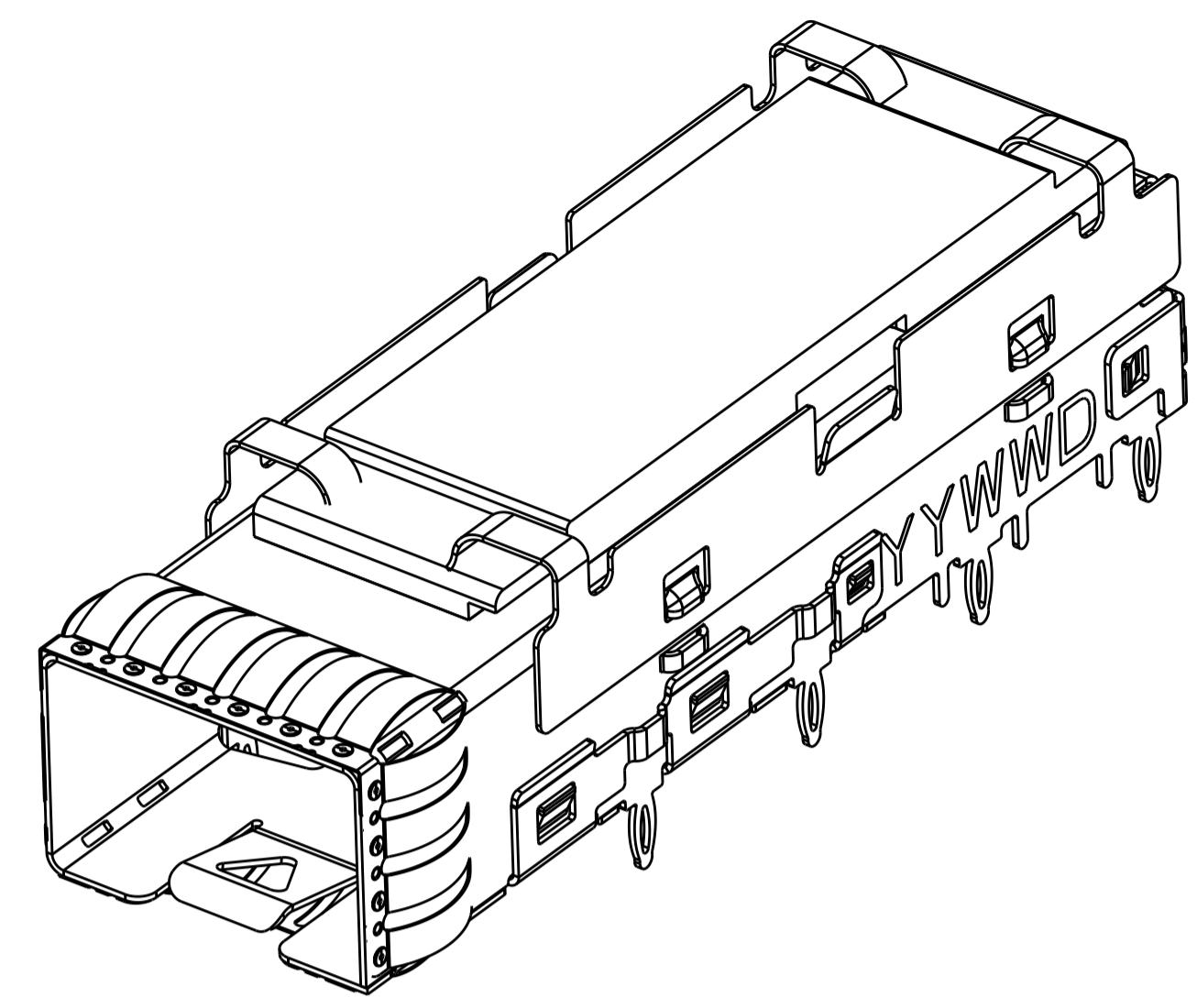
- 1 MATERIAL:
 CAGE ASSEMBLY: 0.25mm THICK NICKEL SILVER ALLOY.
 EMI SPRINGS: COPPER ALLOY.
 CLIP: STAINLESS STEEL 0.20mm THICK.
 HEAT SINK: ALUMINUM.
- 2 FINISH
 EMI SPRINGS: 0.8um MIN NICKEL, NON-PLATED EDGES PERMISSIBLE.
 HEAT SINK: ELECTROLESS NICKEL.
- 3. MATES WITH SFP MSA COMPLIANT TRANSCEIVERS.
- 4 PADS AND VIAS CHASSIS GROUND.
- 5 DATUM AND BASIC DIMENSION ESTABLISHED BY CUSTOMER.
- 6 MINIMUM PC BOARD THICKNESS:
 SINGLE SIDED = 1.50 mm
 DOUBLE SIDED = 3.00 mm
- 7 REFERENCE APPLICATION SPEC. 114-13120, HOLE A, FOR
 RECOMMENDED DRILL HOLE DIAMETER AND PLATING THICKNESS.
- 8 REFERENCE APPLICATION SPEC. 114-13120, HOLE C, FOR
 RECOMMENDED DRILL HOLE DIAMETER AND PLATING THICKNESS.
- 9. CAGE ASSEMBLY, HEAT SINK AND CLIP SHOULD BE SHIPPED ASSEMBLED.

2299056-1
 EXPLODING VIEW
 SCALE 6:1

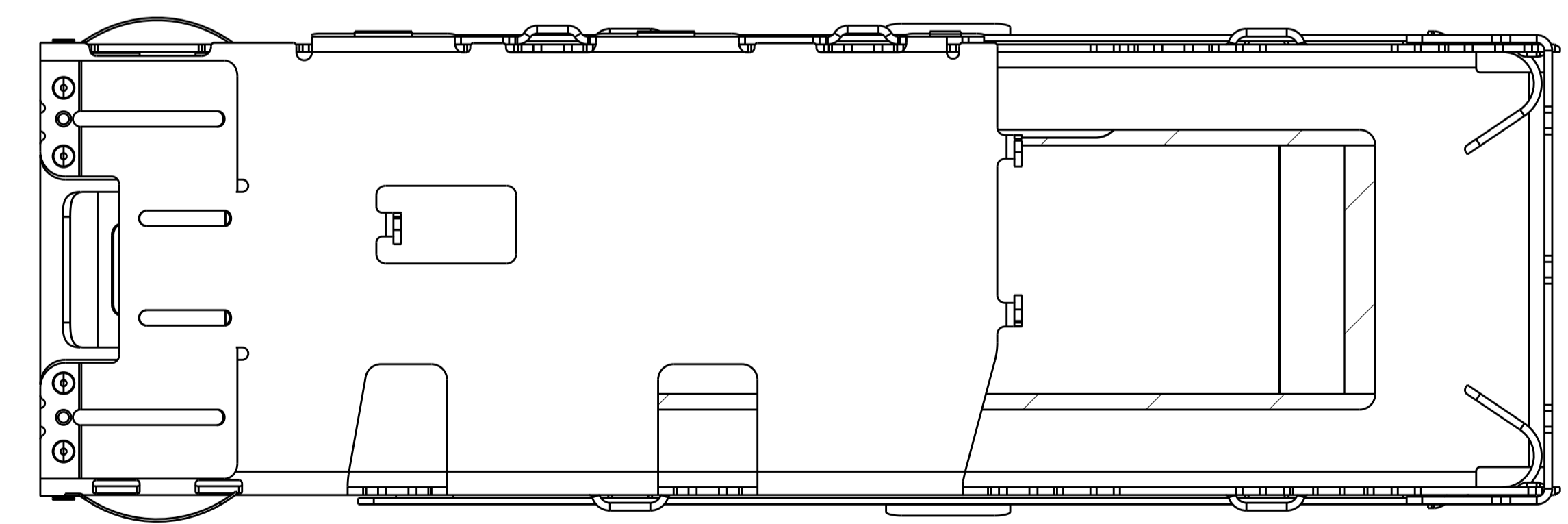
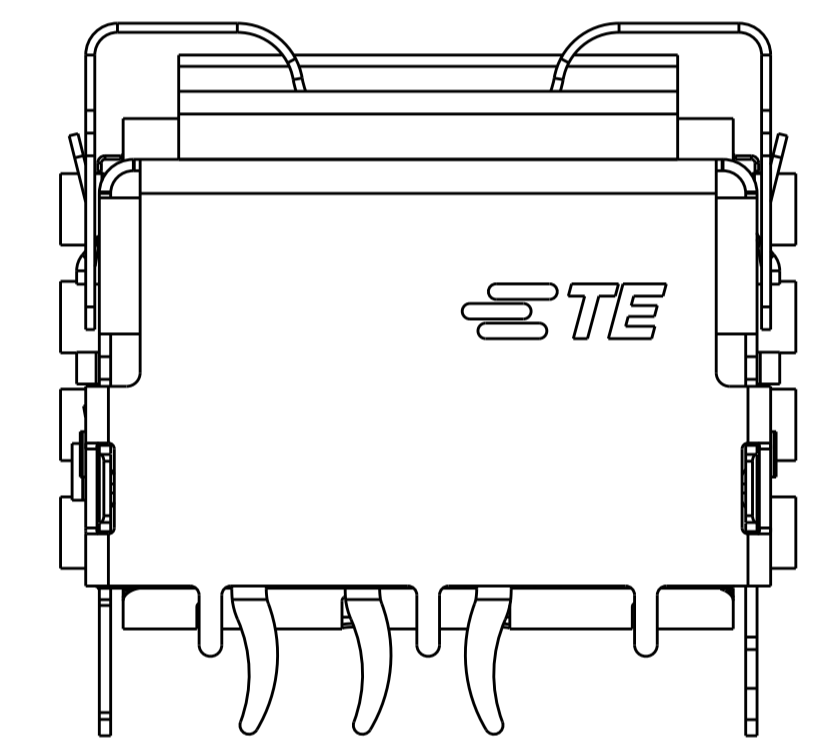
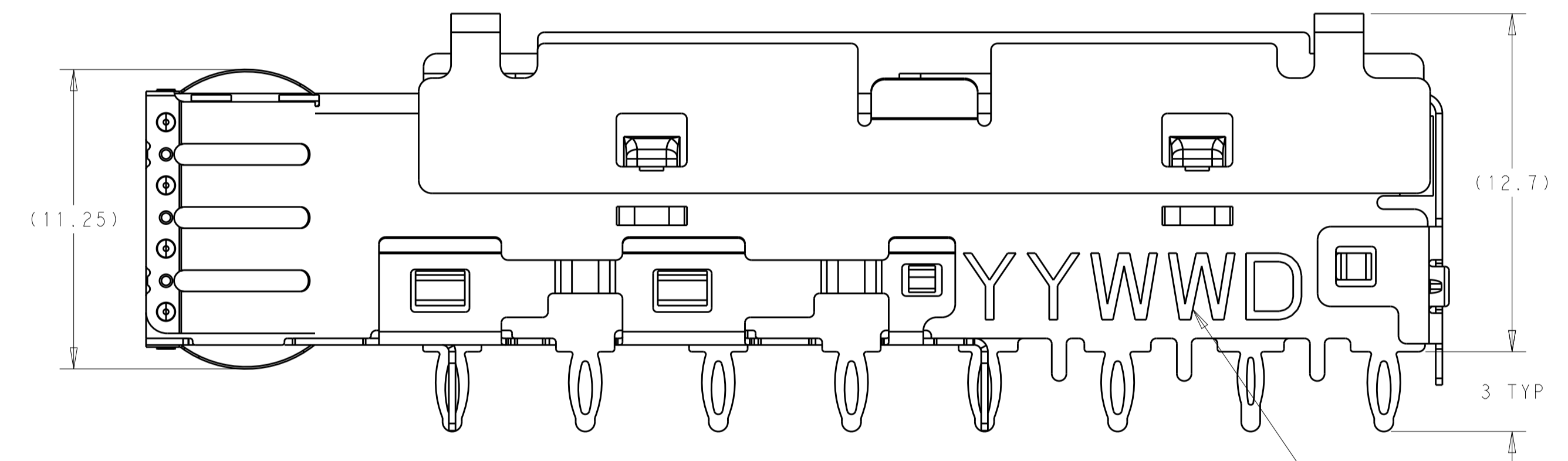
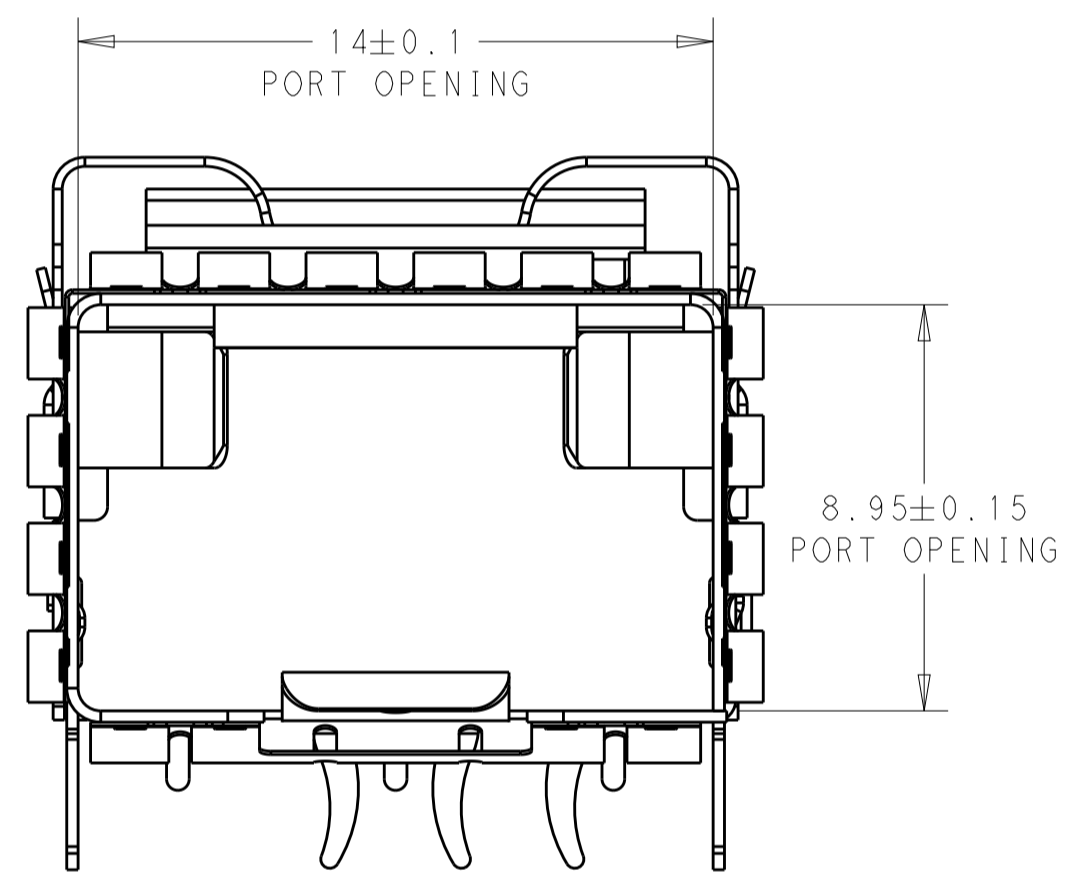
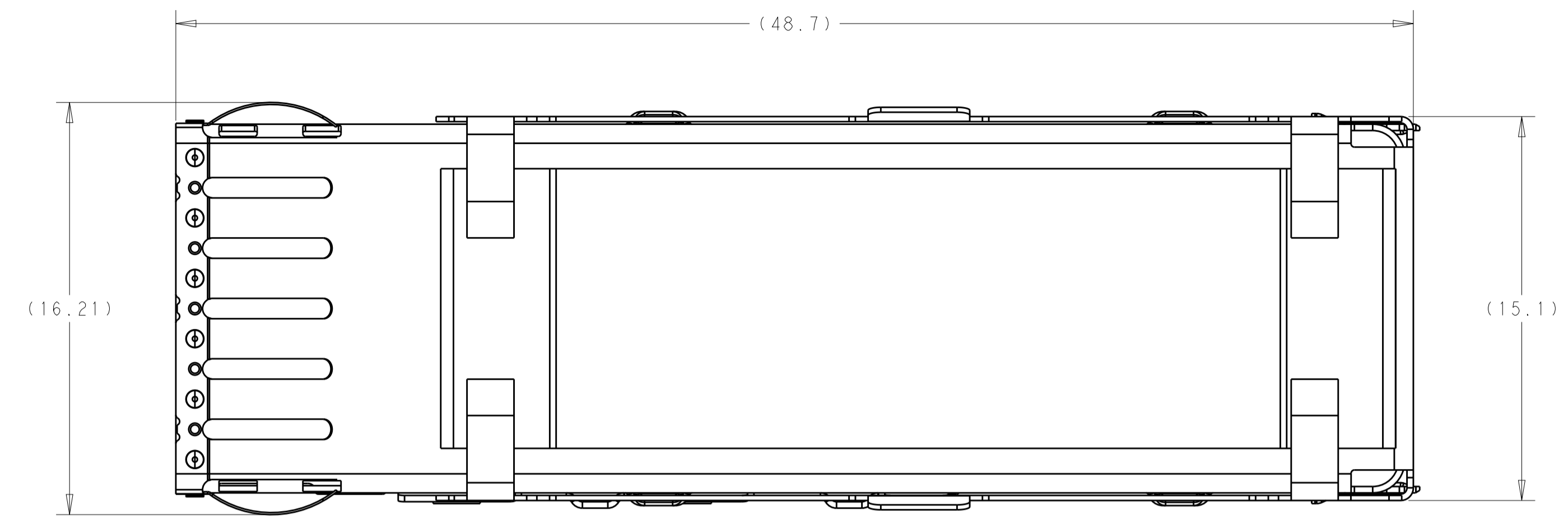
| | | | |
|-----|-------------|----------------|----------|
| 1 | 2170680-2 | CAGE ASSEMBLY | 3 |
| 1 | 2170575-1 | HEAT SINK | 2 |
| 1 | 2292792-1 | HEAT SINK CLIP | 1 |
| - 1 | PART NUMBER | DESCRIPTION | ITEM NO. |

| | | | | |
|--|--|-----------------------------|--|--|
| THIS DRAWING IS A CONTROLLED DOCUMENT. | | OWN: ARTHUR JIN 21DEC2015 | TE TE Connectivity | |
| DIMENSIONS: mm | | CHK: SEAN HAN 21DEC2015 | | |
| TOLERANCES UNLESS OTHERWISE SPECIFIED: | | APVD: SEAN HAN 21DEC2015 | NAME: SFP+ 1X1 CAGE ASSY AND CONNECTOR PRESS-FIT, EMI SPRINGS WITH HEAT SINK | |
| 0 PLC ±0.1 | | PRODUCT SPEC: 108-2364 | SIZE: A1 | |
| 1 PLC ±0.1 | | APPLICATION SPEC: 114-13120 | CAGE CODE: 00779 | |
| 2 PLC ±0.1 | | WEIGHT: - | DRAWING NO: 2299056 | |
| 3 PLC ±0.05 | | CUSTOMER DRAWING | SCALE: 2:1 | |
| 4 PLC ±0.05 | | | SHEET 1 OF 4 | |
| ANGLES ±0.05 | | | REV A | |
| FINISH | | | | |

| LOC | DIST | REVISIONS | | | | | |
|-----|------|-----------|-----|-------------|------|-----|------|
| | | P. | LYR | DESCRIPTION | DATE | OWN | APVD |
| GP | 00 | - | - | SEE SHEET 1 | - | - | - |

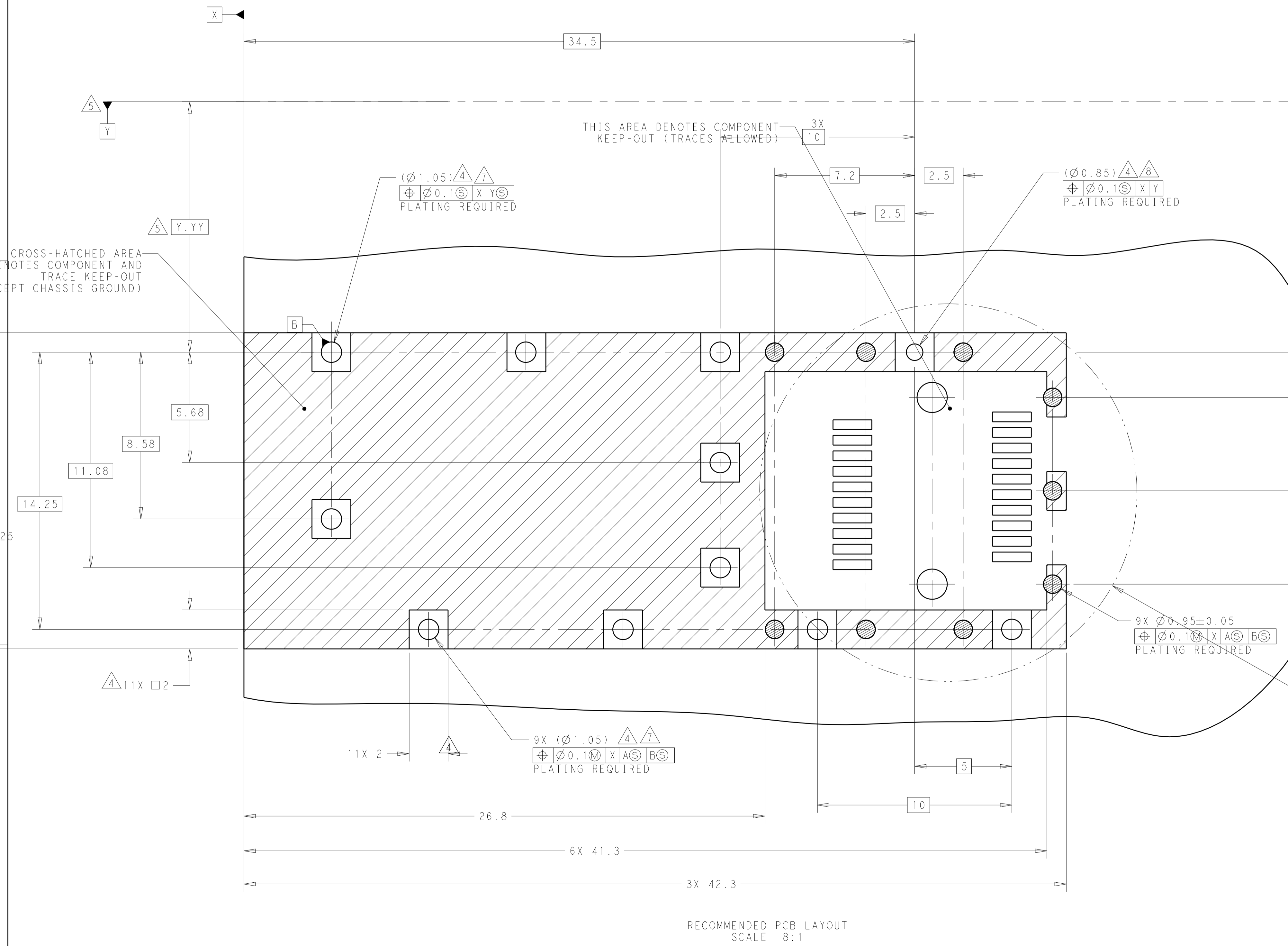
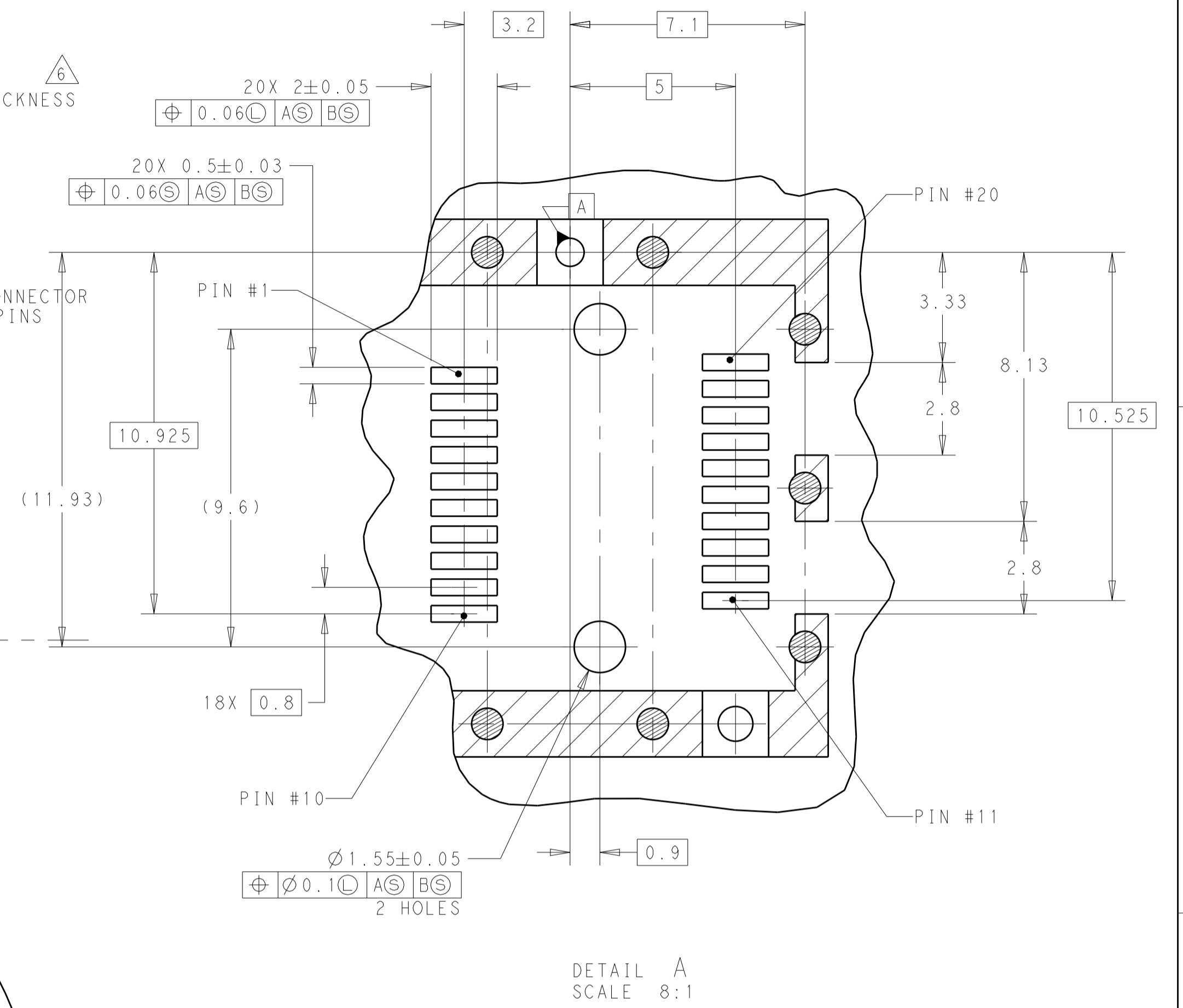
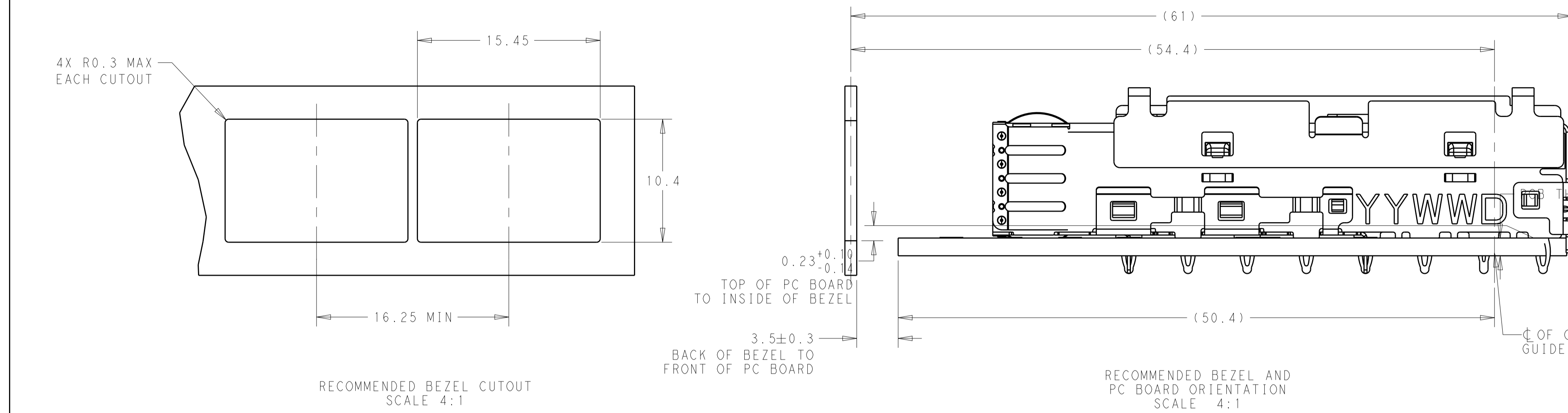


SCALE 4:1



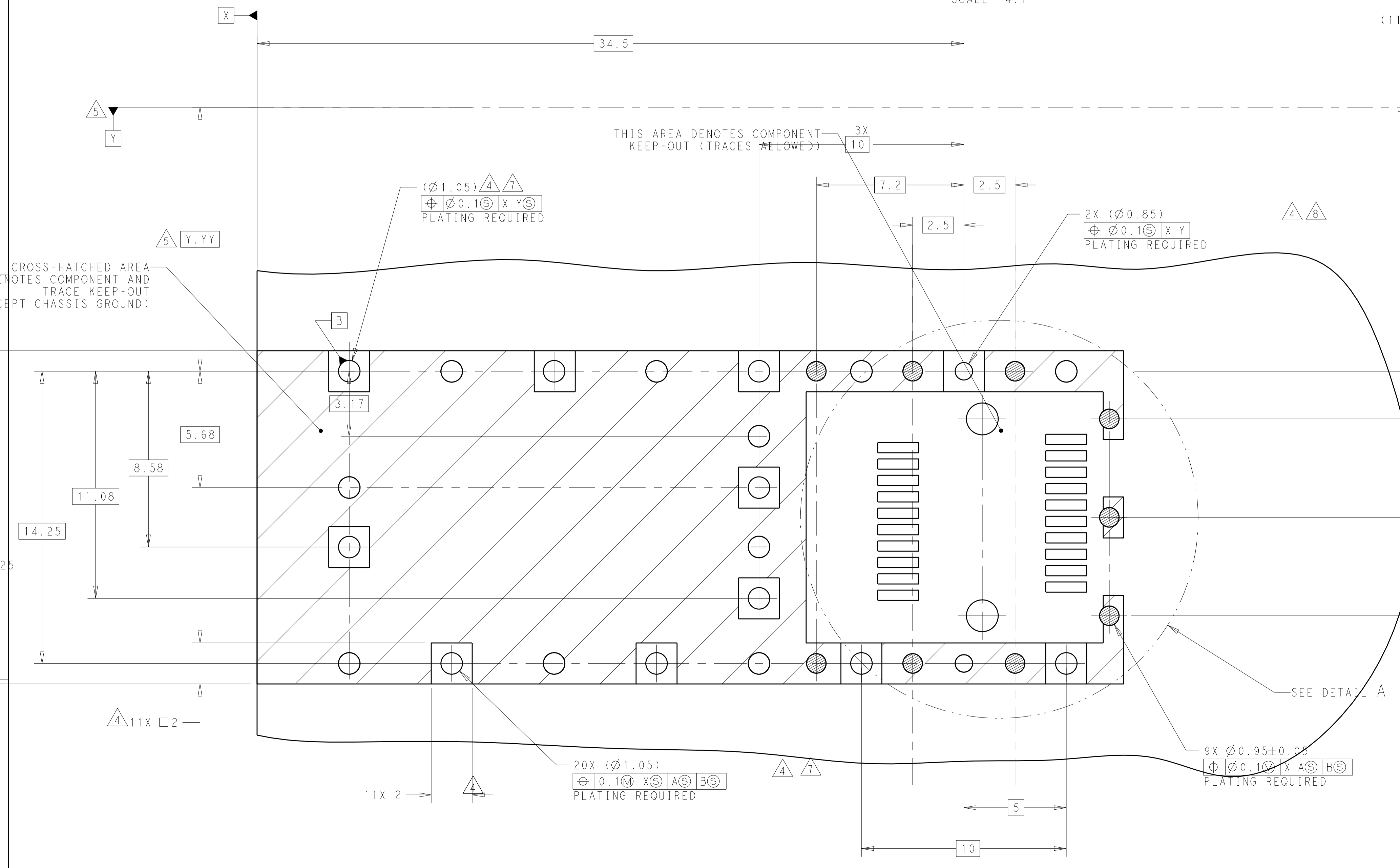
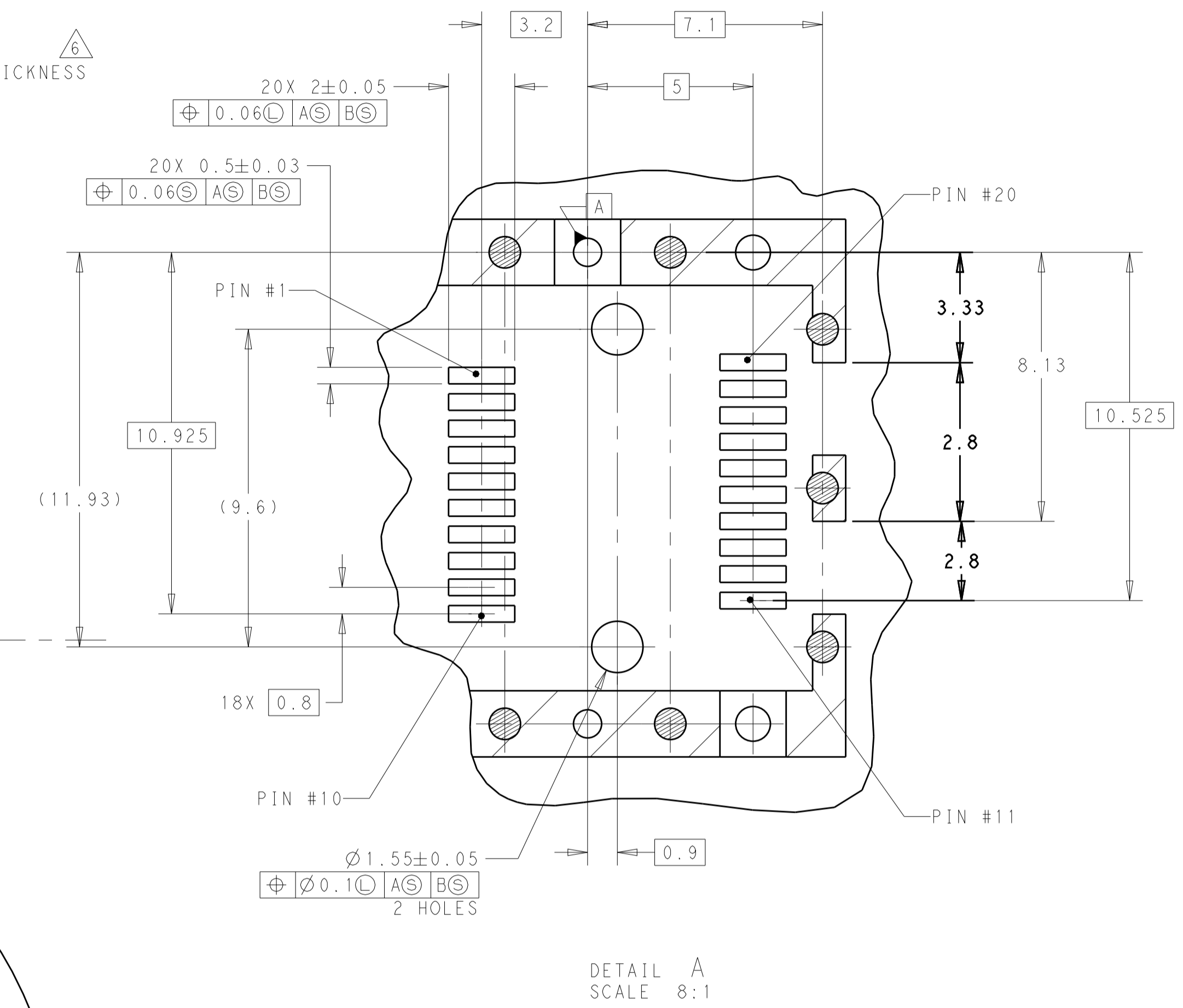
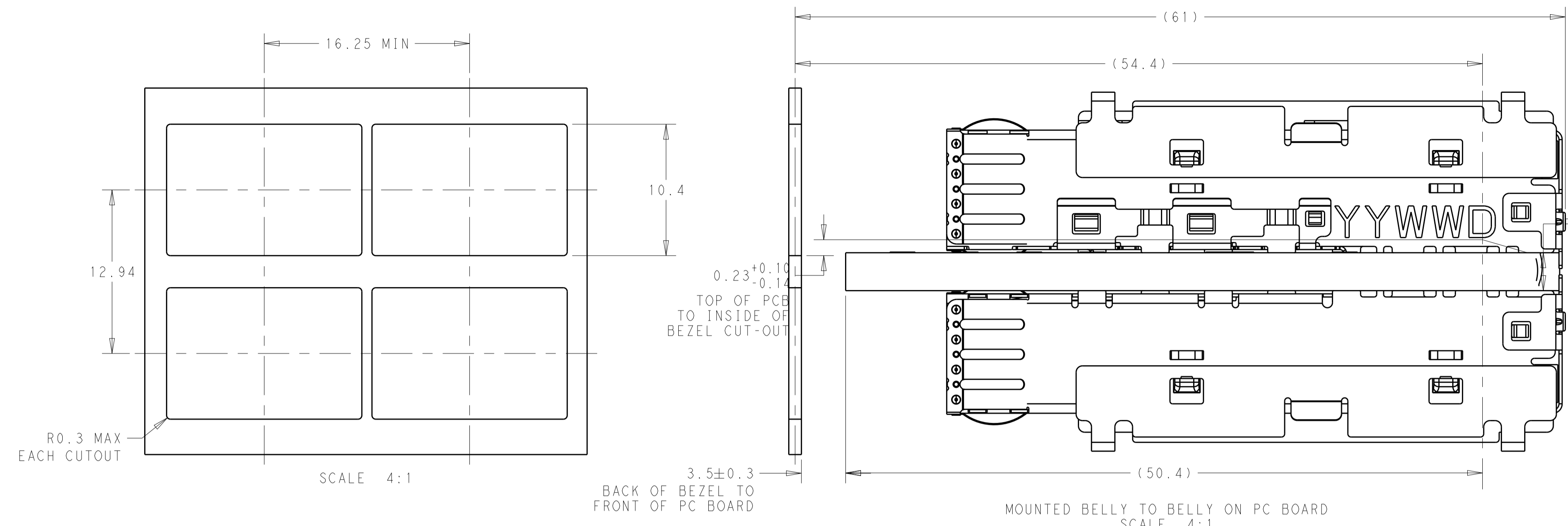
| | | | |
|--|--------------|---------------------------|--|
| THIS DRAWING IS A CONTROLLED DOCUMENT. | | OWN: ARTHUR JIN 21DEC2015 | |
| DIMENSIONS: mm | | CHK: SEAN HAN 21DEC2015 | |
| TOLERANCES UNLESS OTHERWISE SPECIFIED: | | APVD: SEAN HAN 21DEC2015 | NAME: SFP+ 1X1 CAGE ASSY AND CONNECTOR PRESS-FIT, EMI SPRINGS WITH HEAT SINK |
| 0 PLC ±0.1 | 1 PLC ±0.1 | PRODUCT SPEC | SIZE: A1 |
| 2 PLC ±0.1 | 3 PLC ±0.05 | APPLICATION SPEC | CAGE CODE: 108-2364 |
| 4 PLC ±0.05 | ANGLES ±0.05 | FINISH | DRAWING NO: 114-13120 |
| MATERIAL: | | WEIGHT: | RESTRICTED TO: |
| CUSTOMER DRAWING | | SCALE: 6:1 | SHEET 2 OF 4 |

| LOC | | DIST | | REVISONS | | | |
|-----|----|------|-----|-------------|------|-----|------|
| GP | 00 | P | LTH | DESCRIPTION | DATE | OWN | APVD |
| | | - | - | SEE SHEET 1 | - | - | - |



| | | | |
|--|--|--|------------------|
| THIS DRAWING IS A CONTROLLED DOCUMENT. | | OWN: ARTHUR JLN 21DEC2015 | TE Connectivity |
| DIMENSIONS: mm | | CHK: SEAN HAN 21DEC2015 | |
| TOLERANCES UNLESS OTHERWISE SPECIFIED: | | APVD: SEAN HAN 21DEC2015 | |
| 0 PLC ±0.1 1 PLC ±0.1 2 PLC ±0.1 3 PLC ±0.05 4 PLC ±0.05 ANGLES ±0.05 | | NAME: SFP+ 1X1 CAGE ASSY AND CONNECTOR PRESS-FIT, EMI SPRINGS WITH HEAT SINK PRODUCT SPEC: 108-2364 APPLICATION SPEC: 114-13120 WEIGHT: - CUSTOMER DRAWING | |
| MATERIAL: FINISH: AL | | SIZE: A100779 | RESTRICTED TO: - |
| | | SCALE: 6:1 | SHEET 3 OF 4 |
| | | REV: A | |

| LOC | | DIST | | REVISIONS | | | |
|-----|----|------|-----|-------------|------|-----|------|
| GP | 00 | P | LTH | DESCRIPTION | DATE | OWN | APVD |
| | | | | SEE SHEET 1 | | | |



| | | | |
|--|-------|---------------------------|--|
| THIS DRAWING IS A CONTROLLED DOCUMENT. | | OWN: ARTHUR JIN 21DEC2015 | TE Connectivity |
| DIMENSIONS: mm | | CHK: SEAN HAN 21DEC2015 | |
| TOLERANCES UNLESS OTHERWISE SPECIFIED: | | APVD: SEAN HAN 21DEC2015 | NAME: SFP+ 1X1 CAGE ASSY AND CONNECTOR PRESS-FIT, EMI SPRINGS WITH HEAT SINK |
| 0 PLC | ±0.1 | PRODUCT SPEC | SIZE: CAGE CODE DRAWING NO |
| 1 PLC | ±0.1 | 108-2364 | RESTRICTED TO |
| 2 PLC | ±0.1 | APPLICATION SPEC | A100779C=2299056 |
| 3 PLC | ±0.05 | 114-13120 | SCALE: 6:1 |
| 4 PLC | ±0.05 | WEIGHT | SHEET 4 OF 4 |
| ANGLES | ±0.05 | CUSTOMER DRAWING | REV A |