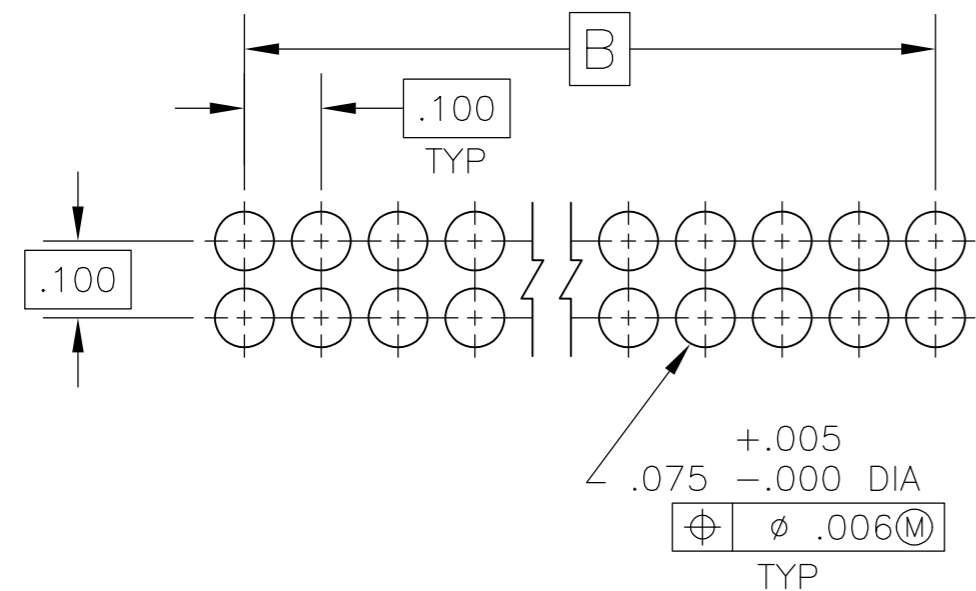
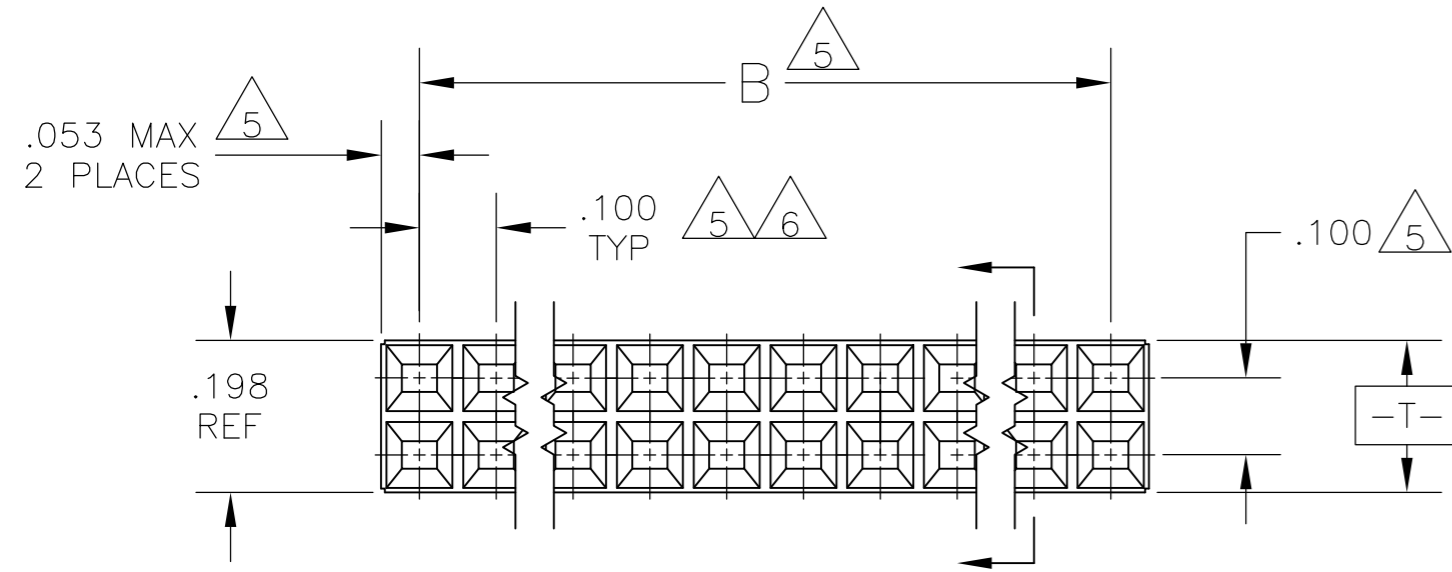
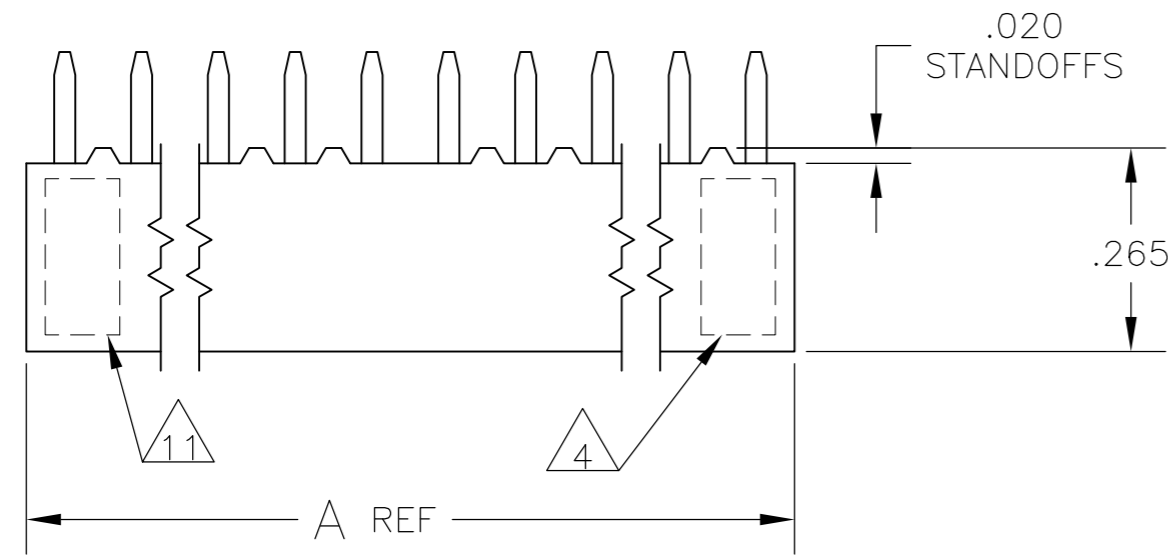
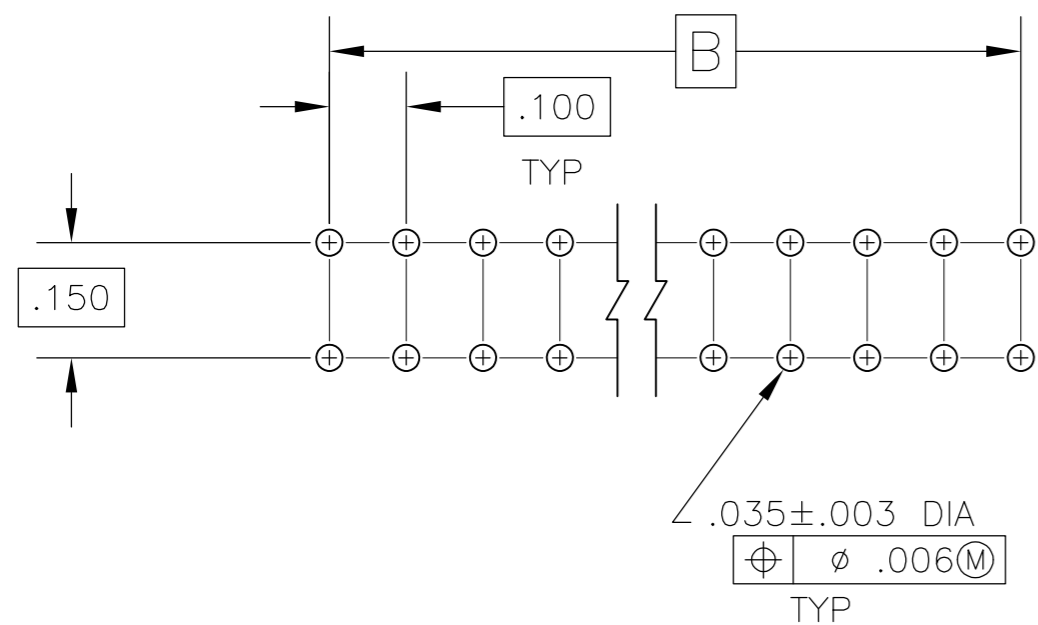


THIS DRAWING IS UNPUBLISHED. RELEASED FOR PUBLICATION
 © COPYRIGHT BY TYCO ELECTRONICS CORPORATION. ALL RIGHTS RESERVED.

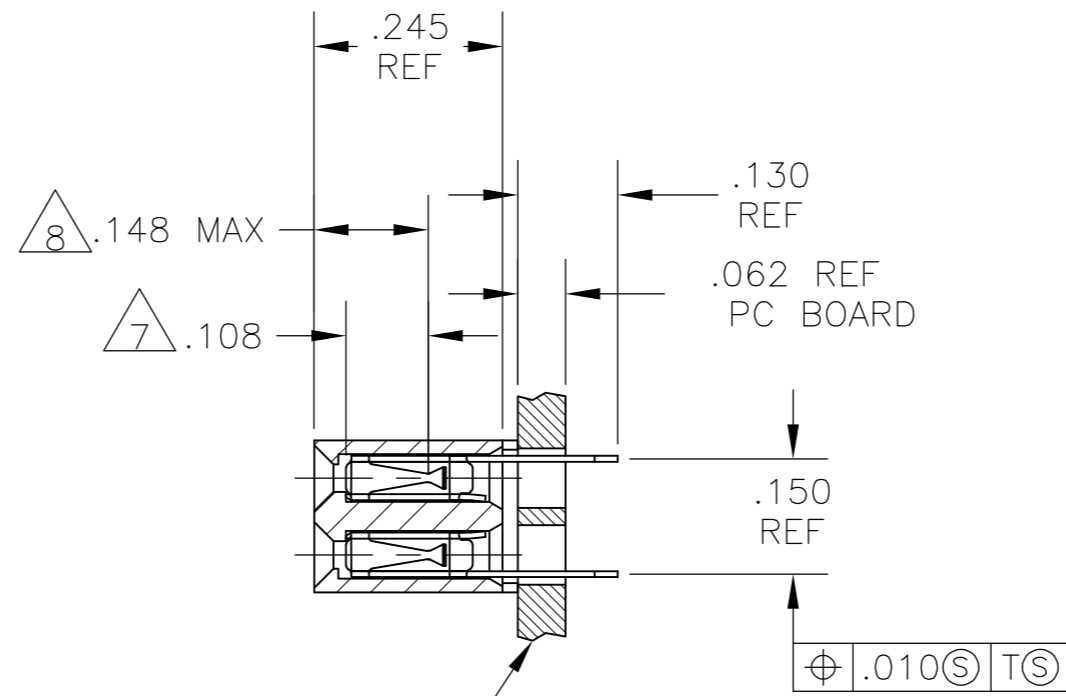
LOC	DIST	REVISIONS			
P	LTR	DESCRIPTION	DATE	DWN	APVD
	L	EC 0G3C 0054 05	03MAR05	BSV	JRO
	L1	REVISED PER ECO-09-021510	12SEP09	KK	AEG



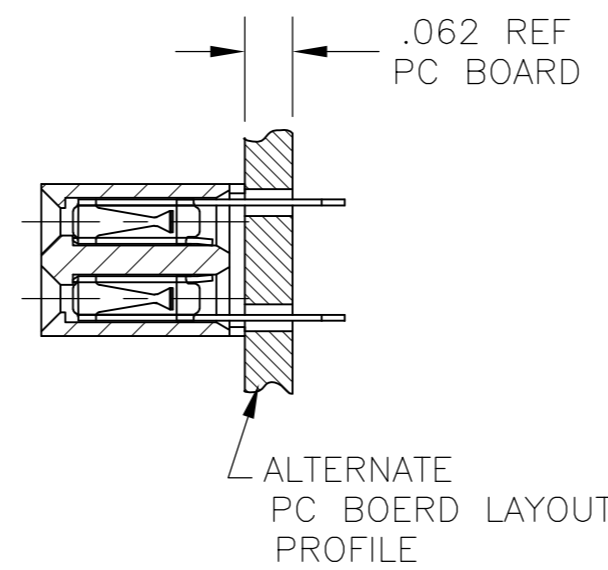
RECOMMENDED PC BOARD LAYOUT FOR POST TIP CLEARANCE THROUGH BOARD



ALTERNATE PC BOARD LAYOUT FOR POST TIP CLEARANCE THROUGH BOARD



RECOMMENDED PC BOARD LAYOUT PROFILE



- 1 HOUSING: HIGH-TEMPERATURE, FLAME-RETARDANT THERMOPLASTIC; COLOR-BLACK.
- 2 CONTACTS: PHOSPHOR BRONZE
- 3 DUPLEX PLATED: .000030 GOLD IN CONTACT AREA ONLY, .000150-.000300 BRIGHT TIN-LEAD ON SOLDER LEADS, ALL OVER .000050 MIN NICKEL.
- 4 TYCO LOGO AND CSA LOGO ARE MOLDED INTO HOUSING
- 5 THESE DIMENSIONS PERTAIN TO CAVITY CENTERLINES ONLY--NOT TO CONTACT LOCATIONS.
- 6 TOLERANCE IS NON-CUMULATIVE.
- 7 POINT-OF-MEASUREMENT DIMENSION FOR PLATING THICKNESS (INSIDE CONTACT BEAMS).
- 8 POINT-OF-CONTACT DIMENSION.
- 9 DUPLEX PLATED: .000030 GOLD IN CONTACT AREA ONLY, .000150-.000300 MATTE TIN ON SOLDER LEADS, ALL OVER .000050 MIN NICKEL.
- 10 ROHS 2002/ 95/EC COMPLIANT
- 11 PART NUMBER AND DATE CODE ARE MARKED IN APPROXIMATE LOCATION SHOWN
- 12 FOR 2 POS, DATE CODE IS MARKED OPPOSITE SIDE OF TYCO LOGO
- 13 NO PART NUMBER MARKING IS REQUIRED ON THIS PART
- 14 OBSOLETE PARTS: OBSOLETE CIS STREAMLINING PER D.RENAUD/D.SINISI

THIS DRAWING IS A CONTROLLED DOCUMENT.		DWN D BIECHLER 01/11/88	Tyco Electronics Corporation Harrisburg, Pa 17105-3608	
DIMENSIONS: INCHES		CHK DIRK DIXON 03/11/88	NAME RECEPTACLE ASSEMBLY, MOD IV, DOUBLE-ROW, .100x.100 C/L, CLOSED-ENTRY, VERTICAL-MOUNTED, HIGH-TEMPERATURE	
TOLERANCES UNLESS OTHERWISE SPECIFIED: 0 PLC ± - 1 PLC ± - 2 PLC ± - 3 PLC ± - 4 PLC ± - ANGLES ± - FINISH		APVD DIRK DIXON 03/11/88	PRODUCT SPEC 108-25022	RESTRICTED TO -
MATERIAL 1 2		APPLICATION SPEC 114-25018	SIZE A2	CAGE CODE 00779
CUSTOMER DRAWING		WEIGHT -	DRAWING NO C=535576	SCALE 4:1
		SHEET 1 OF 2		REV L1

THIS DRAWING IS UNPUBLISHED. RELEASED FOR PUBLICATION
 © COPYRIGHT BY TYCO ELECTRONICS CORPORATION. ALL RIGHTS RESERVED.

LOC		DIST		REVISIONS			
P	LTR	DESCRIPTION		DATE	DWN	APVD	
-	-	SEE SHEET 1		-	-	-	

	3.900	4.000	80		9-535576-0
	3.800	3.900	78		8-535576-9
	3.700	3.800	76		8-535576-8
	3.600	3.700	74		8-535576-7
	3.400	3.500	70		8-535576-6
	3.300	3.400	68		8-535576-5
	3.200	3.300	66		8-535576-4
	3.100	3.200	64		8-535576-3
	2.800	2.900	58		8-535576-2
	2.700	2.800	56		8-535576-1
	2.600	2.700	54		8-535576-0
	2.500	2.600	52		7-535576-9
	2.400	2.500	50		7-535576-8
	2.300	2.400	48		7-535576-7
	2.200	2.300	46		7-535576-6
	2.100	2.200	44		7-535576-5
	2.000	2.100	42		7-535576-4
	1.800	1.900	38		7-535576-3
	1.700	1.800	36		7-535576-2
	1.600	1.700	34		7-535576-1
	1.300	1.400	28		7-535576-0
	1.100	1.200	24		6-535576-9
	1.000	1.100	22		6-535576-8
	.900	1.000	20		6-535576-7
	.800	.900	18		6-535576-6
	.700	.800	16		6-535576-5
	.600	.700	14		6-535576-4
	.300	.600	12		6-535576-3
	.300	.400	8		6-535576-2
	.200	.300	6		6-535576-1
	.100	.200	4		6-535576-0
	-	.100	2		5-535576-9
	1.200	1.300	26		5-535576-8
	2.900	3.000	60		5-535576-7
	1.900	2.000	40		5-535576-6
	3.500	3.600	72		5-535576-5
	1.500	1.600	32		5-535576-4
	1.400	1.500	30		5-535576-3
	3.000	3.100	62		5-535576-2
	.400	.500	10		5-535576-1
FINISH	B	A	NO. OF POSN	ASSEMBLY PART NUMBER	

	3.900	4.000	80		4-535576-0
	3.800	3.900	78		3-535576-9
	3.700	3.800	76		3-535576-8
	3.600	3.700	74		3-535576-7
	3.400	3.500	70		3-535576-6
	3.300	3.400	68		3-535576-5
	3.200	3.300	66		3-535576-4
	3.100	3.200	64		3-535576-3
	2.800	2.900	58		3-535576-2
	2.700	2.800	56		3-535576-1
	2.600	2.700	54		3-535576-0
	2.500	2.600	52		2-535576-9
	2.400	2.500	50		2-535576-8
	2.300	2.400	48		2-535576-7
	2.200	2.300	46		2-535576-6
	2.100	2.200	44		2-535576-5
	2.000	2.100	42		2-535576-4
	1.800	1.900	38		2-535576-3
	1.700	1.800	36		2-535576-2
	1.600	1.700	34		2-535576-1
	1.300	1.400	28		2-535576-0
	1.100	1.200	24		1-535576-9
	1.000	1.100	22		1-535576-8
	.900	1.000	20		1-535576-7
	.800	.900	18		1-535576-6
	.700	.800	16		1-535576-5
	.600	.700	14		1-535576-4
	.300	.600	12		1-535576-3
	.300	.400	8		1-535576-2
	.200	.300	6		1-535576-1
	.100	.200	4		1-535576-0
	-	.100	2		535576-9
	1.200	1.300	26		535576-8
	2.900	3.000	60		535576-7
	1.900	2.000	40		535576-6
	3.500	3.600	72		535576-5
	1.500	1.600	32		535576-4
	1.400	1.500	30		535576-3
	3.000	3.100	62		535576-2
	.400	.500	10		535576-1
FINISH	B	A	NO. OF POSN	ASSEMBLY PART NUMBER	

OBSOLETE

OBSOLETE

OBSOLETE

THIS DRAWING IS A CONTROLLED DOCUMENT.

DWN	D BIECHLER	01/11/88	Tyco Electronics Corporation Harrisburg, Pa 17105-3608
CHK	DIRK DIXON	03/11/88	
APVD	DIRK DIXON	03/11/88	
PRODUCT SPEC	108-25022		
APPLICATION SPEC	114-25018		NAME
WEIGHT	-		RECEPTACLE ASSEMBLY, MOD IV, DOUBLE-ROW, .100x.100 C/L, CLOSED-ENTRY, VERTICAL-MOUNTED, HIGH-TEMPERATURE
CUSTOMER DRAWING	SCALE	1:1	SHEET
			2 OF 2
			REV L1

RESTRICTED TO