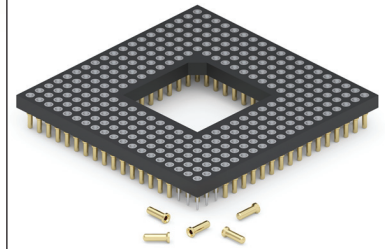
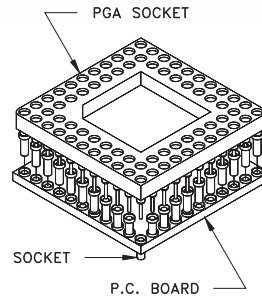


PIN GRID ARRAY SOCKETS

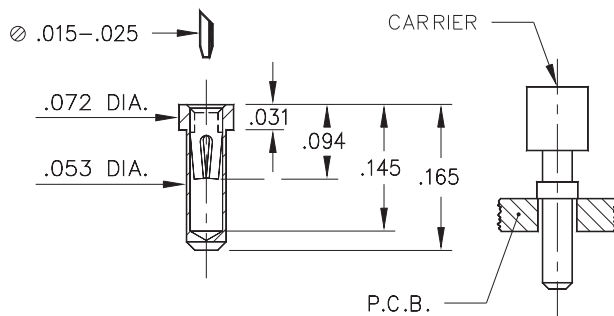
SERIES 605, 614 • .100" AND INTERSTITIAL GRID • CARRIER TYPE

- Series 614 & 605 PGA carrier sockets offer 4 receptacle styles
- Many combinations of receptacles and clips to cover all applications
- Carrier sockets provide a convenient way of loading groups of receptacles onto a PC board
- Removeable insulator makes carriers ideal for low profile applications
- High temperature PCT polyester insulator material suitable for all forms of soldering including lead-free
- For Electrical, Mechanical and Environmental Data, see page 137 for details

APPLICATION OF PGA SOCKET CARRIERS

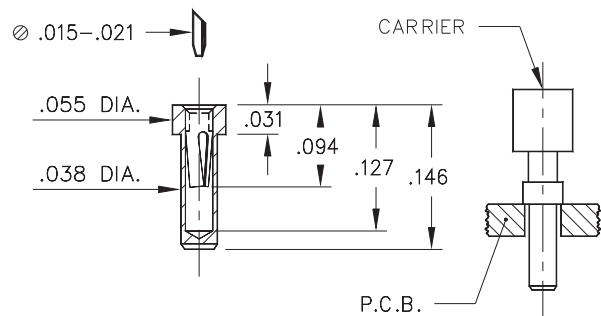


SERIES 614...001, 002, 003 LOW PROFILE SOCKET

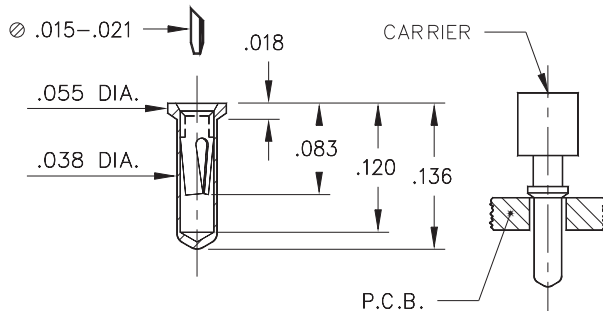


For .100" Grid Only

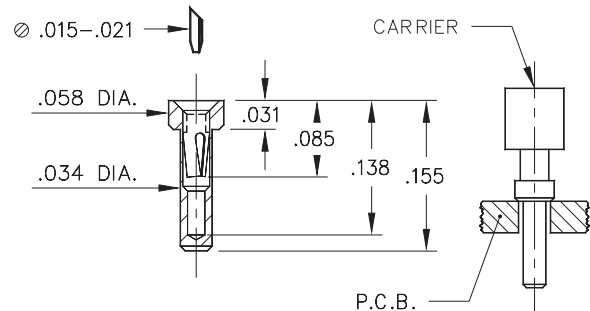
SERIES 614...007 MINIATURE SOCKET



SERIES 614...012 LOWEST PROFILE SOCKET





SERIES 605...048 REDUCED BARREL SOCKET



XX=Plating Code
See Below

RoHS-2
2011/65/EU

Visit www.mill-max.com/pga
to configure a formal part number

SPECIFY PLATING CODE XX=	13	93	43
Sleeve (Pin) 	10 μ" Au	200 μ" Sn/Pb	200 μ" Sn
Contact (Clip) 	30 μ" Au	30 μ" Au	30 μ" Au

