



**Mallory Sonalert Products, Inc.**

Part #:

**SCS045MD9DT3S**

# Sales Outline Drawing

Revision:

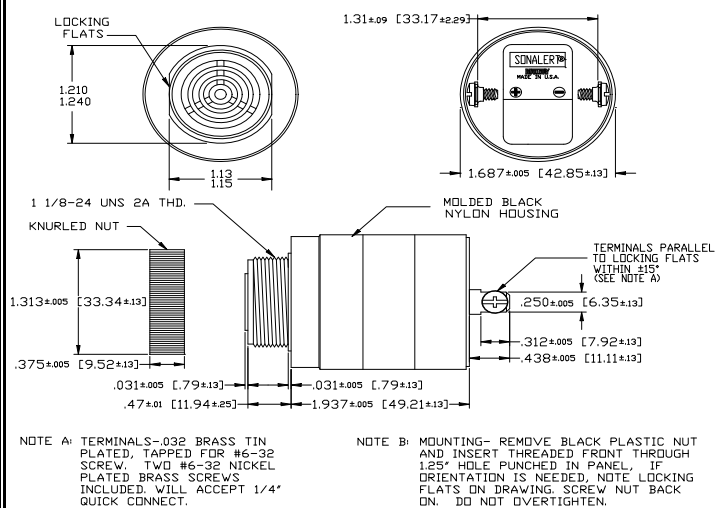
**E**

## Specifications:

Sound Level Category	Medium
Mode of Operation	Dual Tone 1 KHz – 800 Hz
Voltage Rating	10 to 45 VDC
Frequency	1000 - 800 Hz
Loudness @ 2 FT	80 dB(A) Typ.
Current Draw	250mA MAX
Housing Material	6/6 Nylon, Color: Black
Storage Temperature	-40° to +85° C
Operating Temperature	-30° to +65° C
Panel Mounting	Recommended hole size is 1.25"(31.75mm). Thread front will fit standard 30mm(1.181") hole.
Knurled Nut	Used to attach part to panel. The max recommended torque is 10 in-lbs.
Weight (Typical)	2.1 oz (60g)
NEMA 3R,4X, & 12	Approved with use of ACC03.
Options	Please contact factory.

## Dimensions: Inches (mm)

**PART DIMENSIONS BEFORE CODE DATE: 1206 5**



## ROHS Compliant

**PART DIMENSIONS AFTER CODE DATE: 1207 1**

