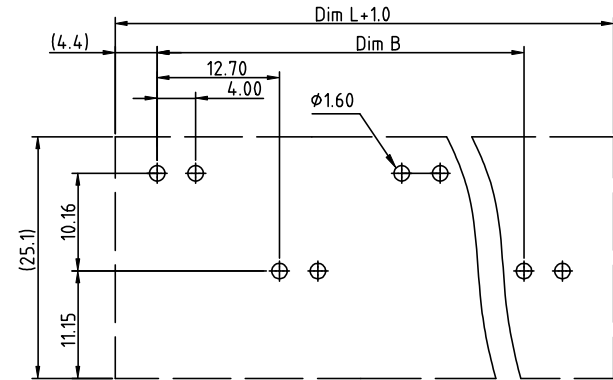
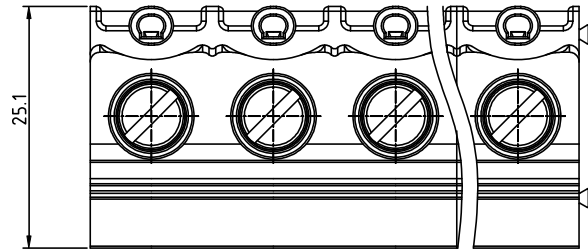
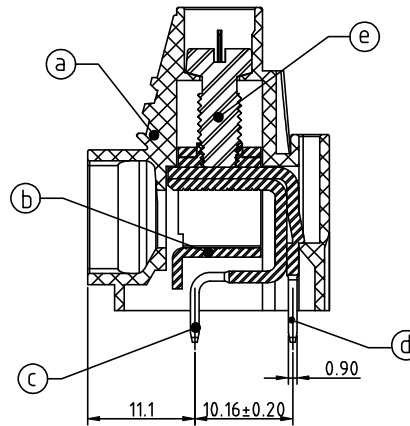
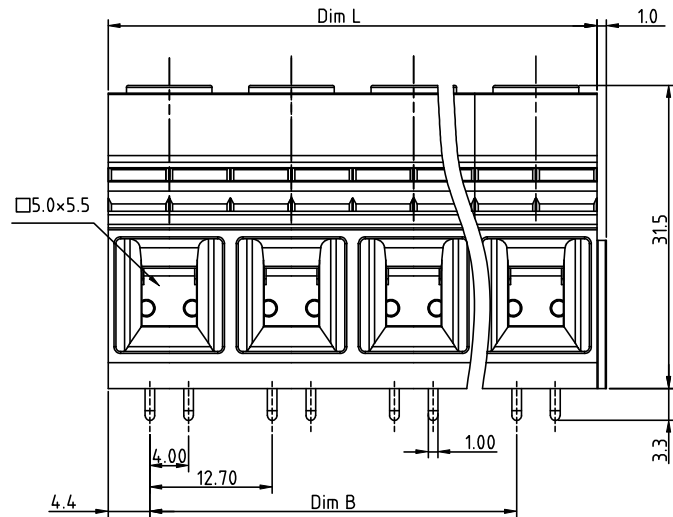


PRODUCT NUMBER	PITCH
VPxx85x700J0G	12.70mm



RECOMMENDED P.C.B LAYOUT  
TOP VIEW



Material:

- Item(a)Terminal housing :Thermoplastic (UL 94V-0)
- Item(b)Clamp : Steel stamping , Zinc plated
- Item(c)Solder pin1: Copper ,Tin plated
- Item(d)Solder pin2 : Copper,Tin plated
- Item(e)Terminal screw: Steel Zinc plating"-slot type

Electrical cULs/IEC

- Voltage rating : 600V / 1000V
- Current rating : 65A / 76A
- Wire range :
- Solid wire (AWG) : 6-20 / 16.00mm<sup>2</sup>
- Stranded wire (AWG) : 6-20 / 16.00mm<sup>2</sup>
- Torque : 19Lb-In / 1.2N.m
- Screw : M4.5
- Wire strip length : 10-11mm
- Withstanding voltage : 2.2KV 6KV
- Operating temperature : -40°C+115°C
- Soldering temperature : 260°C+5°C/5 Sec
- Safety Approval : US

PART NO.: VP xx 8 5 x 7 00J0 G

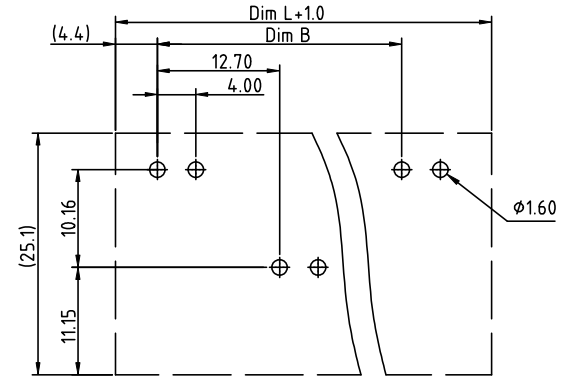
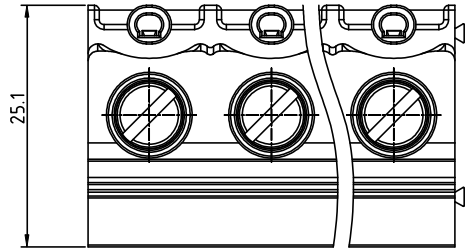
N = Number of poles

Dim L=Nx12.70	
Dim B=(N-1)x12.70	
<b>POLES</b>	<b>Tolerance</b>
2P/4P	±0.15
6P/8P	±0.20
10P/12P	±0.30

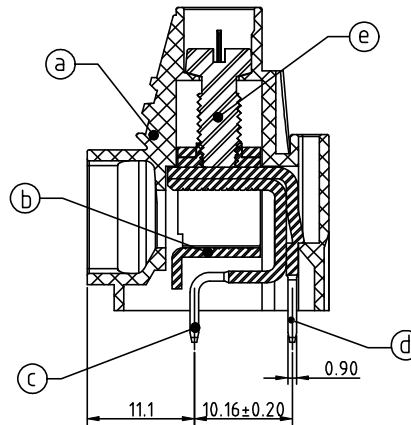
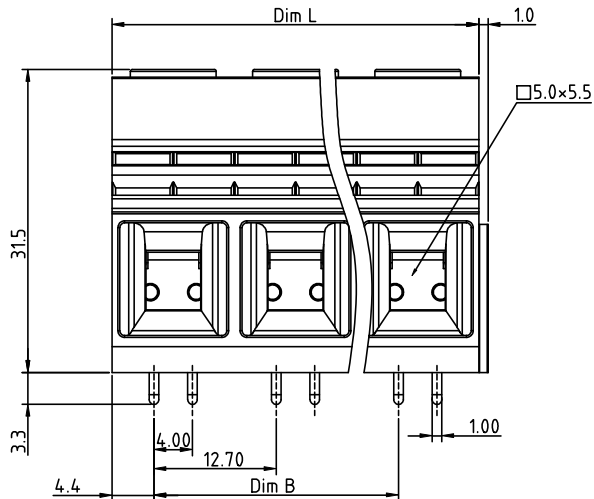
End Stackable	0	Black (RAL9005)	RoHS compliant (lead<4%)
No. of poles	2	Red (RAL3001/D)	In copper Alloy
02 2 poles	3	Orange(RAL2011/P)	
04 4 poles	4	Yellow(RAL1018/A)	
...	5	Green(RAL6018/T)	
12 12 poles	6	Blue (RAL5015/A)	
	8	Grey(RAL7035/D)	
	9	White(RAL1102)	
	C	Green(RAL6018/U)	

mat'l. code				surface ASME Y14.5	tolerance ASME Y14.5	projection	product family	
ltr	ecn no	dr	date	tolerances unless otherwise specified			TERMINAL BLOCK	
				angles	X.±0.5	MM [INCH]	title	
				X'±1"	X.X±0.3		TERMINAL BLOCK	
					X.XX±0.1	scale	RISING CLAMP,DOUBLE TAIL INTERLACE TYPE,EVEN POLES	
		dr	EVIN ZHONG	041414			sheet 1 of 2 size	
		enr	EVIN ZHONG	041414			VPxx85x700J0G	
		chr	HANKE FENG	041414			A4	
		appd	SHI JUN	041414			CUSTOMER Drawing	
sheet index	revision sheet	A	1					

PRODUCT NUMBER	PITCH
VPxx85x700J0G	12.70mm



RECOMMENDED P.C.B LAYOUT  
TOP VIEW



Material:

- Item a Terminal housing :Thermoplastic (UL 94V-0)
- Item b Clamp : Steel stamping , Zinc plated
- Item c Solder pin1: Copper ,Tin plated
- Item d Solder pin2 : Copper ,Tin plated
- Item e Terminal screw: Steel Zinc plating"- "slot type

Electrical cULs/IEC

- Voltage rating : 600V / 1000V
- Current rating : 65A / 76A
- Wire range :
- Solid wire (AWG) : 6-20 / 16.00mm<sup>2</sup>
- Stranded wire (AWG) : 6-20 / 16.00mm<sup>2</sup>
- Torque : 19Lb-In / 1.2N.m
- Screw : M4.5
- Wire strip length : 10-11mm
- Withstanding voltage : 2.2KV 6KV
- Operating temperature : -40°C+115°C
- Soldering temperature : 260°C+5°C/5 Sec
- Safety Approval : cULs US

PART NO.: VP xx 8 5 x 7 00J0 G

N = Number of poles

Dim L=N×12.70
Dim B=(N-1)×12.70

POLES	Tolerance
3P/5P	±0.15
7P/9P	±0.20
11P	±0.30

End Stackable  
No. of poles  
03 3 poles  
05 5 poles  
... ..  
11 11 poles

Body Color  
0 Black (RAL9005)  
2 Red (RAL3001/D)  
3 Orange(RAL2011/P)  
4 Yellow(RAL1018/A)  
5 Green(RAL6018/T)  
6 Blue (RAL5015/A)  
8 Grey(RAL7035/D)  
9 White(RAL1102)  
C Green(RAL6018/U)

RoHS compliant  
(lead<4%)  
In copper Alloy

mat'l. code				surface ASME Y14.5	tolerance ASME Y14.5	projection	product family TERMINAL BLOCK		
ltr	ecn no	dr	date	tolerances unless otherwise specified			title		
				angles	X.±0.5	MM [INCH]	TERMINAL BLOCK		
				X'±1"	X.X±0.3		RISING CLAMP,DOUBLE TAIL INTERLACE TYPE,ODD POLES		
					X.XX±0.1	scale	sheet 2 of 2 size		
				dr	EVIN ZHONG	041414	FCI		
				enr	EVIN ZHONG	041414	VPxx85x700J0G		
				chr	HANKE FENG	041414	A4		
				appd	SHI JUN	041414	type CUSTOMER Drawing		
sheet index	revision sheet	A	2						