

NCP2821

2.65 W Filterless with Selectable Gain Class-D Audio Amplifier

NCP2821 is a cost effective mono audio power amplifier designed for portable communication device applications such as mobile phones. The internal gain setting between 6 dB and 12 dB will also save external gain setting resistors. To achieve a typical audio mono application, you only need an external capacitor for filtering the power supply. The NCP2821 processes analog inputs with a PWM technique that lowers significantly output noise and THD.

This part is capable of delivering 2.65 W of continuous average power to a 4.0 Ω BTL load from a 5.0 V power supply. Operating on a single 3 V supply, the output power stage can provide 500 mW to an 8.0 Ω BTL load with less than 1% THD+N. For cellular handsets or PDAs it offers space and cost savings because no output filter is required when using inductive transducers. Its improved Class-D technology makes it suitable for portable devices. With 90% efficiency and very low shutdown current, it increases widely the lifetime of your battery compared to a ClassAB solution. It also minimizes the junction temperature.

It fully rejects “pop & click” noises with a fast start-up time of 9 ms. Added to a -65 dB PSRR, the NCP2821 audio power amplifier is specifically designed to provide high quality output power from low supply voltage, requiring only 1 external capacitor.

Features

- Optimized PWM Output Stage: Filterless Capability
- Selectable Gain of 6 dB or 12 dB: No Need for External Gain Setting Resistors
- Efficiency up to 90% and Low Quiescent Current

Maximum Battery Life and Minimum Heat

- High Output Power Capability: 1.4 W with 8.0 Ω Load
- Wide Supply Voltage Range: 2.5–5.5 V Operating Voltage
- High Performance, THD+N of 0.05%
- Excellent PSRR (-65 dB): No Need for Voltage Regulation
- Surface Mounted Package 9-Pin Flip-Chip CSP
- Fully Differential Capability: No Need for Input Coupling Capacitor
- Very Fast Turn On Time: 9.0 ms (typ)
- “Pop and Click” Noise Protection Circuitry

Applications

- Cellular Phone
- Personal Computer
- PDAs
- Portable Electronic Devices



ON Semiconductor®

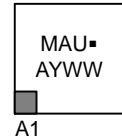
<http://onsemi.com>

MARKING DIAGRAM



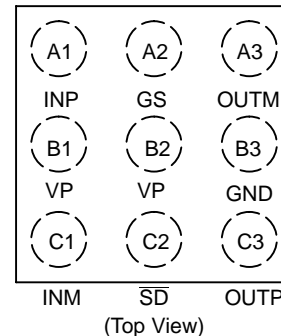
9-PIN FLIP-CHIP CSP
FC SUFFIX
CASE 499AL

1



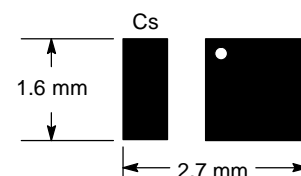
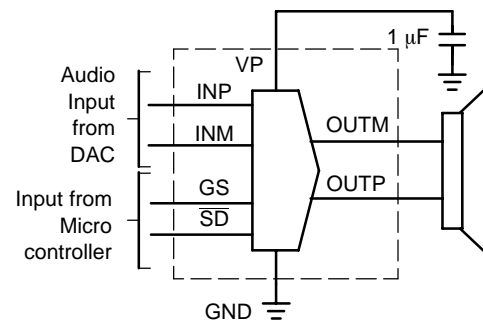
MAU = Device Code
A = Assembly Location
Y = Year
WW = Work Week
▪ = Pb-Free Package

PIN CONNECTIONS 9-Pin Flip-Chip CSP



ORDERING INFORMATION

See detailed ordering and shipping information on page 18 of this data sheet.



Solution Size

NCP2821

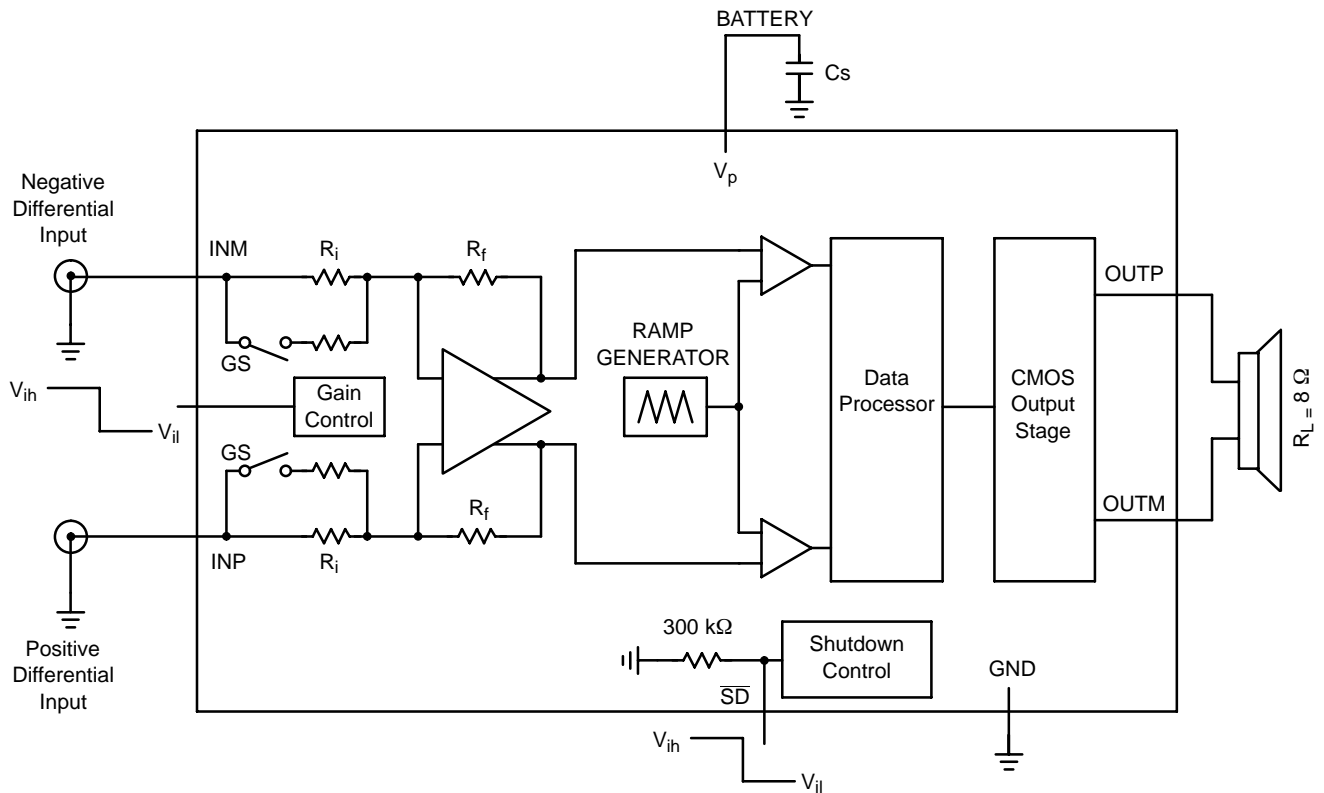


Figure 1. Typical Application

PIN DESCRIPTION

Pin No.	Symbol	Type	Description
A1	INP	I	Positive Differential Input.
A2	GS	I	Gain Select Input.
A3	OUTM	O	Negative BTL Output.
B1	V _p	I	Power Analog Positive Supply. Range: 2.5 V – 5.5 V.
B2	V _p	I	Power Analog Positive Supply. Range: 2.5 V – 5.5 V.
B3	GND	I	Analog Ground.
C1	INM	I	Negative Differential Input.
C2	\overline{SD}	I	Shutdown Input.
C3	OUTP	O	Positive BTL Output.

NCP2821

MAXIMUM RATINGS

Rating	Symbol	Max	Unit
Supply Voltage	V_p	6.0	V
Operating Supply Voltage	$O_p V_p$	2.5 to 5.5	V
Input Voltage	V_{in}	-0.3 to $V_p + 0.3$	V
Power Dissipation (Note 1)	P_d	Internally Limited	–
Operating Ambient Temperature	T_A	-40 to +85	°C
Max Junction Temperature	T_J	150	°C
Storage Temperature Range	T_{stg}	-65 to +150	°C
Thermal Resistance Junction-to-Air	$R_{\theta JA}$	90 (Note 2)	°C/W
ESD Protection			
Human Body Model (HBM) (Note 3)	–	> 2000	V
Machine Model (MM) (Note 4)	–	> 200	
Latchup Current @ $T_A = 85^\circ\text{C}$ (Note 5)	–	± 100	mA

Maximum ratings are those values beyond which device damage can occur. Maximum ratings applied to the device are individual stress limit values (not normal operating conditions) and are not valid simultaneously. If these limits are exceeded, device functional operation is not implied, damage may occur and reliability may be affected.

1. The thermal shutdown is set to 160°C (typical) avoiding irreversible damage to the device due to power dissipation.
2. For the 9-Pin Flip-Chip CSP package, the $R_{\theta JA}$ is highly dependent of the PCB Heatsink area. For example, $R_{\theta JA}$ can equal 195°C/W with 50 mm² total area and also 135°C/W with 500 mm². When using ground and power planes, the value is around 90°C/W, as specified in table.
3. Human Body Model: 100 pF discharged through a 1.5 kΩ resistor following specification JESD22/A114.
4. Machine Model: 200 pF discharged through all pins following specification JESD22/A115.
5. Latchup Testing per JEDEC Standard JESD78. SD and GS are qualified at 70 mA versus 100 mA for the other pins.

NCP2821

ELECTRICAL CHARACTERISTICS (Limits apply for $T_A = +25^\circ\text{C}$ unless otherwise noted)

Characteristic	Symbol	Conditions	Min	Typ	Max	Unit	
Operating Supply Voltage	V_P	$T_A = -40^\circ\text{C}$ to $+85^\circ\text{C}$	2.5	–	5.5	V	
Supply Quiescent Current	I_{dd}	$V_P = 3.6\text{ V}$, $R_L = 8.0\ \Omega$	–	2.5	–	mA	
		$V_P = 5.5\text{ V}$, No Load	–	3.1	–		
		V_P from 2.5 V to 5.5 V, No Load	–	–	–		
		$T_A = -40^\circ\text{C}$ to $+85^\circ\text{C}$	–	–	4.5		
Shutdown Current	I_{sd}	$V_P = 4.2\text{ V}$, $T_A = +25^\circ\text{C}$	–	0.5	–	μA	
		$V_P = 5.5\text{ V}$, $T_A = +25^\circ\text{C}$	–	0.8	–	μA	
		$V_P = 2.5\text{ V}$ to 5.5 V	–	–	–		
		$T_A = -40^\circ\text{C}$ to $+85^\circ\text{C}$	–	–	1.4		
SD Voltage High	V_{sdih}		1.2	–	–	V	
SD Voltage Low	V_{sdil}		–	–	0.4	V	
GS Voltage High	V_{gsih}		1.2	–	–	V	
GS Voltage Low	V_{gsil}		–	–	0.4	V	
Differential Input Resistance	R_{in}	G = 6 dB	–	150	–	k Ω	
		G = 12 dB	–	75	–	k Ω	
Switching Frequency	F_{SW}	$V_P = 2.5\text{ V}$ to 5.5 V $T_A = -40^\circ\text{C}$ to $+85^\circ\text{C}$	200	250	300	kHz	
Gain	G	$R_L = 8.0\ \Omega$, $V_{GS} = \text{High}$	5.5	6	6.5	dB	
		$R_L = 8.0\ \Omega$, $V_{GS} = \text{Low}$	11.5	12	12.5	dB	
Resistance from SD to Gnd	R_{SD}		200	300	–	k Ω	
Output Offset Voltage	V_{os}	$T_A = -40^\circ\text{C}$ to $+85^\circ\text{C}$	–25	2.5	+25	mV	
Turn On Time	T_{ON}	$V_P = 2.5\text{ V}$ to 5.5 V	–	9	–	ms	
Turn Off Time	T_{OFF}	$V_P = 2.5\text{ V}$ to 5.5 V	–	5	–	ms	
Thermal Shutdown Temperature	T_{sd}		–	160	–	$^\circ\text{C}$	
Output Noise Voltage	V_n	$V_P = 3.6\text{ V}$	–	–	–	μVrms	
		F = 20kHz to 20kHz	–	63	–		
		No weighting filter	–	–	–		
		A weighting filter	–	40	–		
RMS Output Power	P_o	$R_L = 8\ \Omega$, f = 1 kHz, THD+N < 1%	$V_P = 2.5\text{ V}$	–	0.32	–	W
			$V_P = 3.0\text{ V}$	–	0.48	–	
			$V_P = 3.6\text{ V}$	–	0.7	–	
			$V_P = 4.2\text{ V}$	–	0.97	–	
			$V_P = 5.0\text{ V}$	–	1.38	–	
			$R_L = 8\ \Omega$, f = 1 kHz, THD+N < 10%	$V_P = 2.5\text{ V}$	–	0.4	–
		$V_P = 3.0\text{ V}$		–	0.59	–	
		$V_P = 3.6\text{ V}$		–	0.87	–	
		$V_P = 4.2\text{ V}$		–	1.19	–	
		RMS Output Power	P_o	$R_L = 4\ \Omega$, f = 1 kHz, THD+N < 1%	$V_P = 2.5\text{ V}$	–	0.49
$V_P = 3.0\text{ V}$	–				0.72	–	
$V_P = 3.6\text{ V}$	–				1.06	–	
$V_P = 4.2\text{ V}$	–				1.62	–	
$V_P = 5.0\text{ V}$	–				2.12	–	
$R_L = 4\ \Omega$, f = 1 kHz, THD+N < 10%	$V_P = 2.5\text{ V}$				–	0.6	–
	$V_P = 3.0\text{ V}$			–	0.9	–	
	$V_P = 3.6\text{ V}$			–	1.33	–	
	$V_P = 4.2\text{ V}$			–	2.0	–	
$V_P = 5.0\text{ V}$	–			2.65	–		

NCP2821

ELECTRICAL CHARACTERISTICS (Limits apply for $T_A = +25^\circ\text{C}$ unless otherwise noted)

Characteristic	Symbol	Conditions	Min	Typ	Max	Unit
Total Harmonic Distortion + Noise	THD+N	$V_p = 5.0\text{ V}$, $R_L = 8\ \Omega$, $f = 1\text{ kHz}$, $P_{out} = 0.25\text{ W}$	-	0.05	-	%
		$V_p = 3.6\text{ V}$, $R_L = 8\ \Omega$, $f = 1\text{ kHz}$, $P_{out} = 0.25\text{ W}$	-	0.09	-	%
Efficiency	η	$R_L = 8\ \Omega$, $f = 1\text{ kHz}$ $V_p = 5\text{ V}$, $P_{out} = 1.2\text{ W}$ $V_p = 3.6\text{ V}$, $P_{out} = 600\text{ mW}$	-	91	-	%
		$R_L = 4\ \Omega$, $f = 1\text{ kHz}$ $V_p = 5\text{ V}$, $P_{out} = 2\text{ W}$ $V_p = 3.6\text{ V}$, $P_{out} = 600\text{ mW}$	-	82	-	%
Common Mode Rejection Ratio	CMRR	$V_p = 2.5\text{ V to } 5.5\text{ V}$, $G = 6\text{ dB}$ $V_{ic} = 0.5\text{ V to } V_p - 0.8\text{ V}$ $V_p = 3.6\text{ V}$, $V_{ic} = 1\text{ V}_{pp}$ $G = 6\text{ dB}$, $f = 1\text{ kHz}$		-62		dB
		$G = 6\text{ dB}$, $f = 1\text{ kHz}$		-59		dB
		$G = 12\text{ dB}$, $f = 1\text{ kHz}$		-53		dB
Power Supply Rejection Ratio	PSRR	$V_{ripple_pk-pk} = 200\text{ mV}$, $R_L = 8\ \Omega$, Inputs AC grounded, $V_p = 3.6\text{ V}$ $f = 217\text{ Hz}$ $f = 1\text{ kHz}$	-	-63	-	dB

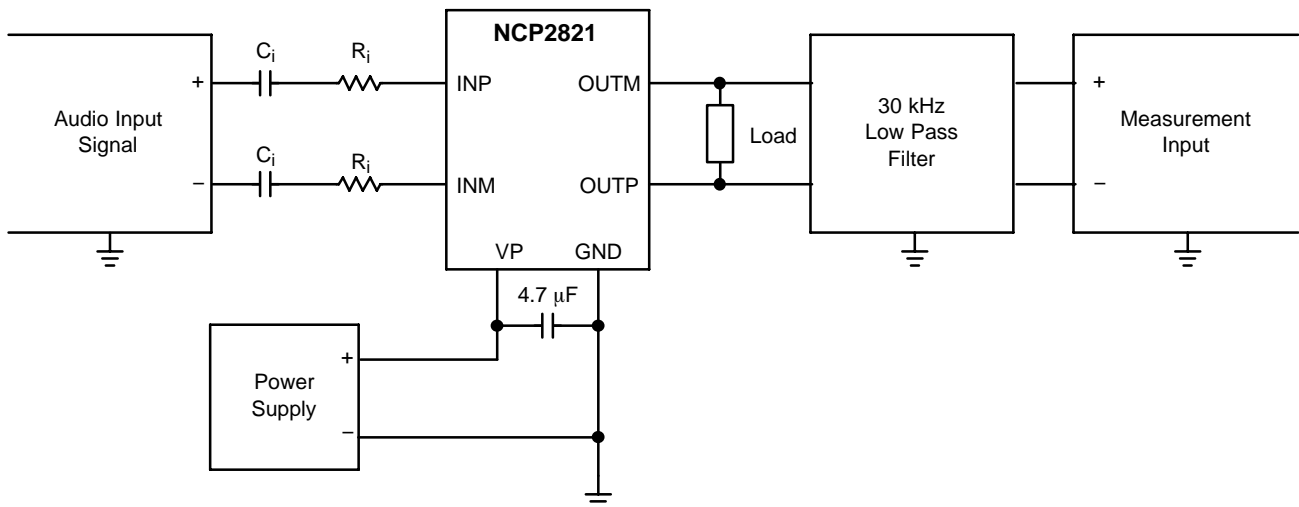


Figure 2. Test Setup for Graphs

NOTES:

- Unless otherwise noted, $C_i = 100\text{ nF}$ and $R_i = 150\text{ k}\Omega$. Thus, the gain setting is 2 V/V and the cutoff frequency of the input high pass filter is set to 10 Hz . Input capacitors are shorted for CMRR measurements.
- To closely reproduce a real application case, all measurements are performed using the following loads:
 $R_L = 8\ \Omega$ means Load = $15\ \mu\text{H} + 8\ \Omega + 15\ \mu\text{H}$
 $R_L = 4\ \Omega$ means Load = $15\ \mu\text{H} + 4\ \Omega + 15\ \mu\text{H}$
 Very low DCR $15\ \mu\text{H}$ inductors ($50\text{ m}\Omega$) have been used for the following graphs. Thus, the electrical load measurements are performed on the resistor ($8\ \Omega$ or $4\ \Omega$) in differential mode.
- For Efficiency measurements, the optional 30 kHz filter is used. An RC low-pass filter is selected with ($100\ \Omega$, 47 nF) on each PWM output.

NCP2821

TYPICAL CHARACTERISTICS

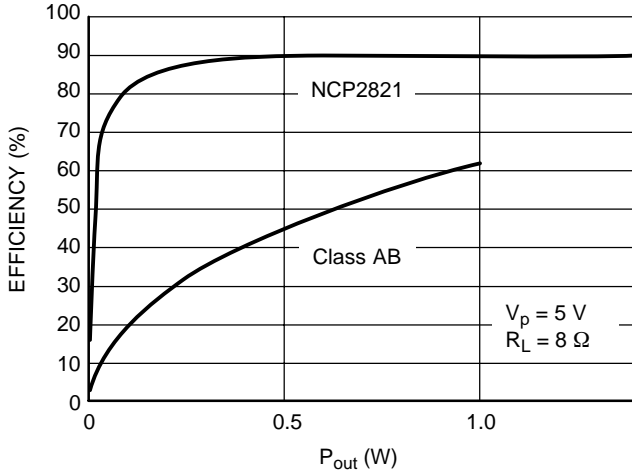


Figure 3. Efficiency vs. P_{out}
 $V_p = 5\text{ V}$, $R_L = 8\ \Omega$, $f = 1\text{ kHz}$

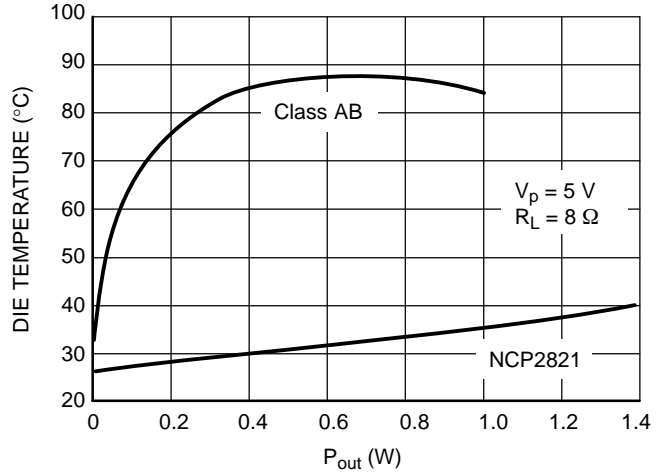


Figure 4. Die Temperature vs. P_{out}
 $V_p = 5\text{ V}$, $R_L = 8\ \Omega$, $f = 1\text{ kHz}$ @ $T_A = +25^\circ\text{C}$

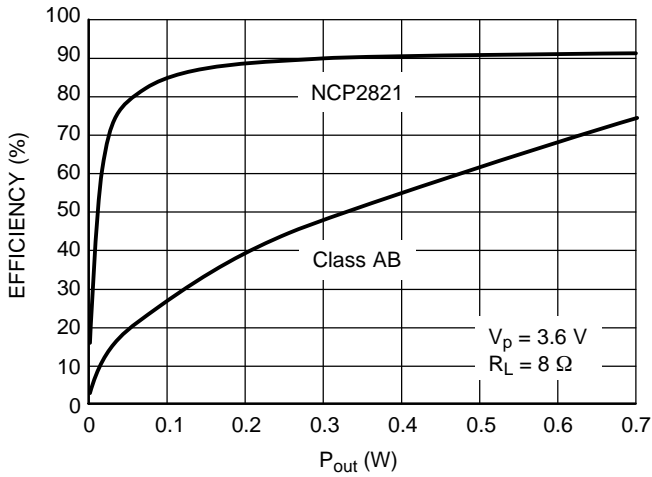


Figure 5. Efficiency vs. P_{out}
 $V_p = 3.6\text{ V}$, $R_L = 8\ \Omega$, $f = 1\text{ kHz}$

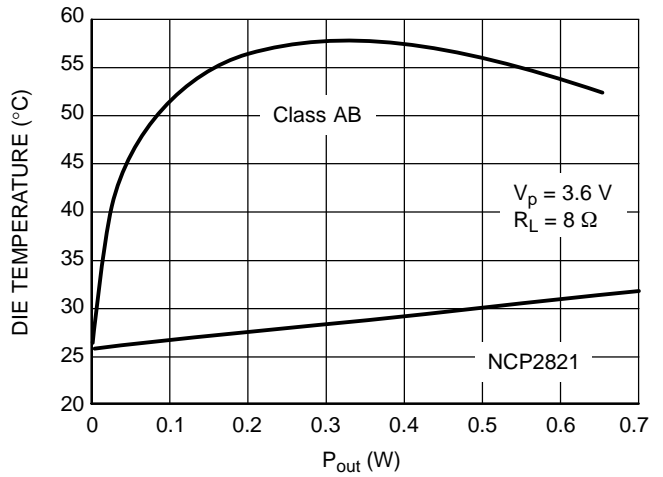


Figure 6. Die Temperature vs. P_{out}
 $V_p = 3.6\text{ V}$, $R_L = 8\ \Omega$, $f = 1\text{ kHz}$ @ $T_A = +25^\circ\text{C}$

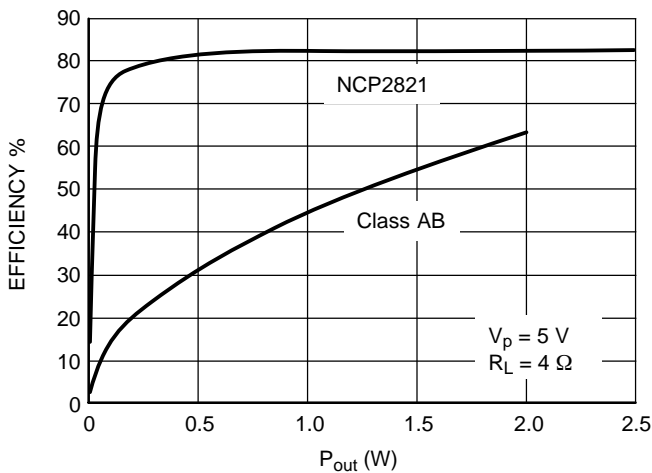


Figure 8. Efficiency vs. P_{out}
 $V_p = 5\text{ V}$, $R_L = 4\ \Omega$, $f = 1\text{ kHz}$

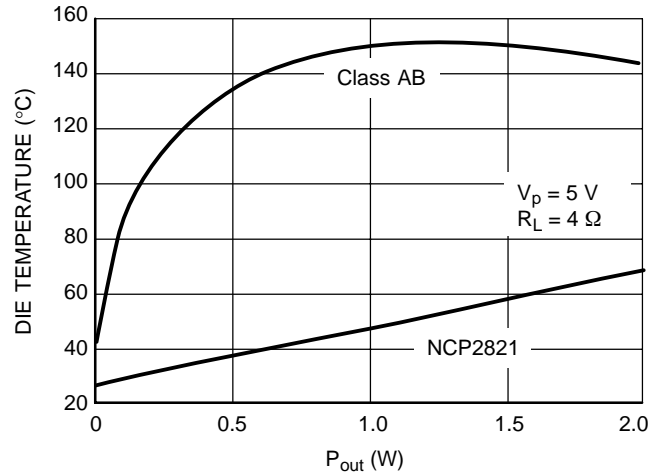


Figure 7. Die Temperature vs. P_{out}
 $V_p = 5\text{ V}$, $R_L = 4\ \Omega$, $f = 1\text{ kHz}$ @ $T_A = +25^\circ\text{C}$

TYPICAL CHARACTERISTICS

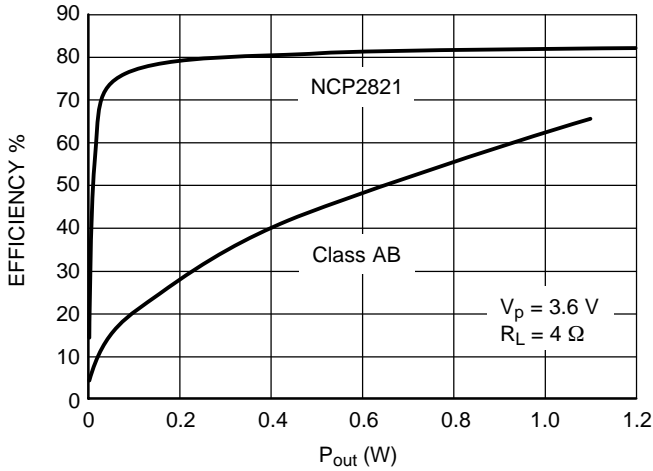


Figure 9. Efficiency vs. P_{out}
 $V_p = 3.6\text{ V}$, $R_L = 4\ \Omega$, $f = 1\text{ kHz}$

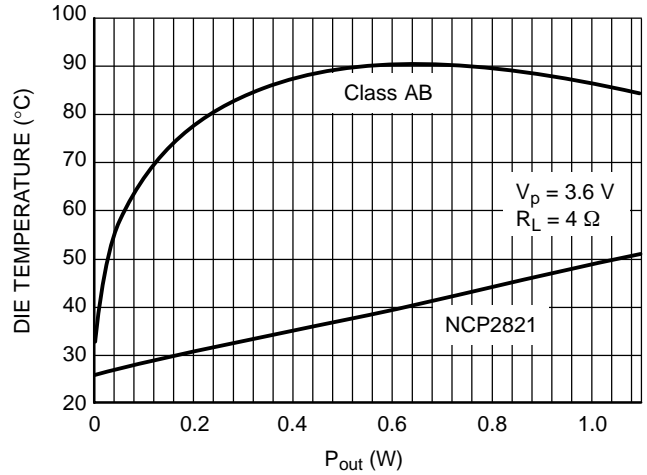


Figure 10. Die Temperature vs. P_{out}
 $V_p = 3.6\text{ V}$, $R_L = 4\ \Omega$, $f = 1\text{ kHz}$ @ $T_A = +25^\circ\text{C}$

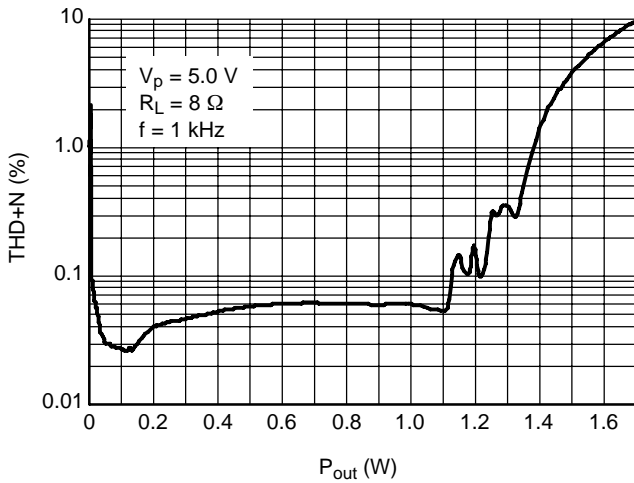


Figure 11. THD+N vs. P_{out}
 $V_p = 5\text{ V}$, $R_L = 8\ \Omega$, $f = 1\text{ kHz}$

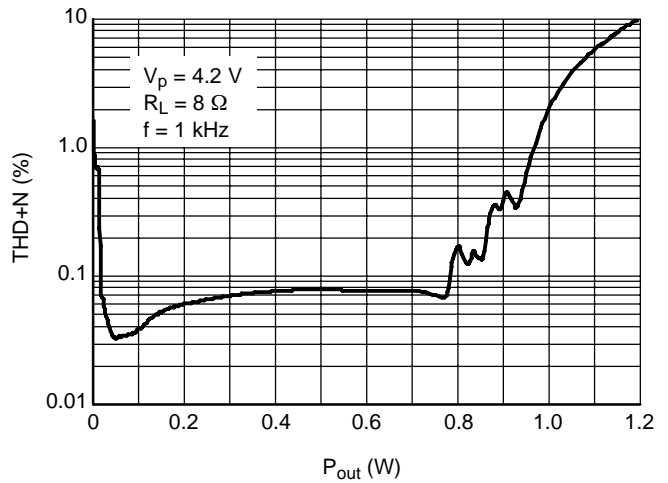


Figure 12. THD+N vs. P_{out}
 $V_p = 4.2\text{ V}$, $R_L = 8\ \Omega$, $f = 1\text{ kHz}$

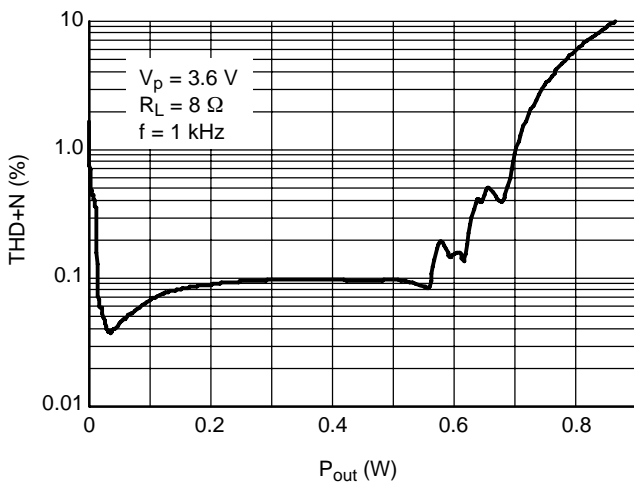


Figure 13. THD+N vs. P_{out}
 $V_p = 3.6\text{ V}$, $R_L = 8\ \Omega$, $f = 1\text{ kHz}$

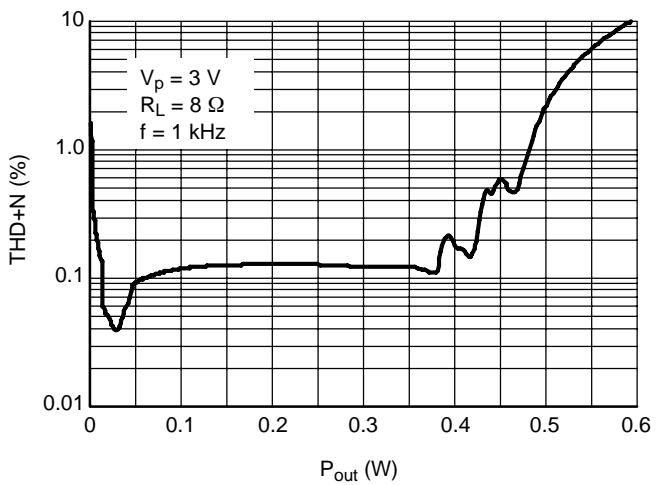


Figure 14. THD+N vs. P_{out}
 $V_p = 3\text{ V}$, $R_L = 8\ \Omega$, $f = 1\text{ kHz}$

TYPICAL CHARACTERISTICS

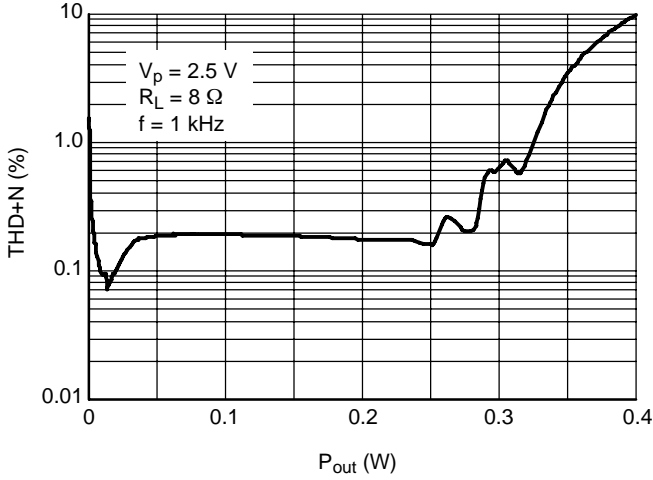


Figure 15. THD+N vs. Pout
 $V_p = 2.5\text{ V}$, $R_L = 8\ \Omega$, $f = 1\text{ kHz}$

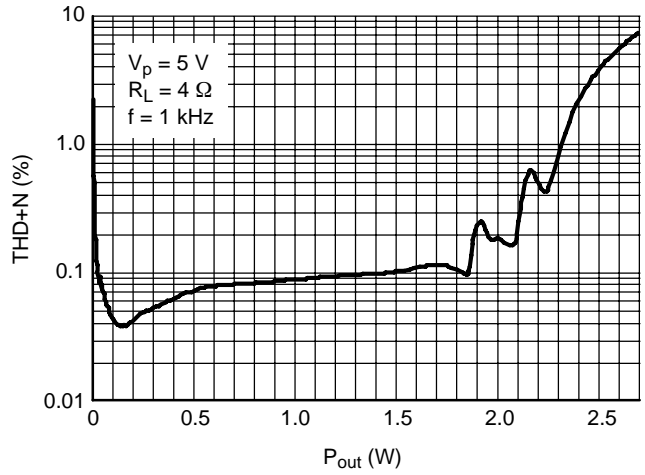


Figure 16. THD+N vs. Pout
 $V_p = 5\text{ V}$, $R_L = 4\ \Omega$, $f = 1\text{ kHz}$

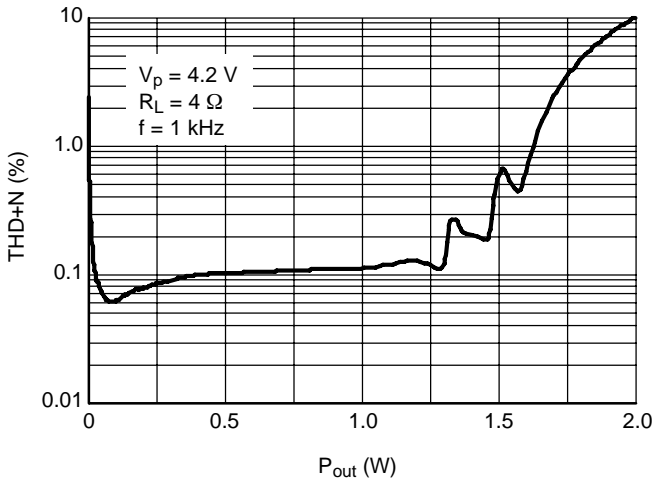


Figure 17. THD+N vs. Pout
 $V_p = 4.2\text{ V}$, $R_L = 4\ \Omega$, $f = 1\text{ kHz}$

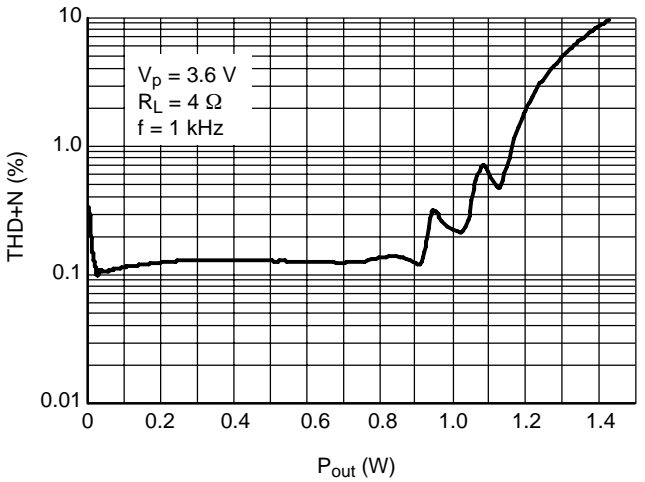


Figure 18. THD+N vs. Pout
 $V_p = 3.6\text{ V}$, $R_L = 4\ \Omega$, $f = 1\text{ kHz}$

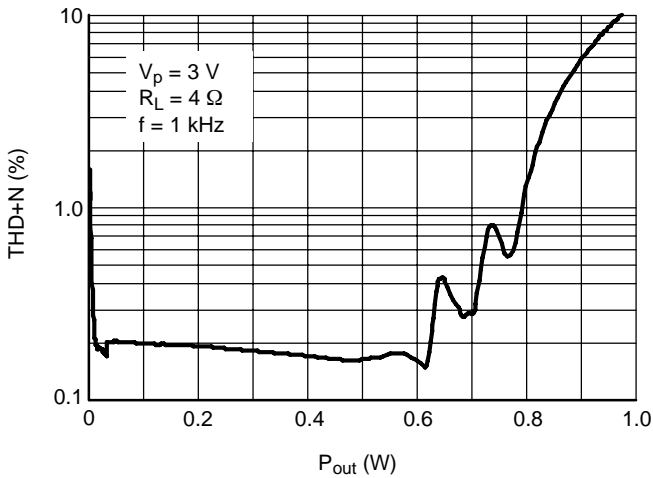


Figure 19. THD+N vs. Power Out
 $V_p = 3\text{ V}$, $R_L = 4\ \Omega$, $f = 1\text{ kHz}$

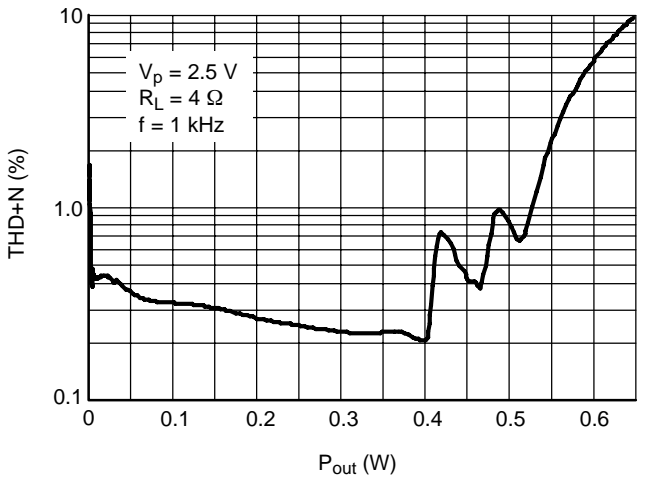


Figure 20. THD+N vs. Power Out
 $V_p = 2.5\text{ V}$, $R_L = 4\ \Omega$, $f = 1\text{ kHz}$

TYPICAL CHARACTERISTICS

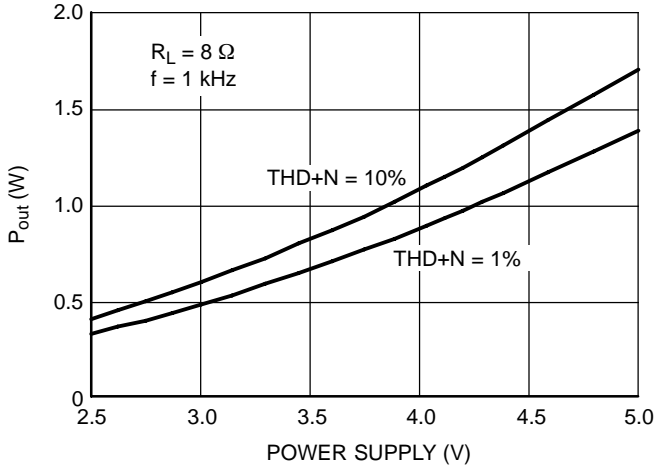


Figure 21. Output Power vs. Power Supply
 $R_L = 8 \Omega$ @ $f = 1 \text{ kHz}$

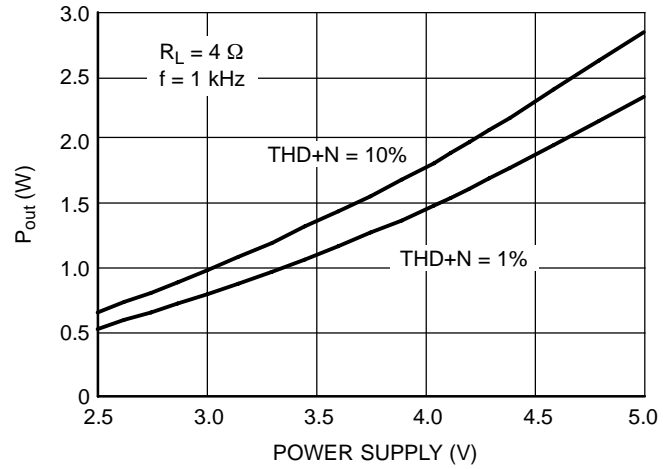


Figure 22. Output Power vs. Power Supply
 $R_L = 4 \Omega$ @ $f = 1 \text{ kHz}$

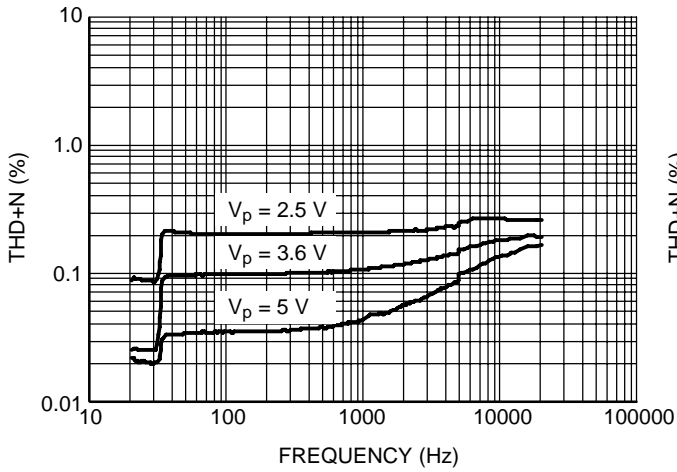


Figure 23. THD+N vs. Frequency
 $R_L = 8 \Omega$, $P_{out} = 250 \text{ mW}$ @ $f = 1 \text{ kHz}$

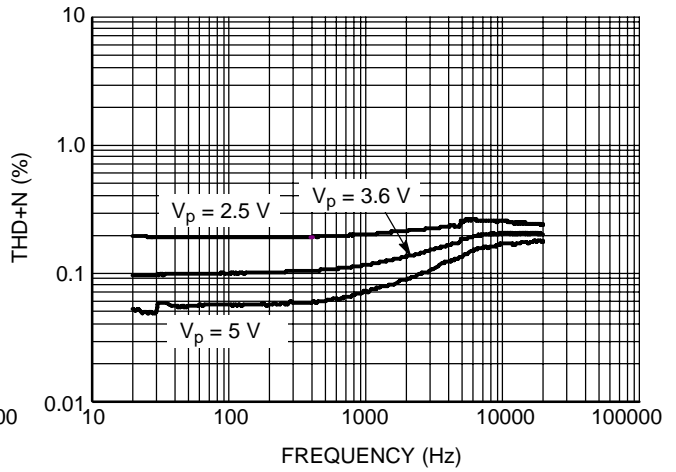


Figure 24. THD+N vs. Frequency
 $R_L = 4 \Omega$, $P_{out} = 250 \text{ mW}$ @ $f = 1 \text{ kHz}$

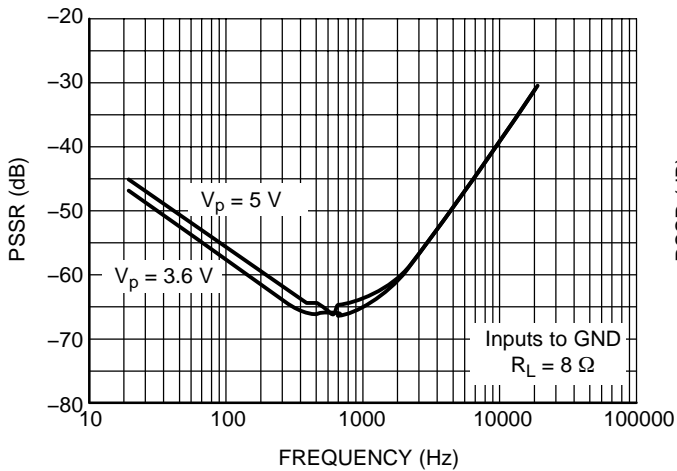


Figure 25. PSRR vs. Frequency
 Inputs Grounded, $R_L = 8 \Omega$, Vripple = 200 mVpkpk

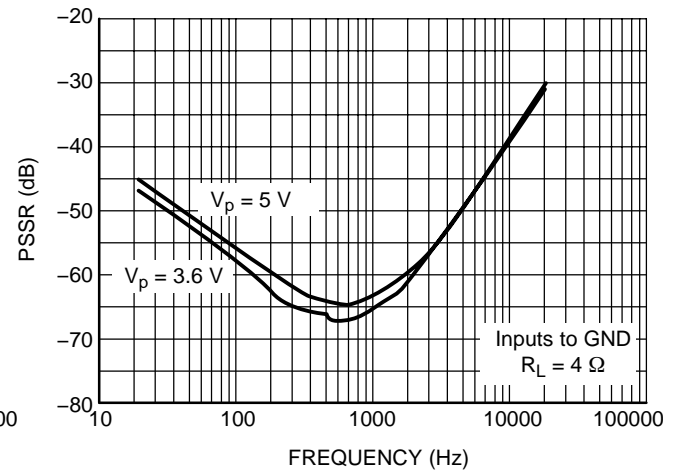


Figure 26. PSRR vs. Frequency
 Inputs grounded, $R_L = 4 \Omega$, Vripple = 200 mVpkpk

TYPICAL CHARACTERISTICS

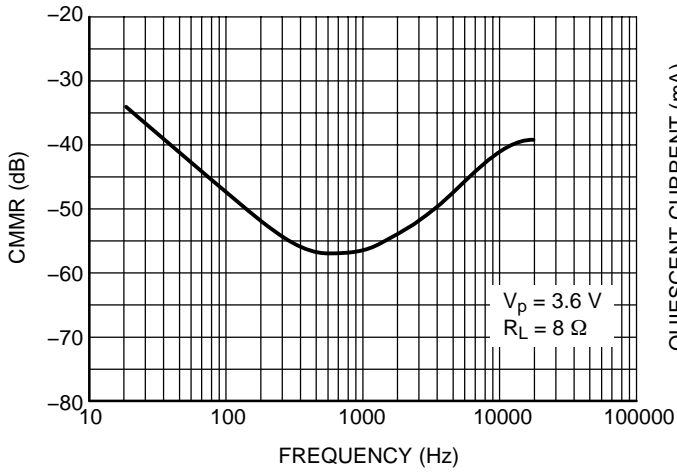


Figure 27. PSRR vs. Frequency
 $V_p = 3.6\text{ V}$, $R_L = 8\ \Omega$, $V_{ic} = 200\text{ mVpkpk}$

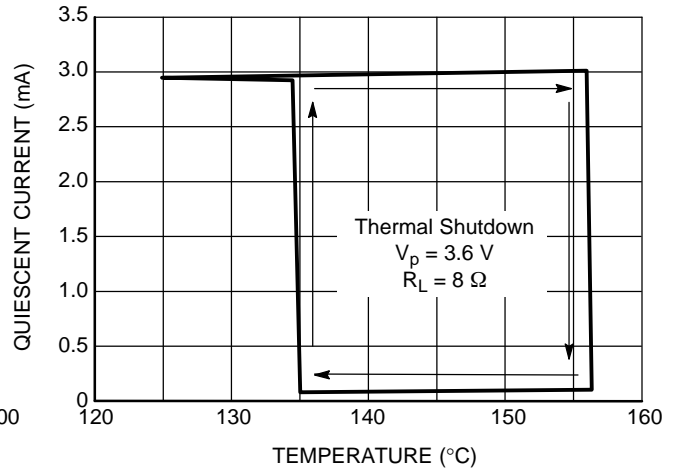


Figure 28. Thermal Shutdown vs. Temperature
 $V_p = 5\text{ V}$, $R_L = 8\ \Omega$,

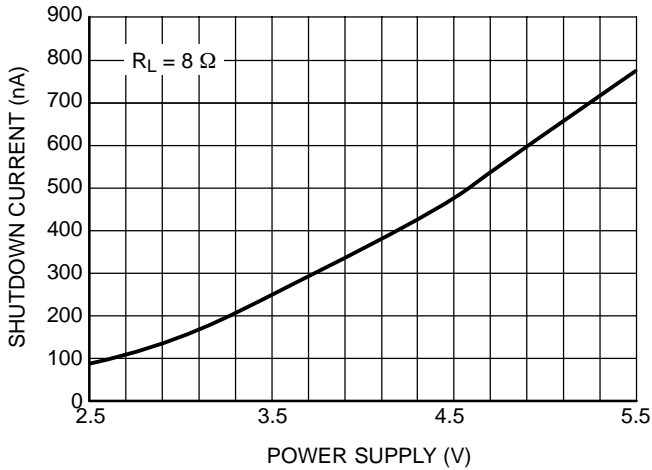


Figure 29. Shutdown Current vs. Power Supply
 $R_L = 8\ \Omega$

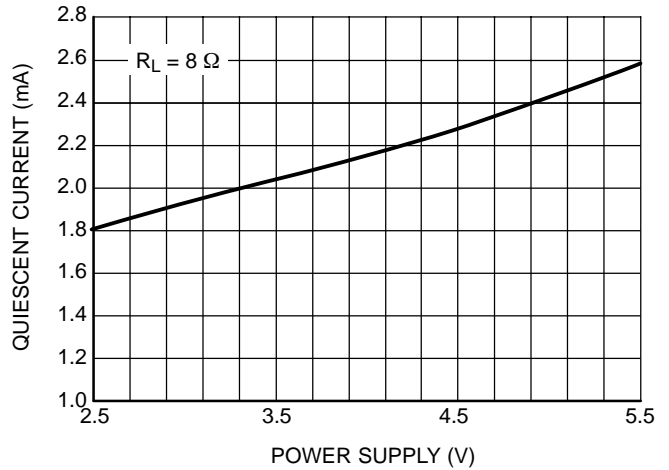


Figure 30. Quiescent Current vs. Power Supply
 $R_L = 8\ \Omega$

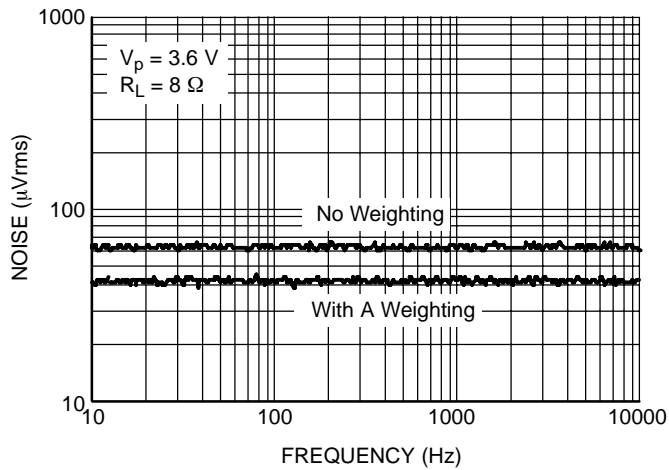


Figure 31. Noise Floor, Inputs AC Grounded
 with $1\ \mu\text{F}$ $V_p = 3.6\text{ V}$

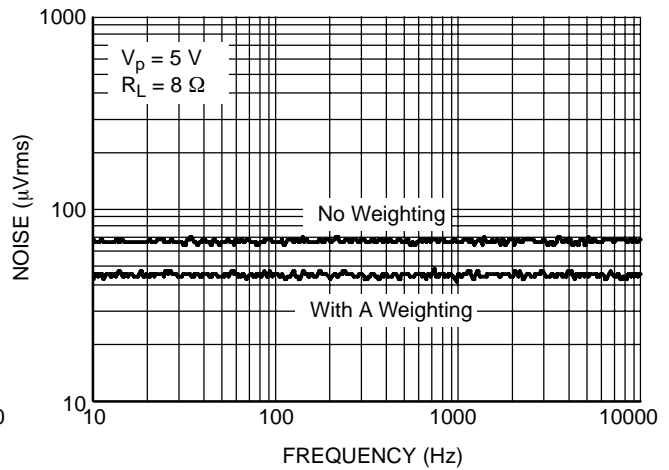


Figure 32. Noise Floor, Inputs AC Grounded
 with $1\ \mu\text{F}$ $V_p = 5\text{ V}$

NCP2821

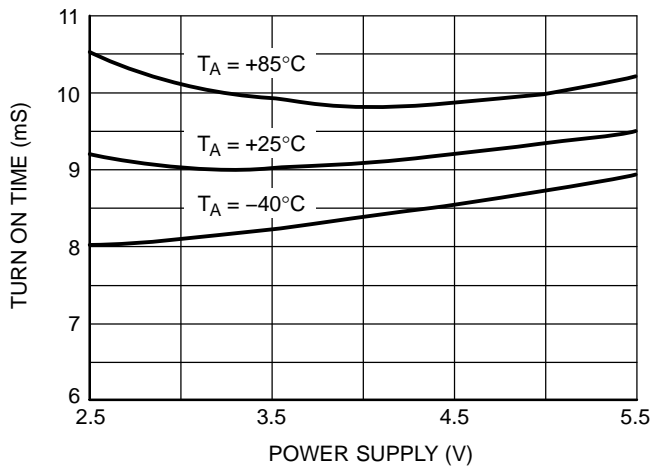


Figure 33. Turn on Time

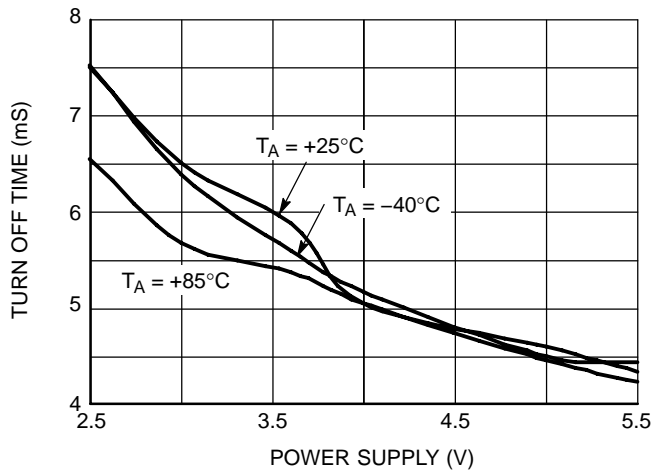


Figure 34. Turn off Time

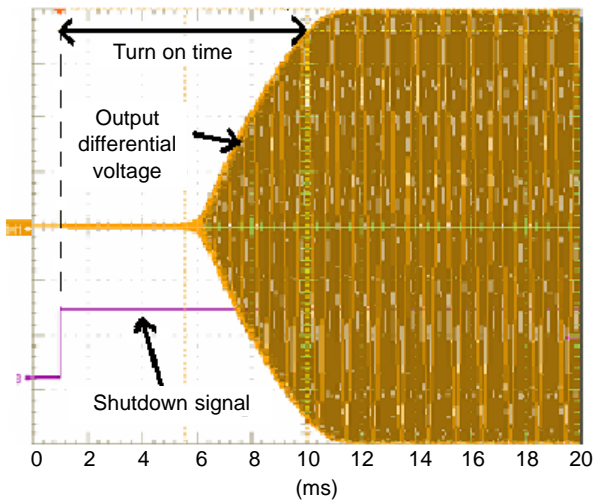


Figure 35. Turn on sequence
 $V_p = 3.6\text{ V}$, $R_L = 8\ \Omega$

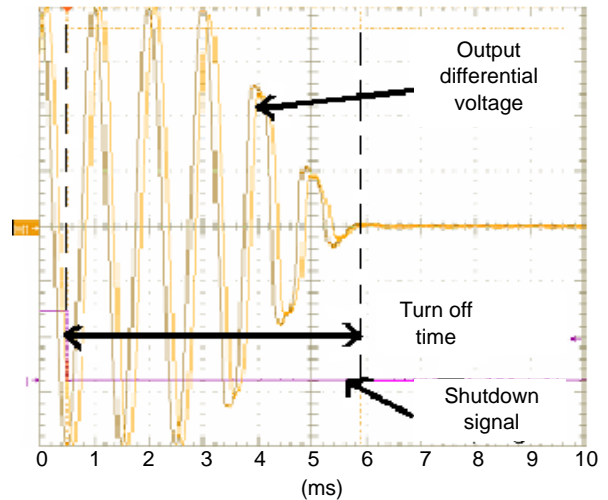


Figure 36. Turn off sequence
 $V_p = 3.6\text{ V}$, $R_L = 8\ \Omega$

DESCRIPTION INFORMATION

Detailed Description

The basic structure of the NCP2821 is composed of one analog pre-amplifier, a pulse width modulator and an H-bridge CMOS power stage. The first stage is externally configurable with gain-setting resistor R_i and the internal fixed feedback resistor R_f (the closed-loop gain is fixed by the ratios of these resistors) and the other stage is fixed. The load is driven differentially through two output stages.

The differential PWM output signal is a digital image of the analog audio input signal. The human ear is a band pass filter regarding acoustic waveforms, the typical values of which are 20 Hz and 20 kHz. Thus, the user will hear only the amplified audio input signal within the frequency range. The switching frequency and its harmonics are fully filtered. The inductive parasitic element of the loudspeaker helps to guarantee a superior distortion value.

Power Amplifier

The output PMOS and NMOS transistors of the amplifier have been designed to deliver the output power of the specifications without clipping. The channel resistance (R_{on}) of the NMOS and PMOS transistors is typically 0.3 Ω .

Turn On and Turn Off Transitions

In order to eliminate “pop and click” noises during transition, the output power in the load must not be established or cutoff suddenly. When a logic high is applied to the shutdown pin, the internal biasing voltage rises quickly and, 4 ms later, once the output DC level is around the common mode voltage, the gain is established slowly

(5.0 ms). This method to turn on the device is optimized in terms of rejection of “pop and click” noises. Thus, the total turn on time to get full power to the load is 9 ms (typical) (see Figure 35).

The device has the same behavior when it is turned-off by a logic low on the shutdown pin. No power is delivered to the load 5 ms after a falling edge on the shutdown pin (see Figure 36). Due to the fast turn on and off times, the shutdown signal can be used as a mute signal as well.

Shutdown Function

The device enters shutdown mode when the shutdown signal is low. During the shutdown mode, the DC quiescent current of the circuit does not exceed 1.5 μ A.

Current Breaker Circuit

The maximum output power of the circuit corresponds to an average current in the load of 820 mA.

In order to limit the excessive power dissipation in the load if a short-circuit occurs, a current breaker cell shuts down the output stage. The current in the four output MOS transistors are real-time controlled, and if one current exceeds the threshold set to 1.5 A, the MOS transistor is opened and the current is reduced to zero. As soon as the short-circuit is removed, the circuit is able to deliver the expected output power.

This patented structure protects the NCP2821. Since it completely turns off the load, it minimizes the risk of the chip overheating which could occur if a soft current limiting circuit was used.

APPLICATION INFORMATION

NCP2821 PWM Modulation Scheme

The NCP2821 uses a PWM modulation scheme with each output switching from 0 to the supply voltage. If $V_{in} = 0$ V outputs OUTM and OUTP are in phase and no current is flowing through the differential load. When a positive signal

is applied, OUTP duty cycle is greater than 50% and OUTM is less than 50%. With this configuration, the current through the load is 0 A most of the switching period and thus power losses in the load are lowered.

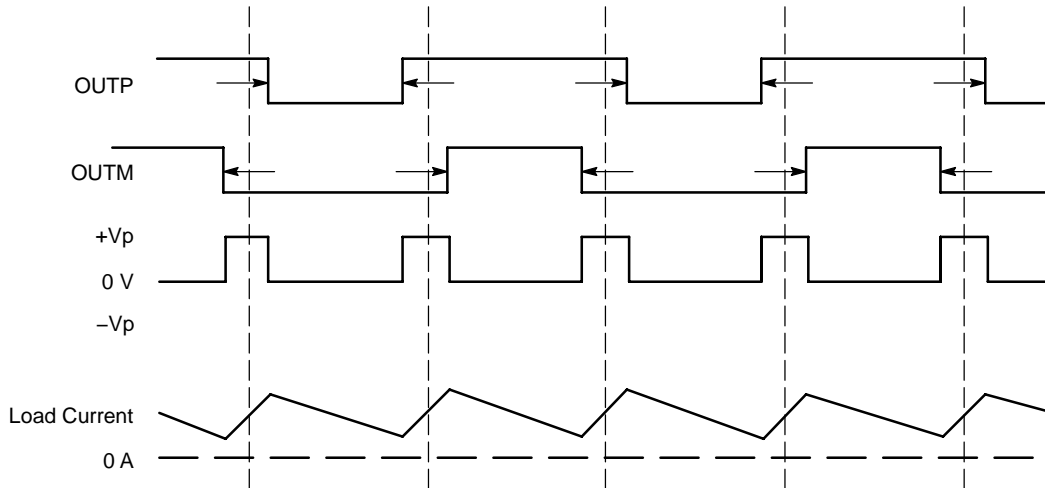


Figure 37. Output Voltage and Current Waveforms into an Inductive Loudspeaker DC Output Positive Voltage Configuration

Voltage Gain

The first stage is an analog amplifier. The second stage is a comparator: the output of the first stage is compared with a periodic ramp signal. The output comparator gives a pulse width modulation signal (PWM). The third and last stage is the direct conversion of the PWM signal with MOS transistors H-bridge into a powerful output signal with low impedance capability.

With an 8Ω load, the total gain of the device is typically set to:

- 12 dB if a low level is applied to the GS pin
- 6 dB if a high level is applied to the GS pin

Input Capacitor Selection (C_{in})

The input coupling capacitor blocks the DC voltage at the amplifier input terminal. This capacitor creates a high-pass filter with R_{in} , the cut-off frequency is given by

$$F_c = \frac{1}{2 \times \pi \times R_i \times C_i}$$

When a 6 dB gain is chosen the internal impedance is set to $150 \text{ k}\Omega$. With a 12 dB gain, the internal resistance is $75 \text{ k}\Omega$ and thus an input capacitor value between 10 nF and $1 \mu\text{F}$ will give a cutoff frequency between 1 Hz and 212 Hz . The NCP2821 also includes a built in low pass filtering function. Its cutoff frequency is set to 20 kHz .

Optional Output Filter

This filter is optional due to the capability of the speaker to filter by itself the high frequency signal. Nevertheless, the high frequency is not audible and filtered by the human ear.

An optional filter can be used for filtering high frequency signal before the speaker. In this case, the circuit consists of two inductors ($15 \mu\text{H}$) and two capacitors ($2.2 \mu\text{F}$) (Figure 38). The size of the inductors is linked to the output power requested by the application. A simplified version of this filter requires a $1 \mu\text{F}$ capacitor in parallel with the load, instead of two $2.2 \mu\text{F}$ connected to ground (Figure 39).

Cellular phones and portable electronic devices are great applications for Filterless Class-D as the track length between the amplifier and the speaker is short, thus, there is usually no need for an EMI filter. However, to lower radiated emissions as much as possible when used in filterless mode, a ferrite filter can often be used. Select a ferrite bead with the high impedance around 100 MHz and a very low DCR value in the audio frequency range is the best choice. The MPZ1608S221A1 from TDK is a good choice. The package size is 0603.

NCP2821

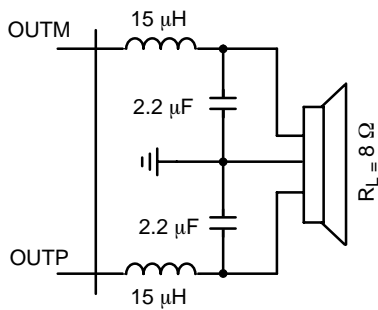


Figure 38. Advanced Optional Audio Output Filter

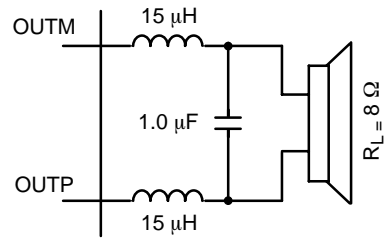


Figure 39. Optional Audio Output Filter

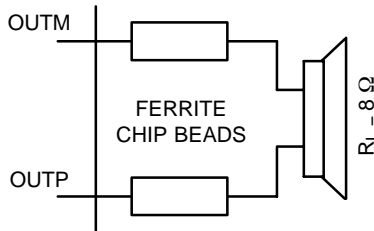


Figure 40. Optional EMI Ferrite Bead Filter

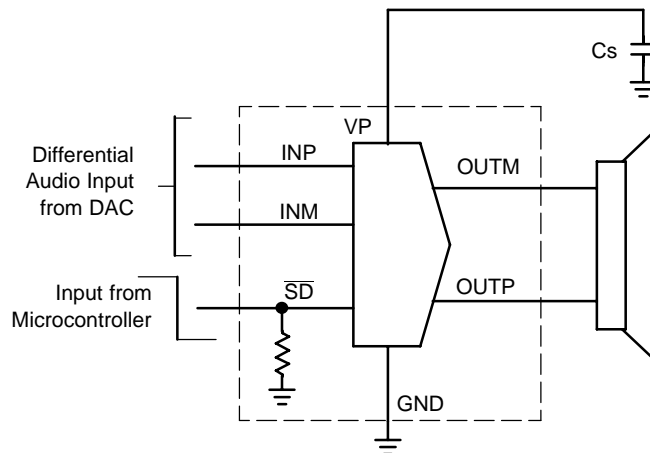


Figure 41. NCP2821 Application Schematic with Fully Differential Input Configuration

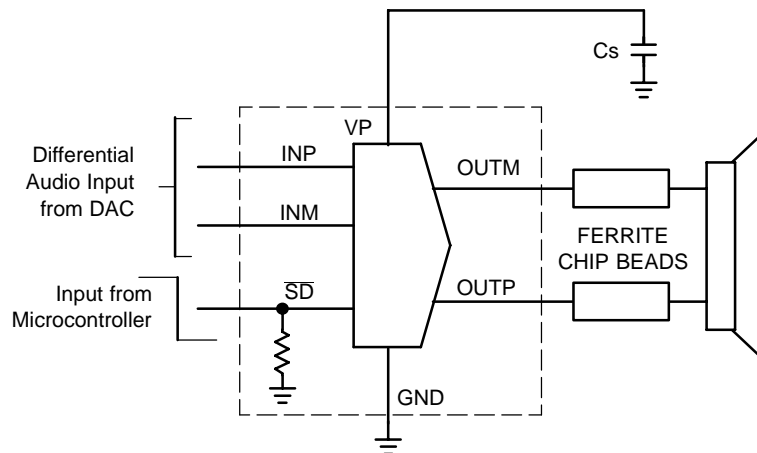


Figure 42. NCP2821 Application Schematic with Fully Differential Input Configuration and Ferrite Chip Beads as an Output EMI Filter

NCP2821

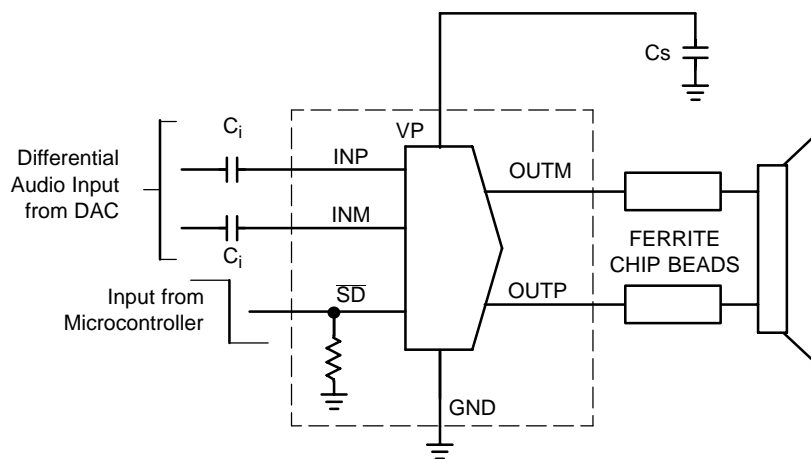


Figure 43. NCP2821 Application Schematic with Differential Input Configuration and High Pass Filtering Function

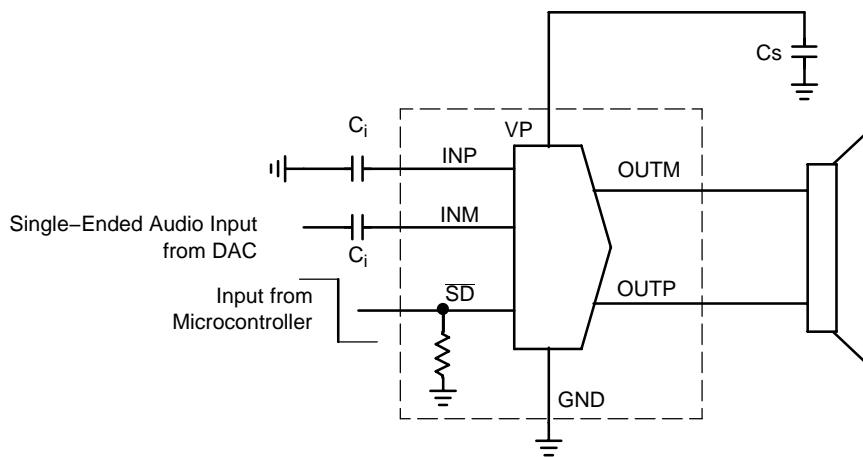


Figure 44. NCP2821 Application Schematic with Single Ended Input Configuration

NCP2821

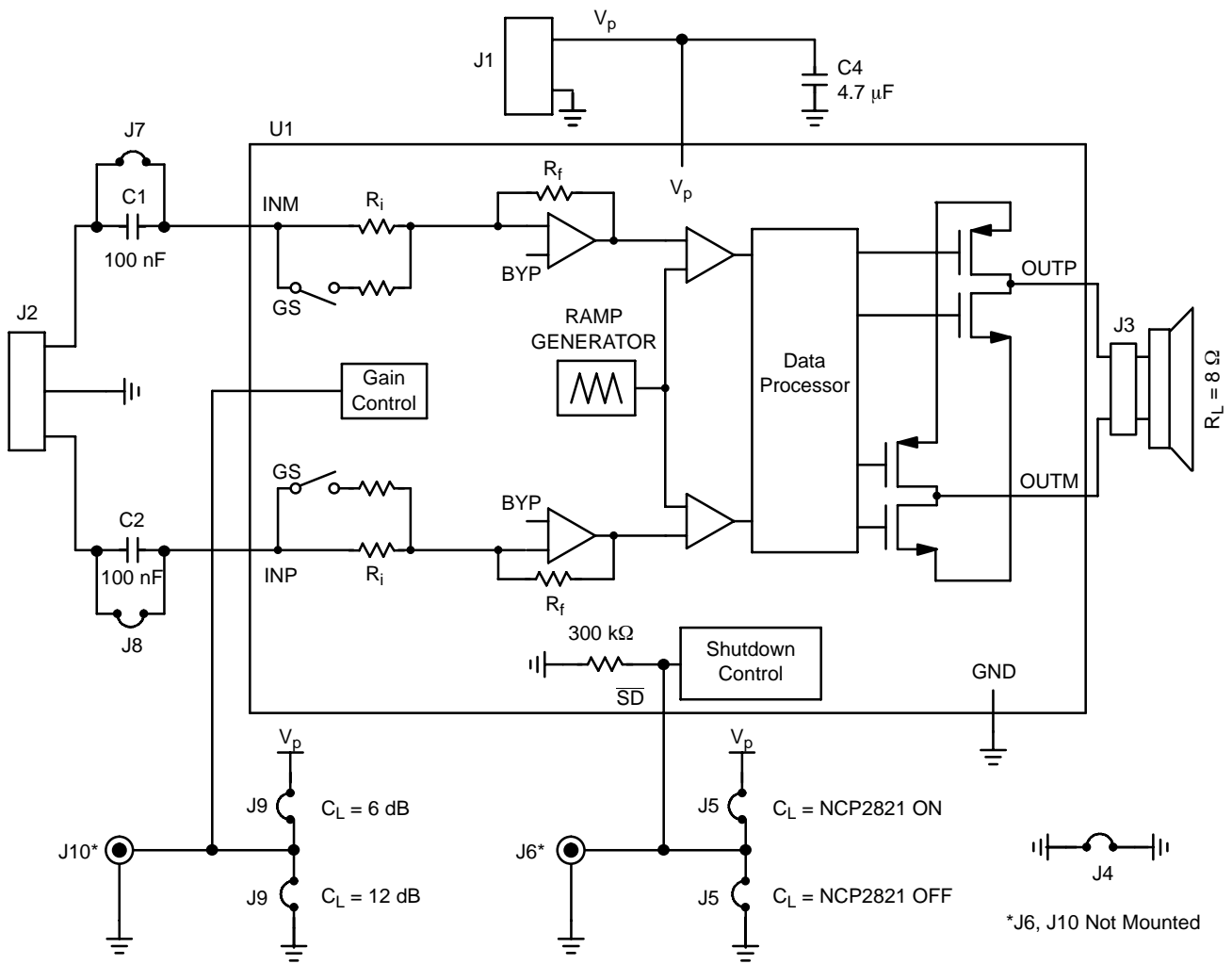


Figure 45. Schematic of the Demonstration Board of the 9-pin Flip-Chip CSP Device

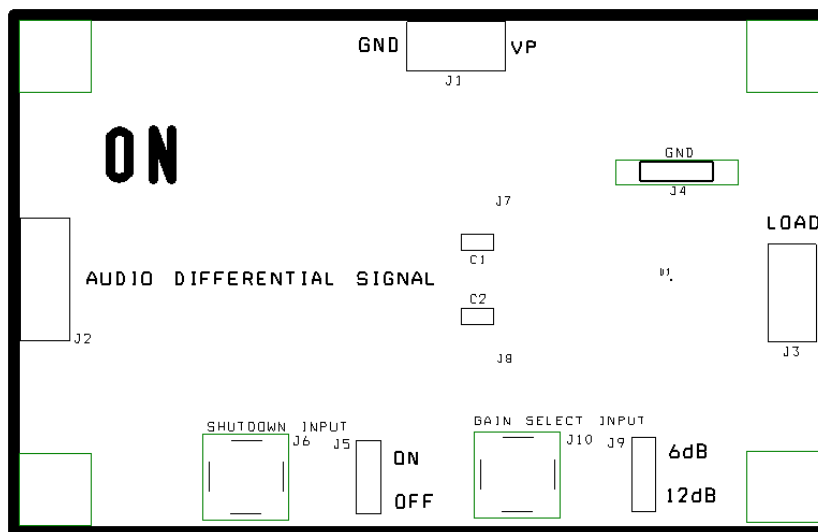


Figure 46. Silkscreen Layer

NCP2821

PCB Layout Information

NCP2821 is suitable for low cost solution. In a very small package it gives all the advantages of a Class-D audio amplifier. The required application board is focused on low cost solution too. Due to its fully differential capability, the audio signal can only be provided by an input resistor. If a low pass filtering function is required, then an input coupling capacitor is needed. The values of these components determine the voltage gain and the bandwidth frequency. The battery positive supply voltage requires a good decoupling capacitor versus the expected distortion.

When the board is using Ground and Power planes with at least 4 layers, a single 4.7 μF filtering ceramic capacitor on the bottom face will give optimized performance.

A 1.0 μF low ESR ceramic capacitor can also be used with slightly degraded performances on the THD+N from 0.06% up to 0.2%.

In a two layers application, if both V_p pins are connected on the top layer, a single 4.7 μF decoupling capacitor will optimize the THD+N level.

The NCP2821 power audio amplifier can operate from 2.5 V until 5.5 V power supply. With less than 2% THD+N, it delivers 500 mW rms output power to a 8.0 Ω load at $V_p = 3.0$ V and 1.0 W rms output power at $V_p = 4.0$ V.

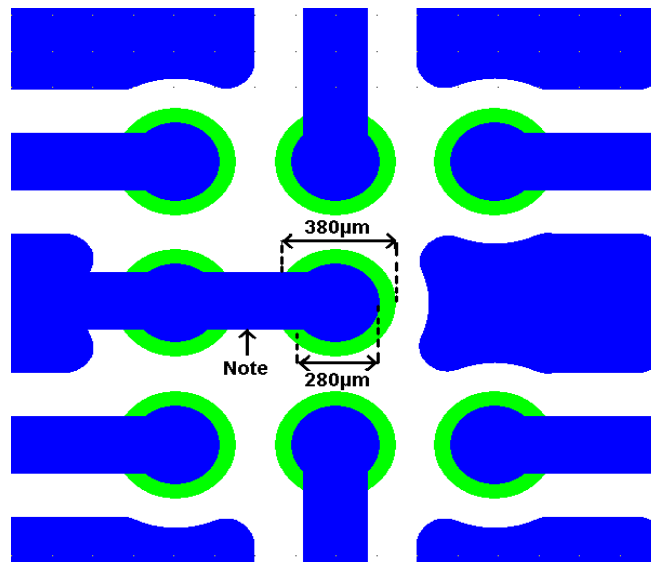


Figure 47. Top Layer

Note: This track between V_p pins is only needed when a 2 layers board is used. In case of a typical 4 or more layers, the use of laser vias in pad will optimize the THD+N floor. The demonstration board delivered by ON Semiconductor is a 4 Layers with Top, Ground, Power Supply and Bottom.

NCP2821

Bill of Materials

Item	Part Description	Ref	PCB Footprint	Manufacturer	Part Number
1	NCP2821 Audio Amplifier	U1			NCP2821
2	Ceramic Capacitor 100 nF, 50 V, X7R	C1, C2	0603	TDK	C1608X7R1H104KT
3	Ceramic Capacitor 4.7 μ F, 6.3 V, X5R	C4	0603	TDK	C1608X5R0J475MT
4	PCB Footprint	J7, J8			
5	I/O connector. It can be plugged by MC-1,5/3-ST-3,81	J2		Phoenix Contact	MC-1,5/3-G
6	I/O connector. It can be plugged by BLZ5.08/2 (Weidmuller Reference)	J1, J3		Weidmuller	SL5.08/2/90B
7	Jumper Connector, 400 mils	J4		Harwin	D3082-B01
8	Jumper Header Vertical Mount 3*1, 2.54 mm.	J5, J9		Tyco Electronics / AMP	5-826629-0

ORDERING INFORMATION

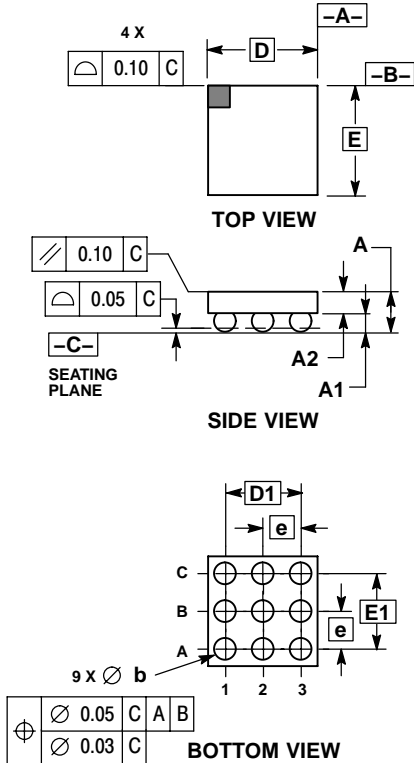
Device	Marking	Package	Shipping†
NCP2821FCT1G	MAU	9-Pin Flip-Chip CSP (Pb-Free)	3000 / Tape & Reel

†For information on tape and reel specifications, including part orientation and tape sizes, please refer to our Tape and Reel Packaging Specifications Brochure, BRD8011/D.

NCP2821

PACKAGE DIMENSIONS

9-PIN FLIP-CHIP CSP FC SUFFIX CASE 499AL-01 ISSUE O



NOTES:

1. DIMENSIONING AND TOLERANCING PER ANSI Y14.5M, 1982.
2. CONTROLLING DIMENSION: MILLIMETERS.
3. COPLANARITY APPLIES TO SPHERICAL CROWNS OF SOLDER BALLS.

MILLIMETERS		
DIM	MIN	MAX
A	0.540	0.660
A1	0.210	0.270
A2	0.330	0.390
D	1.450 BSC	
E	1.450 BSC	
b	0.290	0.340
e	0.500 BSC	
D1	1.000 BSC	
E1	1.000 BSC	

ON Semiconductor and are registered trademarks of Semiconductor Components Industries, LLC (SCILLC). SCILLC reserves the right to make changes without further notice to any products herein. SCILLC makes no warranty, representation or guarantee regarding the suitability of its products for any particular purpose, nor does SCILLC assume any liability arising out of the application or use of any product or circuit, and specifically disclaims any and all liability, including without limitation special, consequential or incidental damages. "Typical" parameters which may be provided in SCILLC data sheets and/or specifications can and do vary in different applications and actual performance may vary over time. All operating parameters, including "Typicals" must be validated for each customer application by customer's technical experts. SCILLC does not convey any license under its patent rights nor the rights of others. SCILLC products are not designed, intended, or authorized for use as components in systems intended for surgical implant into the body, or other applications intended to support or sustain life, or for any other application in which the failure of the SCILLC product could create a situation where personal injury or death may occur. Should Buyer purchase or use SCILLC products for any such unintended or unauthorized application, Buyer shall indemnify and hold SCILLC and its officers, employees, subsidiaries, affiliates, and distributors harmless against all claims, costs, damages, and expenses, and reasonable attorney fees arising out of, directly or indirectly, any claim of personal injury or death associated with such unintended or unauthorized use, even if such claim alleges that SCILLC was negligent regarding the design or manufacture of the part. SCILLC is an Equal Opportunity/Affirmative Action Employer. This literature is subject to all applicable copyright laws and is not for resale in any manner.

PUBLICATION ORDERING INFORMATION

LITERATURE FULFILLMENT:
Literature Distribution Center for ON Semiconductor
P.O. Box 61312, Phoenix, Arizona 85082-1312 USA
Phone: 480-829-7710 or 800-344-3860 Toll Free USA/Canada
Fax: 480-829-7709 or 800-344-3867 Toll Free USA/Canada
Email: orderlit@onsemi.com

N. American Technical Support: 800-282-9855 Toll Free
USA/Canada

Japan: ON Semiconductor, Japan Customer Focus Center
2-9-1 Kamimeguro, Meguro-ku, Tokyo, Japan 153-0051
Phone: 81-3-5773-3850

ON Semiconductor Website: <http://onsemi.com>

Order Literature: <http://www.onsemi.com/litorder>

For additional information, please contact your local Sales Representative.