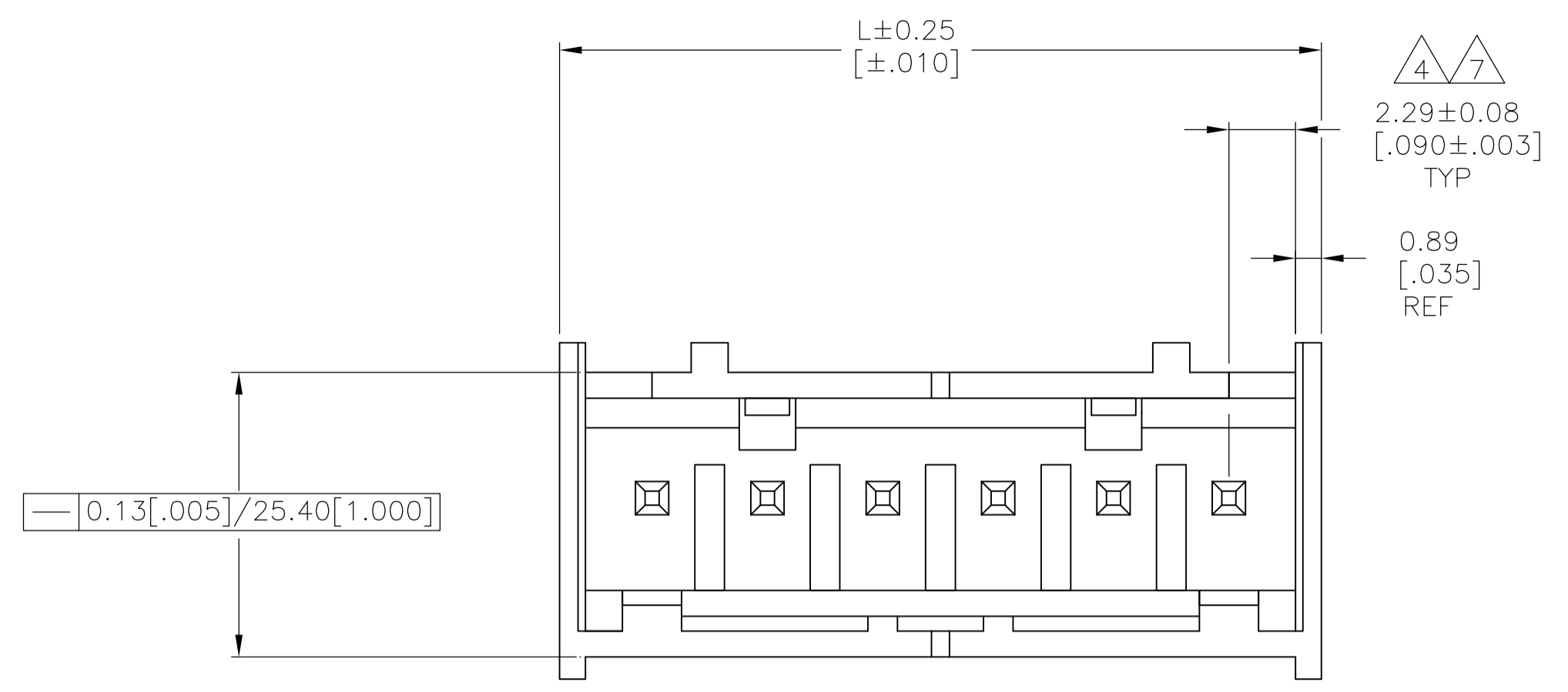


LOC	DIST	REVISIONS			
P	LTR	DESCRIPTION	DATE	DMN	APVO
E		REVISED PER ECO-11-014391	19OCT11	KH	SM



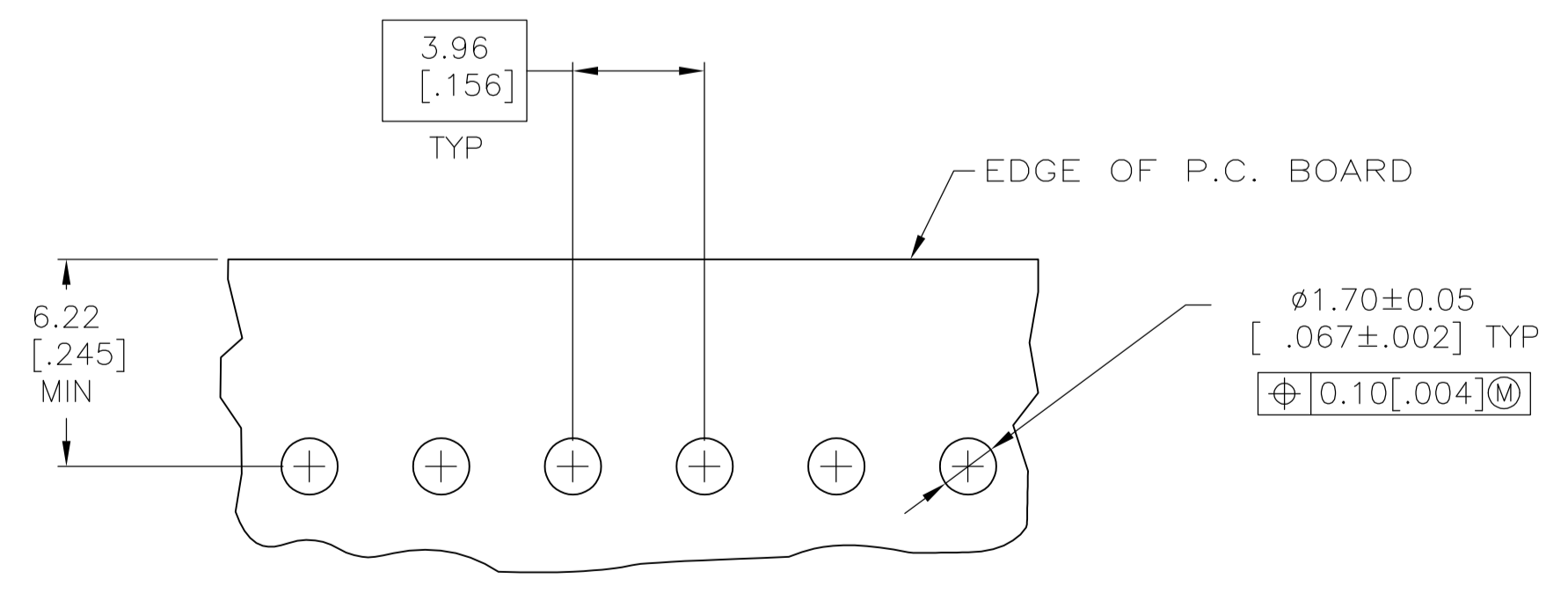
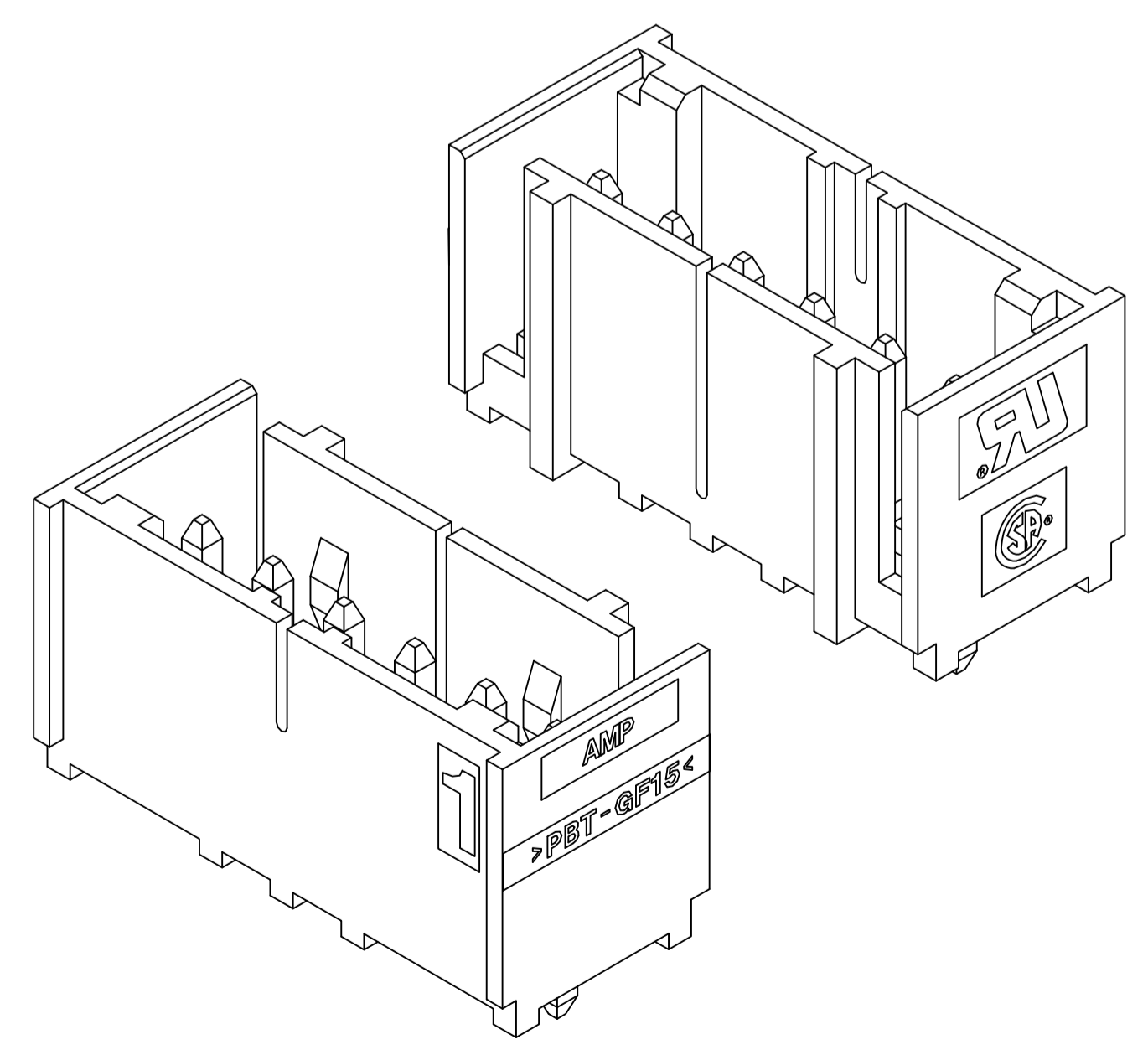
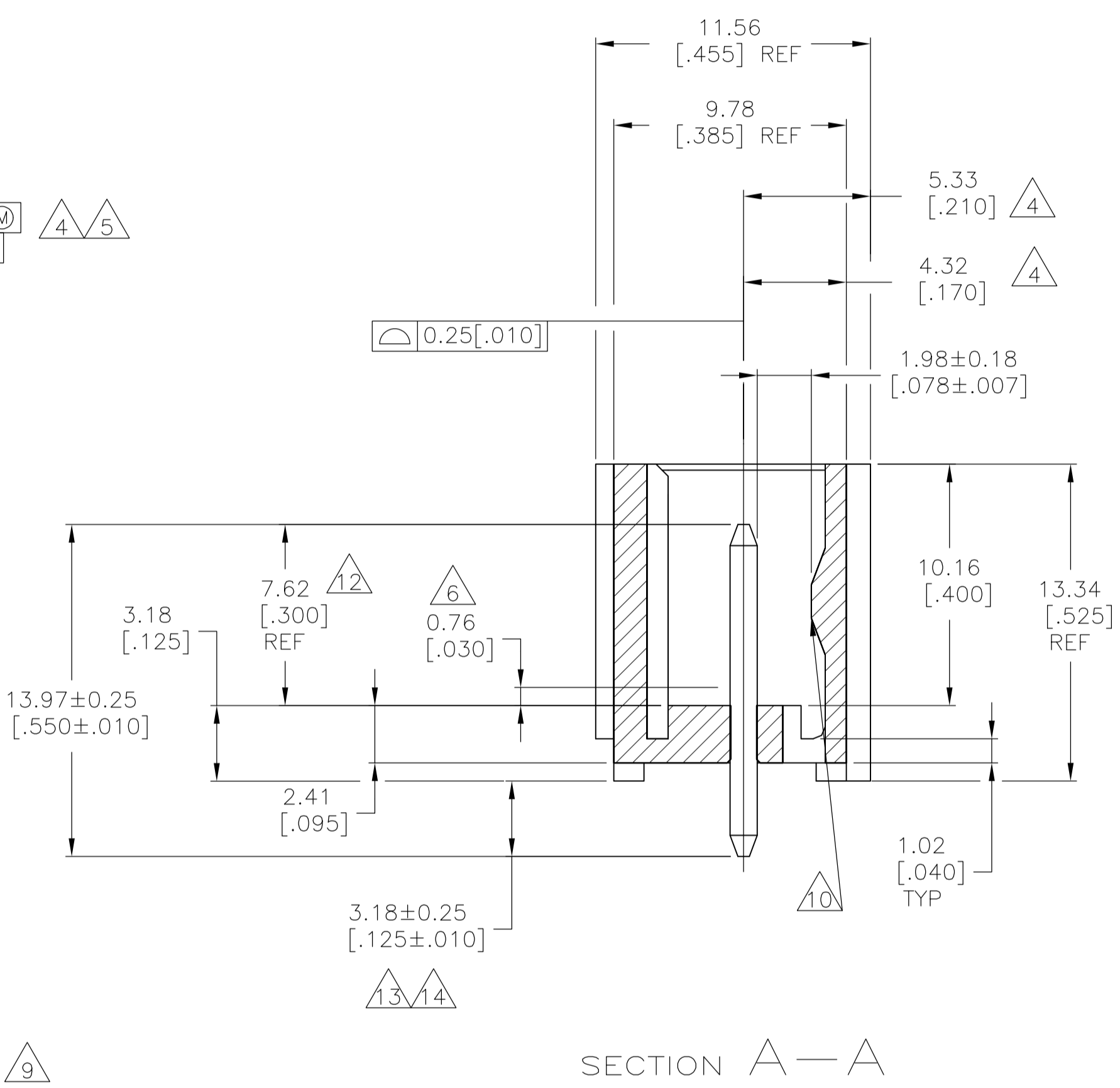
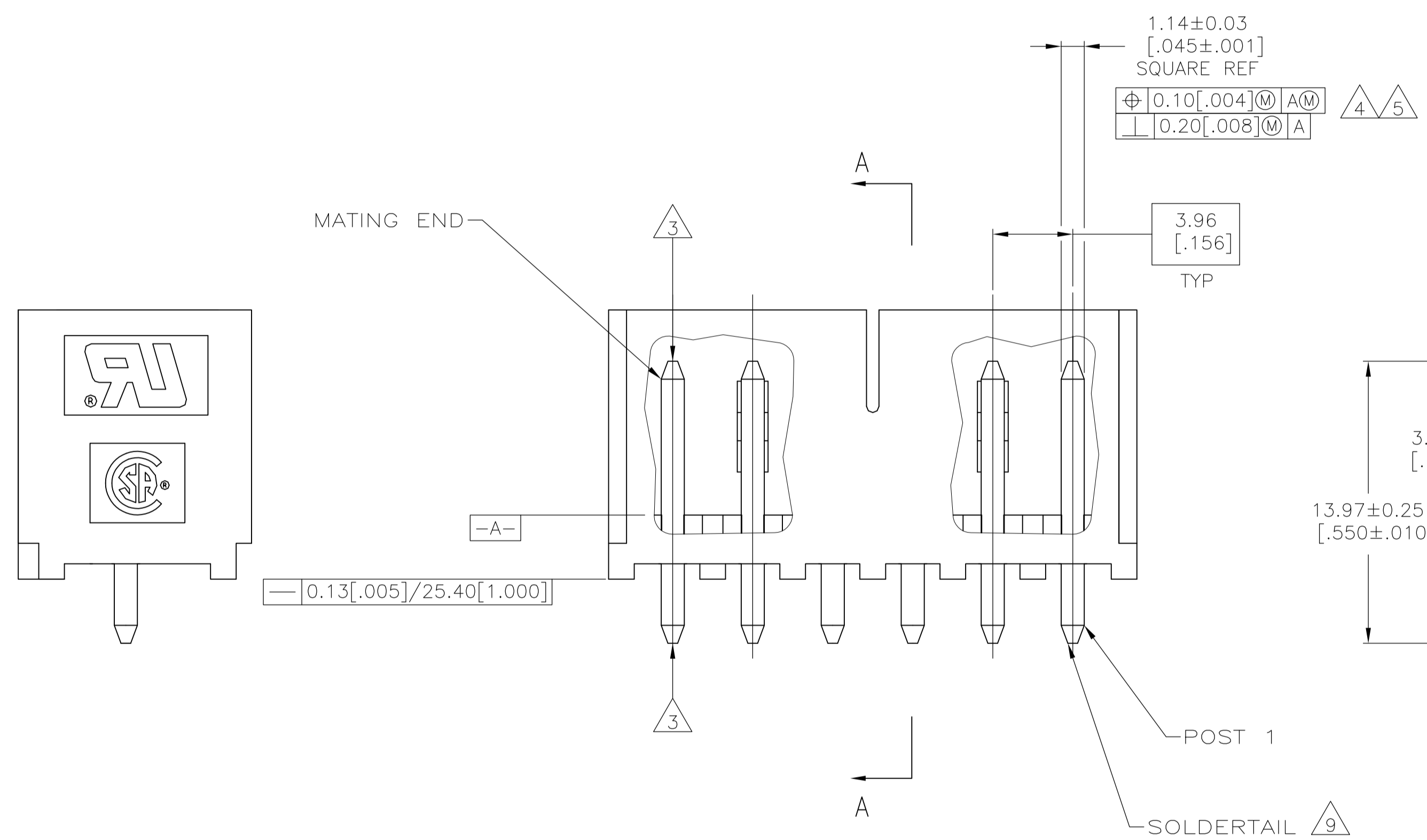
4 7  
 $2.29 \pm 0.08$   
 [.090 ± .003]  
 TYP  
 $0.89$   
 [.035]  
 REF

- 1 MATERIAL:  
HOUSING - THERMOPLASTIC POLYESTER, GLASS FILLED, UL94-0.  
POST - COPPER ALLOY
- 2 FINISH:  
HOUSING - BLACK  
POST - SEE NOTES 12, 13 AND 14 FOR PLATING.

- 3 POST TO WITHSTAND 3LBS (16N) MIN AXIAL FORCE IN THIS DIRECTION WITHOUT DISLODGING.
- 4 APPLIES AT -A-
- 5 APPLIES WHEN HEADER IS STRAIGHT.
- 6 PLASTIC PROJECTIONS PERMITTED IN THIS ZONE.
- 7 COORDINATE DIMENSIONS APPLIES FROM CENTER OF ACTUAL FEATURE.
- 8 SOLDER SIDE OF BOARD IS SHOWN.
- 9 POST SOLDER TAIL MUST COMPLY WITH AMP SOLDERABILITY SPEC 109-11-2.

- 10 LATCH DETENT FEATURE APPEARS 1 PLACE ON EACH END OF PART (MAX OF 2 PER PART) ON ALL POSITIONS 4 THRU 12. THE LATCH APPEARS ONLY ONE PLACE ON 2 & 3 POSITION PARTS.

- 11. DIMENSIONS IN BRACKETS ARE IN INCHES.
- 12 PLATING: GOLD PLATE AREA, 0.00038 [.000015] GOLD OR 0.00008 [.000003] MIN GOLD FLASH OVER 0.00030 [.000012] PALLADIUM NICKEL, PER TE CONNECTIVITY'S DISCRETION, ALL SIDES, OVER NICKEL UNDERPLATE, 0.00127 [.000050] MIN, ALL SIDES AND ENTIRE LENGTH OF POST.
- 13 BRIGHT TIN LEAD (93/7) PLATE AREA 0.00381 - 0.0089 [.000150 - .000350] ALL FOUR SIDES, 3.18 [.125] MIN.
- 14 MATTE TIN PLATE AREA 0.00381 - 0.0089 [.000150 - .000350] ALL FOUR SIDES, 3.18 [.125] MIN.
- 15 OBSOLETE PARTS: OBSOLETE CIS STREAMLINING PER D.RENAUD/D.SINISI



RECOMMENDED MOUNTING HOLE PATTERN FOR 1.57[.062] THICK P.C. BOARD

PLATING	MM	IN	NO OF POSN	PART NUMBER
647139-6 SHOWN	49.94	1.966	12	3-647139-2
	45.97	1.810	11	3-647139-1
	42.01	1.654	10	3-647139-0
	38.05	1.498	9	2-647139-9
	34.09	1.342	8	2-647139-8
	30.12	1.186	7	2-647139-7
	26.16	1.030	6	2-647139-6
	22.20	.874	5	2-647139-5
	18.24	.718	4	2-647139-4
	14.27	.562	3	2-647139-3
	10.31	.406	2	2-647139-2
	49.94	1.966	12	1-647139-2
	45.97	1.810	11	1-647139-1
	42.01	1.654	10	1-647139-0
	38.05	1.498	9	1-647139-9
34.09	1.342	8	1-647139-8	
30.12	1.186	7	1-647139-7	
26.16	1.030	6	1-647139-6	
22.20	.874	5	1-647139-5	
18.24	.718	4	1-647139-4	
14.27	.562	3	1-647139-3	
10.31	.406	2	1-647139-2	

DIMENSIONS:		TOLERANCES UNLESS OTHERWISE SPECIFIED:		APPROVED		DRAWING NO		RESTRICTED TO	
mm	[INCHES]	0 PLC	±	APVO	DATE	SIZE	CAGE CODE	SCALE	SHEET
		1 PLC	±	D. CLARK	17JUN98	A1	00779	5:1	1 of 1
		2 PLC	±						
		3 PLC	±						
		4 PLC	±						
		ANGLES	±						
			±						

