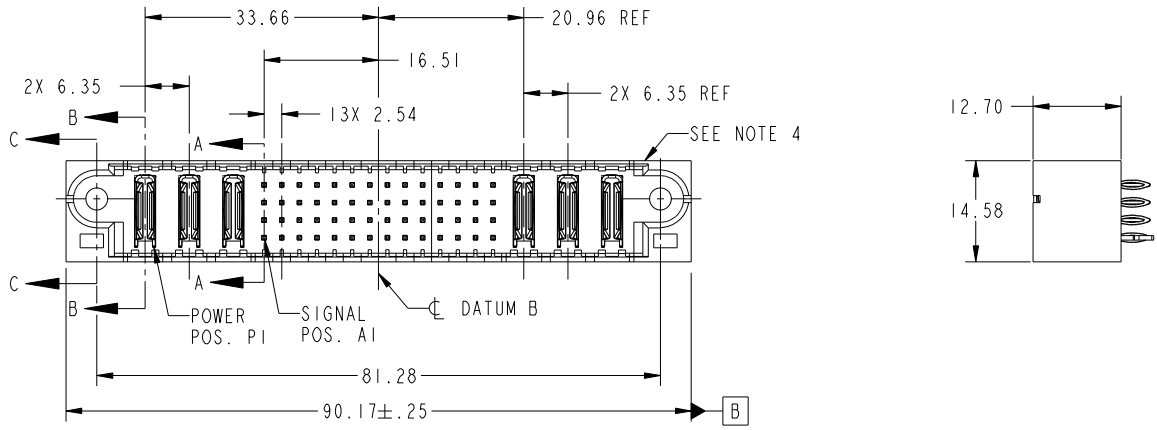


Tous droits strictement reserves. Reproduction ou communication a des tiers interdite sous quelque forme que ce soit sans autorisation écrite du propriétaire. Propriete de c FCI. Droits de reproduction FCI.



All rights strictly reserved. Reproduction or issue to third parties in any form whatever is not permitted without written authority from the proprietor. Property of FCI. Copyright FCI.

PRODUCT NO.	ROWS	POWER			SIGNAL										POWER			E2							
		E1	P1	P2	P3	1	2	3	4	5	6	7	8	9	10	11	12		13	14	P4	P5	P6		
51710-025-- NOTE ③	D C B A		PC	PC	PC	G	G	G	G	G	G	G	G	G	G	G	G	G	G	G	G	PC	PC	PC	



CODE	DIM "M" MATING LENGTH	CONTACT TYPE
PC	[N/A]	POWER
K	[5.59]	SIGNAL
G	[6.86]	SIGNAL
HA	[N/A]	HOLD-DOWN

mat'l code				tolerances unless otherwise specified		CUSTOMER	
ltr	ecn no.	dr	date	linear	0.X ±0.5	COPY	
A	DG06-0251	JMG	06/23/06	angles	0.XX ±0.25	projection	
B	DG07-0357	JULIA	09/10/07		0.XXX ±0.10	title	
C	DG08-0273	JW	12/05/08		0° ±2°	product family	
				dr	JM GUO 06/23/06	PwrBlade	
				enr	SLUO 06/23/06	code	
				chr	BEER FU 06/23/06	213	
				appd	JOSEPH HSIA 06/23/06	sheet	
sheet index		revision sheet	C 1	C 2	C 3	C 4	1 of 4

www.fciconnect.com		FCI	
title		3P + 56S + 3P	
vertical PRESS-FIT HEADER		product family	
size	dwg no	code	
A	51710-025	213	
scale		sheet	
1:1		1 of 4	

cage code 22526

Pro/E

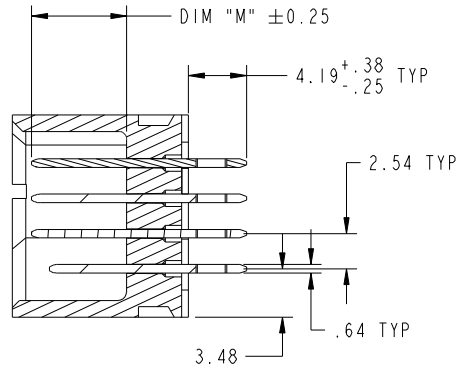
Tous droits strictement reserves. Reproduction ou communication a des tiers interdite sous quelque forme que ce soit sans autorisation écrite du propriétaire. Propriete de c FCI. Droits de reproduction FCI.

All rights strictly reserved. Reproduction or issue to third parties in any form whatever is not permitted without written authority from the proprietor. Property of FCI. Copyright FCI.

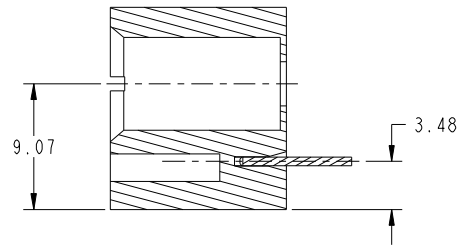
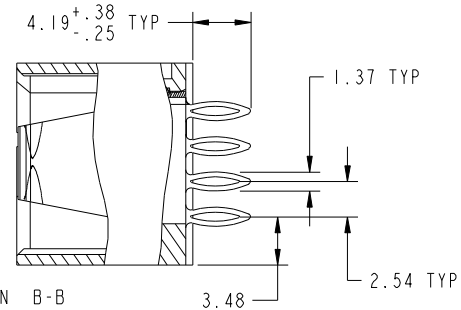


PRODUCT NUMBER
51710-025--
NOTE 3

SECTION A-A
SCALE 2:1



SECTION B-B
SCALE 2:1



SECTION C-C
SCALE 2:1

mat'l code				tolerances unless otherwise specified		CUSTOMER		FCI	
ltr	ecn no.	dr	date	linear	0.X ±0.5	COPY		www.fciconnect.com	
c					0.XX ±0.25	projection		title	
				angles	0.XXX ±0.10			3P + 56S + 3P VERTICAL PRESS-FIT HEADER	
				dr	JM GUO 06/23/06	MIM		product family PwrBlade code	
				enr	SLUO 06/23/06			size dwg no 213	
				chr	BEER FU 06/23/06	scale		sheet	
				appd	JOSEPH HSIA 06/23/06	1:1		51710-025 2 of 4	
sheet index		revision sheet							

cage code 22526

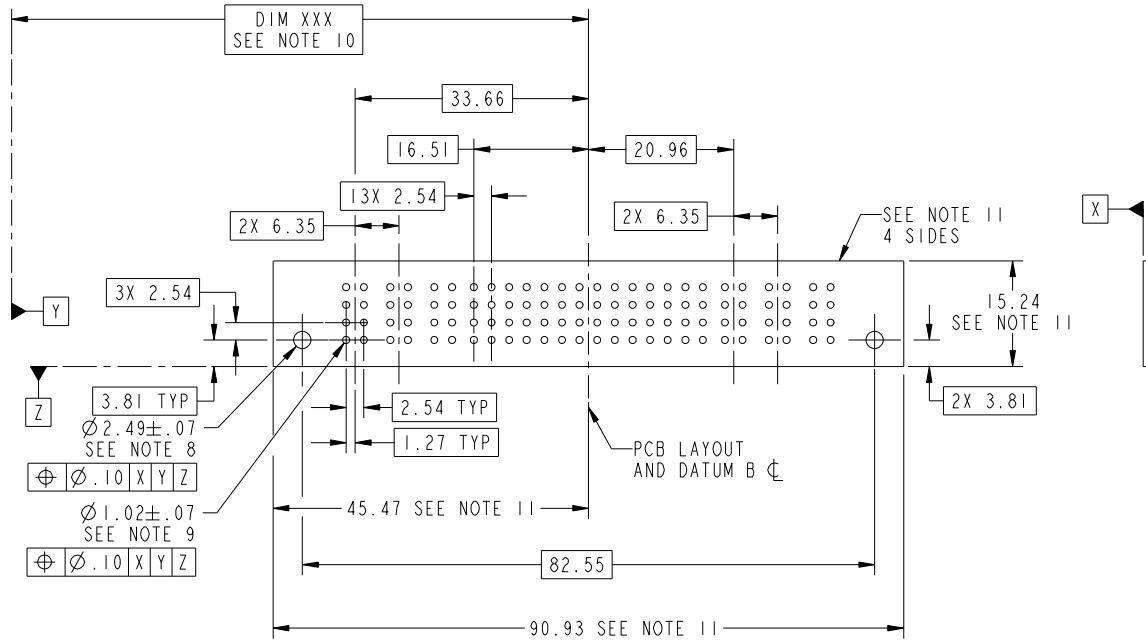
Pro/E

Tous droits strictement reserves. Reproduction ou communication a des tiers interdite sous quelque forme que ce soit sans autorisation écrite du propriétaire. Propriete de c FCI. Droits de reproduction FCI.

All rights strictly reserved. Reproduction or issue to third parties in any form whatever is not permitted without written authority from the proprietor. Property of FCI. Copyright FCI.



PRODUCT NUMBER
51710-025--
NOTE 3



mat'l code				tolerances unless otherwise specified		CUSTOMER		FCI	
ltr	ecn no.	dr	date	linear	0.X ± 0.5	COPY		www.fciconnect.com	
C					0.XX ± 0.25	projection		title 3P + 56S + 3P VERTICAL PRESS-FIT HEADER	
				angles	0.XXX ± 0.10			product family PwrBlade code 213	
				dr	JM GUO 06/23/06	MIM		size dwg no 51710-025 sheet 3 of 4	
				enr	SLUO 06/23/06	scale 1:1		cage code 22526	
				chr	BEER FU 06/23/06				
				appd	JOSEPH HSIA 06/23/06				
sheet index		revision sheet							

Pro/E

cage code 22526

Tous droits strictement reserves. Reproduction ou communication a des tiers interdite sous quelque forme que ce soit sans autorisation écrite du propriétaire. Propriete de c FCI. Droits de reproduction FCI.



All rights strictly reserved. Reproduction or issue to third parties in any form whatever is not permitted without written authority from the proprietor. Property of FCI. Copyright FCI.

PRODUCT NUMBER
51710-025--
NOTE 3

NOTES:

1. DIMENSIONS AND TOLERANCES ARE IN ACCORDANCE WITH ASME Y14.5M, 1994 UNLESS OTHERWISE SPECIFIED.

CONNECTOR NOTES:

- 2 HOUSING MATERIAL: UL 94 V-0 GLASS FILLED
HIGH-TEMP THERMOPLASTIC
POWER CONTACT MATERIAL: COPPER ALLOY
SIGNAL PIN MATERIAL: COPPER ALLOY
 - 3. PLATING:
SEE ITEM 3 & 4 IN PRINT 10064183 FOR PLATING SPEC OF 51710-025; 51710-025LF PRESPECTIVELY
 - 4 MANUFACTURER'S NAME, P/N, AND DATE CODE TO APPEAR ON THIS SURFACE.
 - 5. PRODUCT SPECIFICATION GS-12-149.
APPLICATION SPECIFICATION BUS-20-067.
 - 6. PACKAGED IN TRAYS.
- PCB NOTES:
- 7. ALL HOLE DIAMETERS ARE FINISHED HOLE SIZE.
 - 8. MOUNTING HOLES, WHERE APPLICABLE, ARE UNPLATED.
 - 9 $\varnothing 1.151 \pm 0.025$ DRILLED HOLES PLATED WITH
0.008 MIN SnPb OR Sn OVER 0.03
TO 0.08 Cu PLATING TO ACHIEVE
 $\varnothing 1.02 \pm 0.07$ HOLE.
 - 10 "DIM XXX" TO BE DETERMINED BY THE CUSTOMER.
 - 11 CONNECTOR KEEP-OUT ZONE.
12. FOR PRESS FIT APPLICATION USE FCI CAM TOOL 430169-XXX.
13. A \triangle SYMBOL WILL BE NEXT TO ANY DIMENSION, VIEW, OR NOTE WHICH HAS BEEN MODIFIED WITH THE CURRENT DRAWING REVISION.

mat'l code				tolerances unless otherwise specified		CUSTOMER		FCI		www.fciconnect.com	
ltr	ecn no.	dr	date	linear	0.X ± 0.5	COPY		title			
C					0.XX ± 0.25	projection		3P + 56S + 3P			
				angles	0.XXX ± 0.10			VERTICAL PRESS-FIT HEADER			
					0° ± 2°	MIM		product family		PwrBlade	code
				dr	JM GUO 06/23/06			size	dwg no		213
				enrg	SLUO 06/23/06	scale		A	51710-025		sheet
				chr	BEER FU 06/23/06	1:1				4 of 4	
				appd	JOSEPH HSIA 06/23/06						
sheet index	revision sheet										

cage code 22526

Pro/E