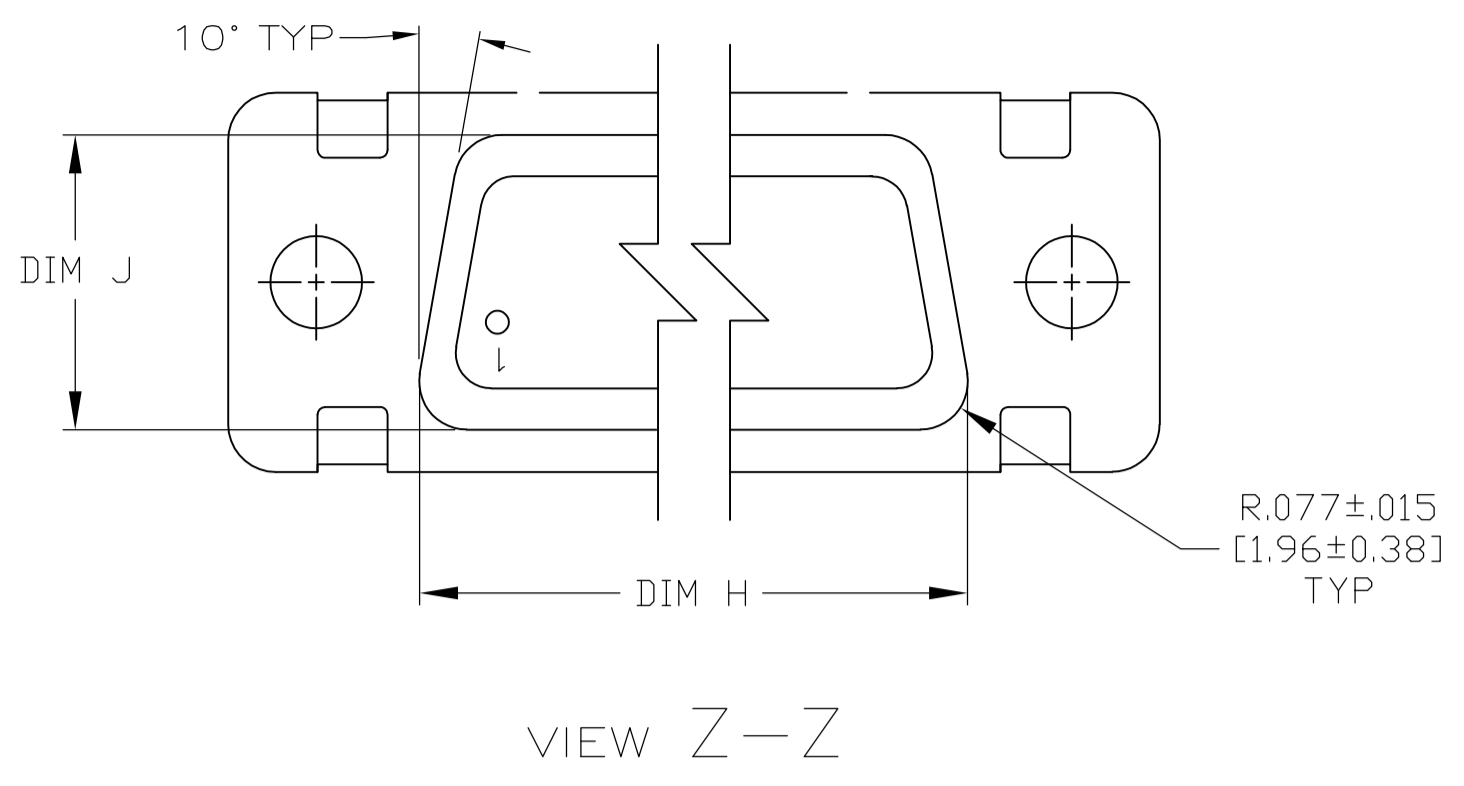
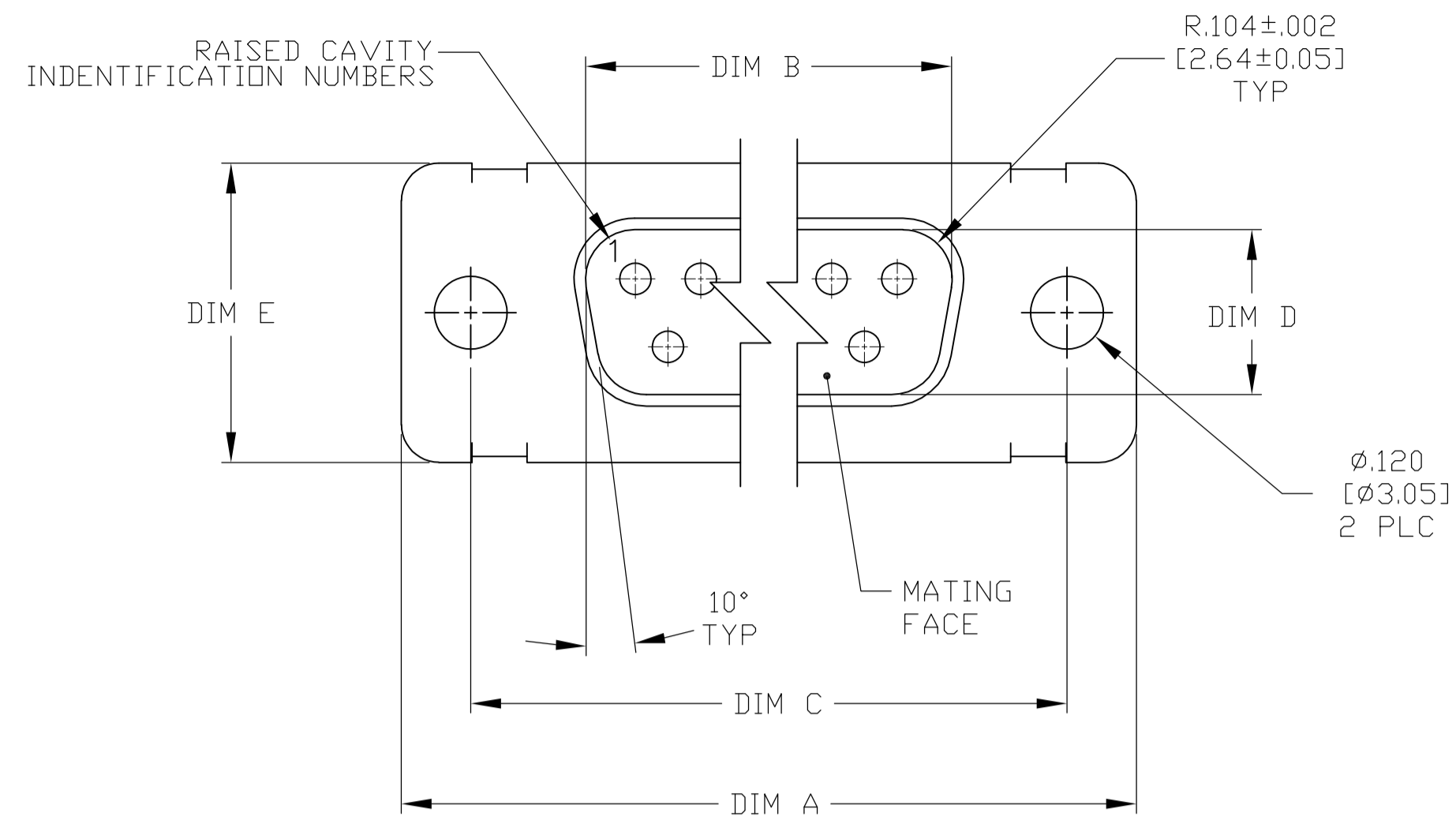
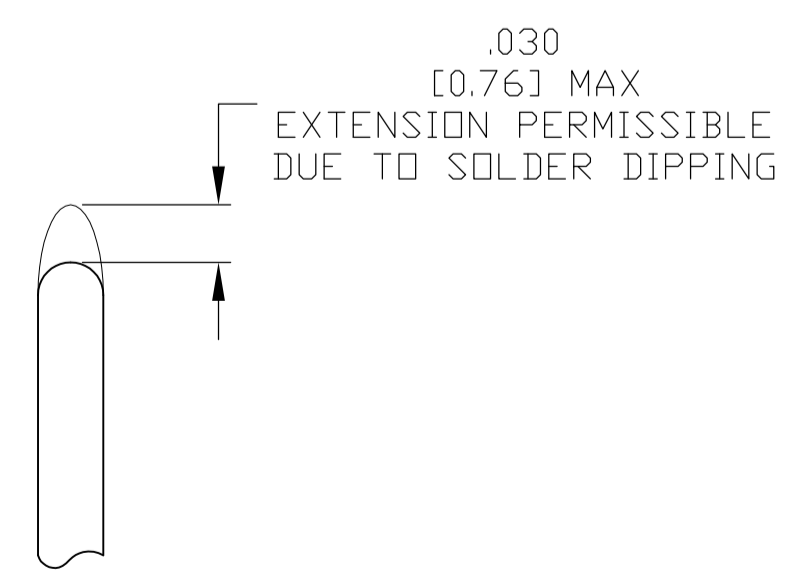
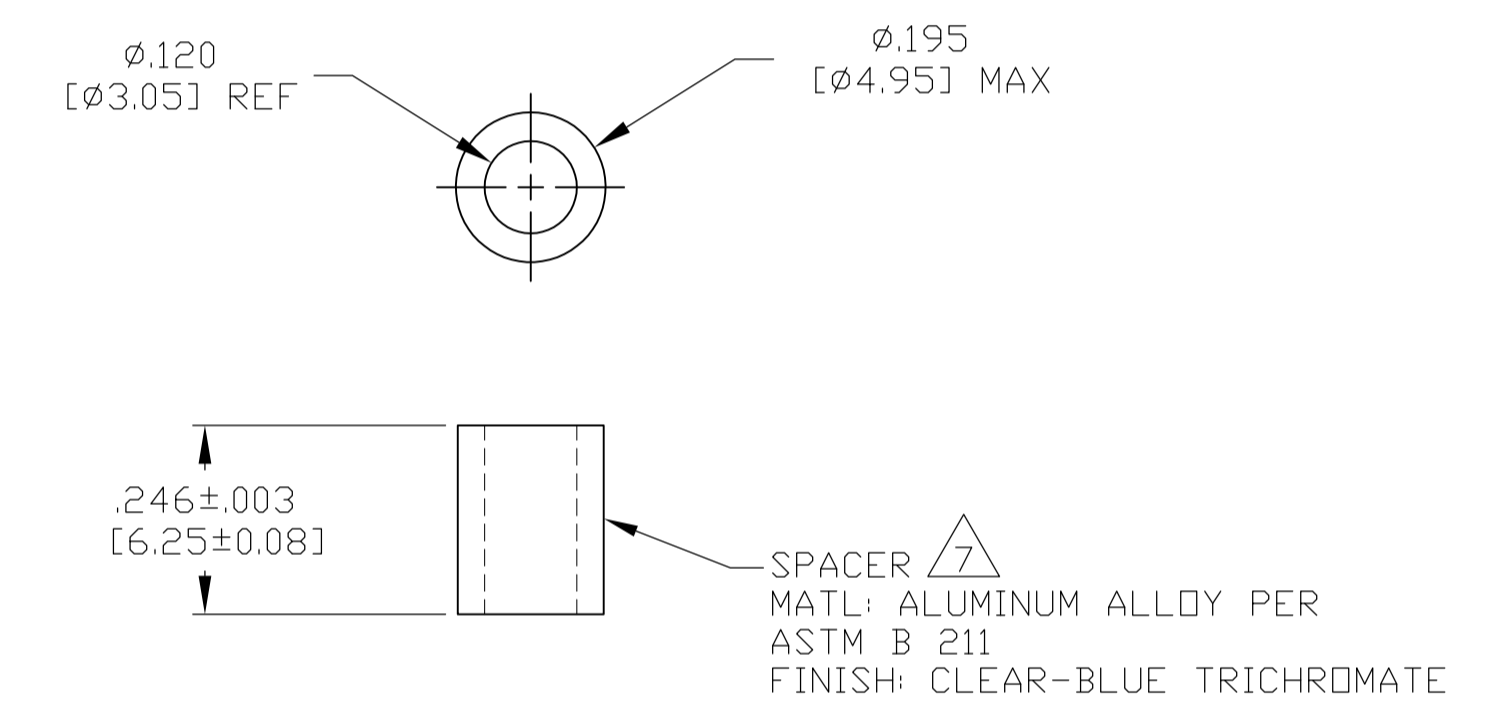
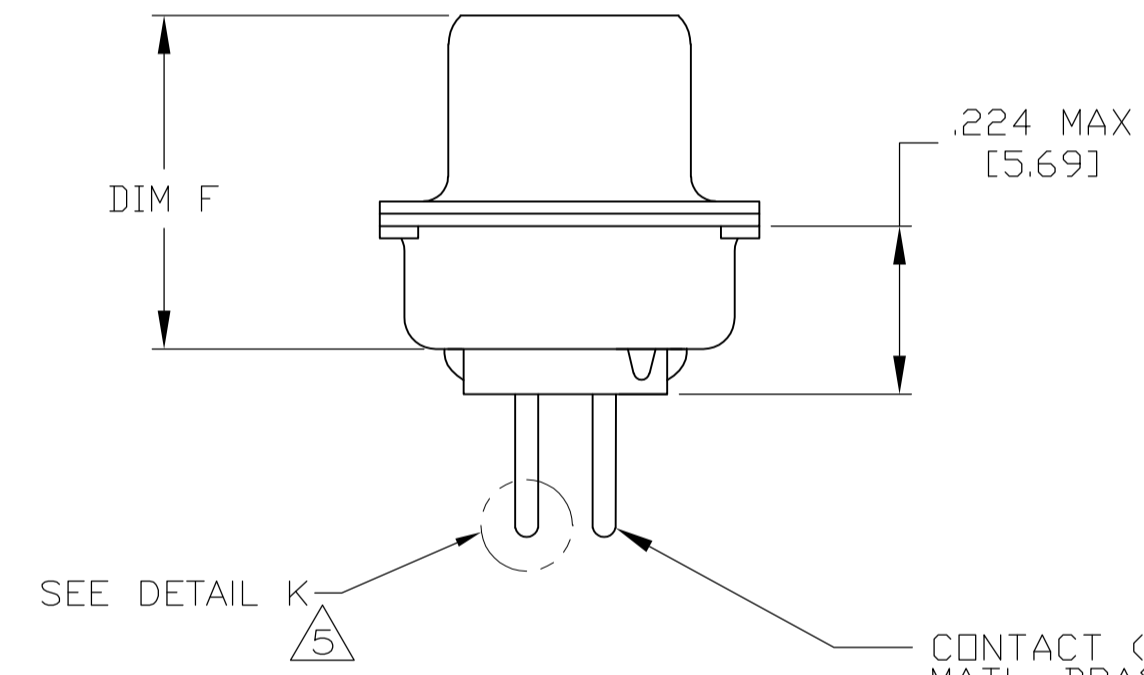
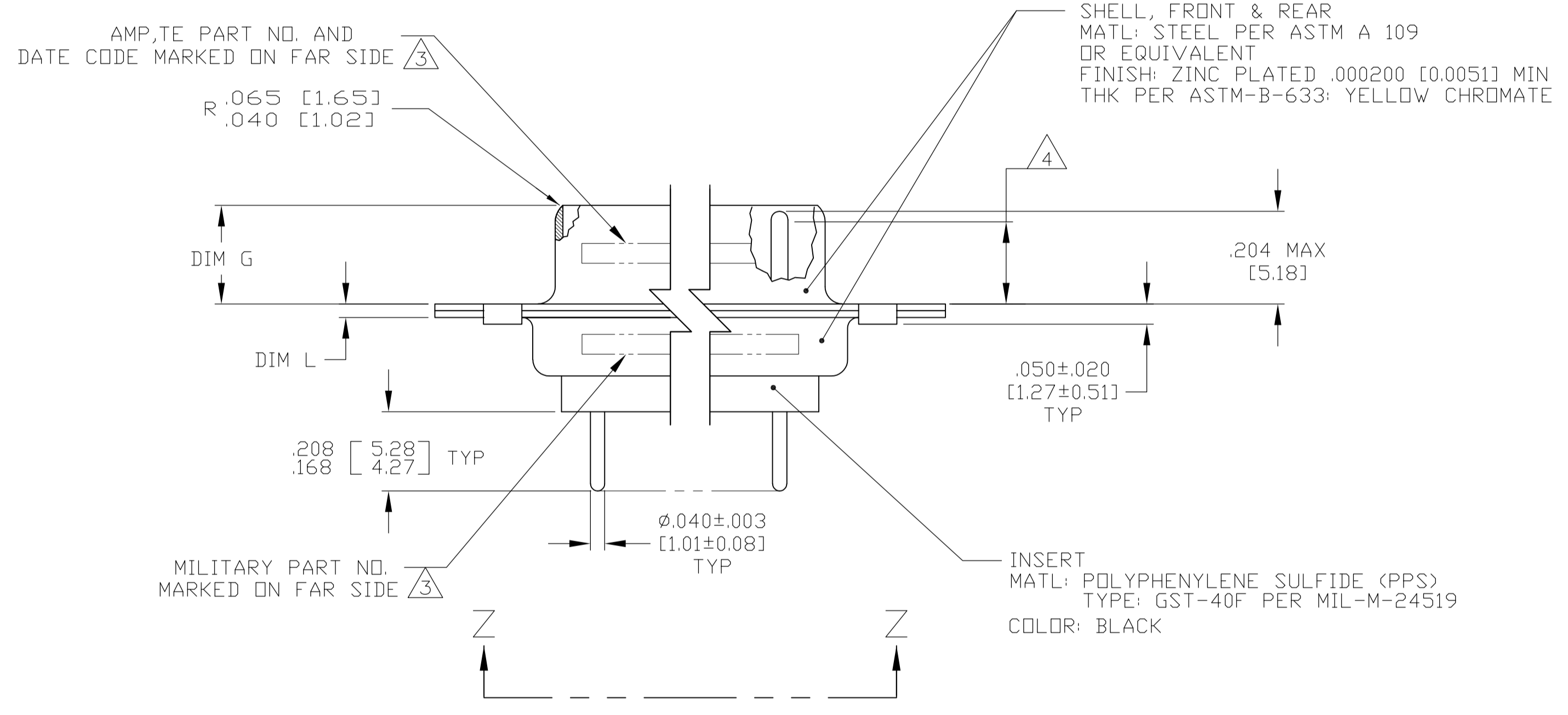


REV ISIONS		DATE	DN	APVD
REV	DESCRIPTION			
C	REV PER ECO 15-015343	12-10-15	CT	CD



- 1. SEE SHEET 2 FOR RECOMMENDED P.C. BOARD LAYOUT. TRUE POSITION TOLERANCE FOR P.C. BOARD LAYOUT IS .010 [0.25] AT MAX MATERIAL CONDITION. SUGGESTED BOARD THICKNESS IS .062 [1.57]
- 2. THE CONNECTORS DESCRIBED IN THIS DOCUMENT MEET THE REQUIREMENTS OF MIL-DTL-24308 AND MATE WITH ANY PLUG CONNECTOR WITH SAME INSERT ARRANGEMENT.
- 3. MARKED WITH .047 [1.19]-.062 [1.57] HIGH CHARACTERS. FAR SIDE REFERS TO THE WIDE SIDE OF THE KEYSTONE. NEAR SIDE REFERS TO THE NARROW SIDE OF THE KEYSTONE. IF THE REAR SHELL IS TOO SMALL FOR THE ENTIRE MILITARY PART NUMBER, MARKING SHALL BE LOCATED AS FOLLOWS:
 - A. "M24308" ON FRONT SHELL, FAR SIDE.
 - B. SLASH SHEET AND DASH NUMBER ON REAR SHELL, FAR SIDE.
 - C. "AMP" AND DATE CODE ON FRONT SHELL, NEAR SIDE.
 - D. TE PART NUMBER ON REAR SHELL, NEAR SIDE.
 IF THE FRONT SHELL IS TOO SMALL FOR "AMP", TE PART NUMBER AND DATE CODE, MARKING SHALL BE SPLIT AS FOLLOWS:
 - A. TE PART NUMBER ON REAR SHELL, NEAR SIDE.
 - B. "AMP" AND DATE CODE ON FRONT SHELL, NEAR SIDE.
 - C. MILITARY PART NUMBER ON REAR SHELL, FAR SIDE.
- 4. REQUIREMENT FOR FULL PIN DIAMETER EXTENSION: .159 [4.04] MIN FOR SHELL SIZE 1 THRU 2; .150 [3.81] MIN FOR SHELL SIZE 3, 4 & 5.
- 5. SOLDER DIPPED PER J-STD-001 WITH Sn63 SOLDER PER J-STD-006 IN THE ENTIRE AREA OF DIMENSION SHOWN. (1757833-6 THRU -10 ONLY.)
- 6. MEETS SOLDERABILITY PER MIL-STD-202 METHOD 208.
- 7. SPACERS (QTY = 2) ARE SUPPLIED WITH CONNECTOR; NOT ATTACHED.



L	J	H	G	F	E	D	C	B	A	MS	NO OF POS	SHELL SIZE	MILITARY P/N ON CONNECTOR	TE P/N ON CONNECTOR	PART NUMBER
.049 [1.24]	.544 [13.82]	2.188 [55.58]	.236 [5.99]	.436 [11.07]	.620 [15.75]	.446 [11.33]	2.411 [61.24]	2.084 [52.93]	2.650 [67.31]	MS18277-1	50	5	M24308/24-23Z	1757833-5	1-1757833-0
.029 [0.74]	.432 [10.97]	2.282 [57.96]	.224 [5.69]	.436 [11.07]	.509 [12.93]	.334 [8.48]	2.505 [63.63]	2.187 [55.55]	2.744 [69.70]	MS18276-1	37	4	M24308/24-22Z	1757833-4	1757833-9
.049 [1.24]	.432 [10.97]	1.635 [41.53]	.236 [5.99]	.436 [11.07]	.509 [12.93]	.334 [8.48]	1.857 [47.17]	1.539 [39.09]	2.103 [53.42]	MS18275-1	25	3	M24308/24-21Z	1757833-3	1757833-8
.040 [1.02]	.412 [10.46]	1.093 [27.76]	.229 [5.82]	.432 [10.97]	.509 [12.93]	.324 [8.23]	1.317 [33.45]	.999 [25.37]	1.556 [39.52]	MS18274-1	15	2	M24308/24-20Z	1757833-2	1757833-7
.040 [1.02]	.412 [10.46]	1.073 [27.25]	.229 [5.82]	.412 [10.46]	.509 [12.93]	.324 [8.23]	1.307 [33.20]	.989 [25.12]	1.526 [38.76]	MS18273-1	9	1	M24308/24-19Z	1757833-1	1757833-6
.049 [1.24]	.544 [13.82]	2.188 [55.58]	.236 [5.99]	.436 [11.07]	.620 [15.75]	.446 [11.33]	2.411 [61.24]	2.084 [52.93]	2.650 [67.31]	MS18277-1	50	5	M24308/24-23Z	1757833-5	1757833-5
.049 [1.24]	.432 [10.97]	2.282 [57.96]	.236 [5.99]	.436 [11.07]	.509 [12.93]	.334 [8.48]	2.505 [63.63]	2.187 [55.55]	2.744 [69.70]	MS18276-1	37	4	M24308/24-22Z	1757833-4	1757833-4
.049 [1.24]	.432 [10.97]	1.635 [41.53]	.236 [5.99]	.436 [11.07]	.509 [12.93]	.334 [8.48]	1.857 [47.17]	1.539 [39.09]	2.103 [53.42]	MS18275-1	25	3	M24308/24-21Z	1757833-3	1757833-3
.040 [1.02]	.412 [10.46]	1.093 [27.76]	.229 [5.82]	.432 [10.97]	.509 [12.93]	.324 [8.23]	1.317 [33.45]	.999 [25.37]	1.556 [39.52]	MS18274-1	15	2	M24308/24-20Z	1757833-2	1757833-2
.040 [1.02]	.412 [10.46]	1.073 [27.25]	.229 [5.82]	.412 [10.46]	.509 [12.93]	.324 [8.23]	1.307 [33.20]	.989 [25.12]	1.526 [38.76]	MS18273-1	9	1	M24308/24-19Z	1757833-1	1757833-1

DETAIL K
 SCALE 10:1
 FOR 1757833-6 THRU -10 ONLY

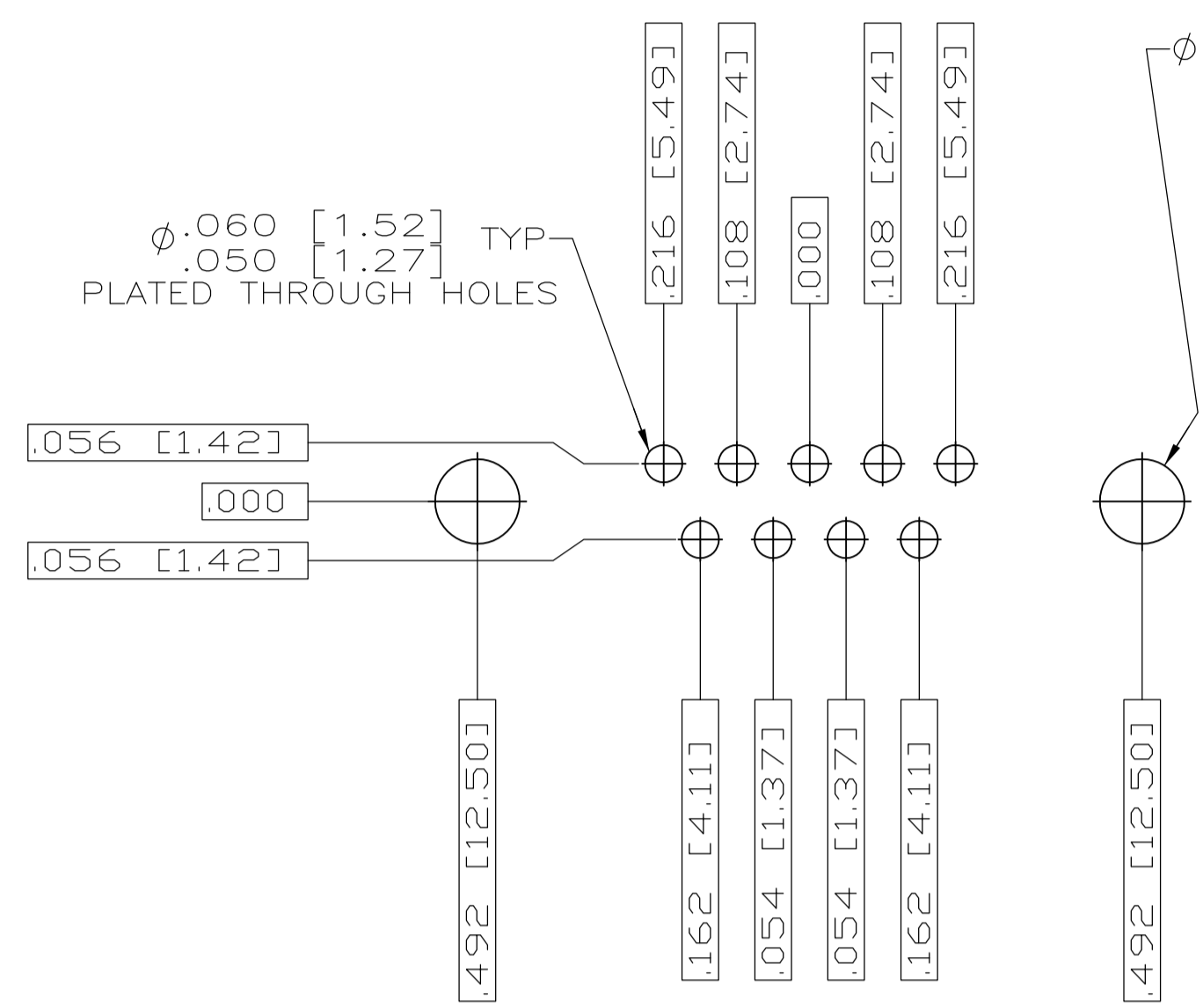
THIS DRAWING IS A CONTROLLED DOCUMENT.

DIMENSIONS: INCHES	TOLERANCES UNLESS OTHERWISE SPECIFIED:	0 PLC ± .0005	1 PLC ± .0005	2 PLC ± .0005	3 PLC ± .0005	4 PLC ± .0005	ANGLES ± .1°
--------------------	--	---------------	---------------	---------------	---------------	---------------	--------------

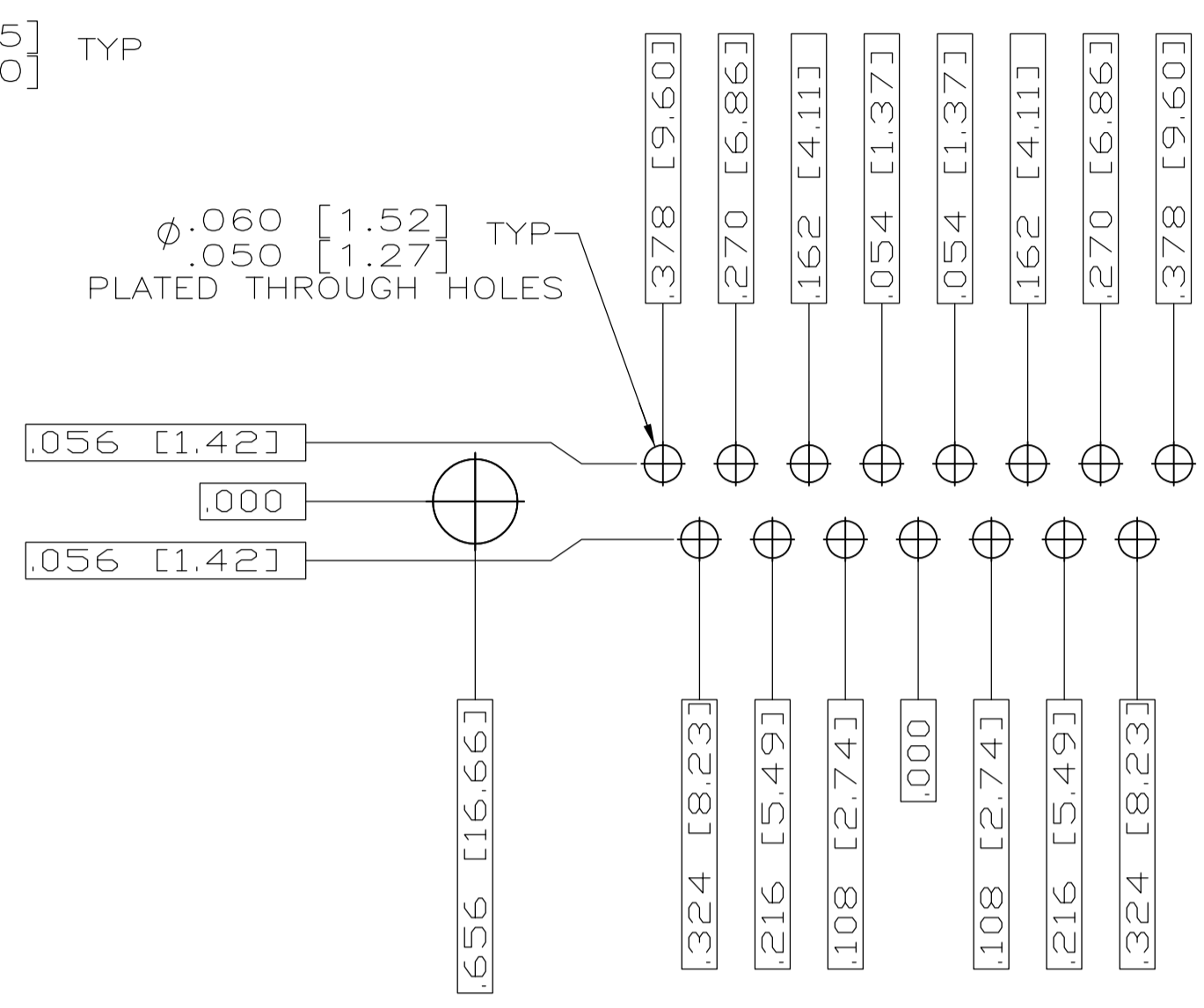
MATERIAL: SEE CALLOUTS	FINISH: SEE CALLOUTS	WEIGHT: --	SIZE: A1	CAGE CODE: 00779	DRAWING NO: 1757833	RESTRICTED TO: --
------------------------	----------------------	------------	----------	------------------	---------------------	-------------------

CUSTOMER DRAWING SCALE 4:1 SHEET 1 OF 2 REV C

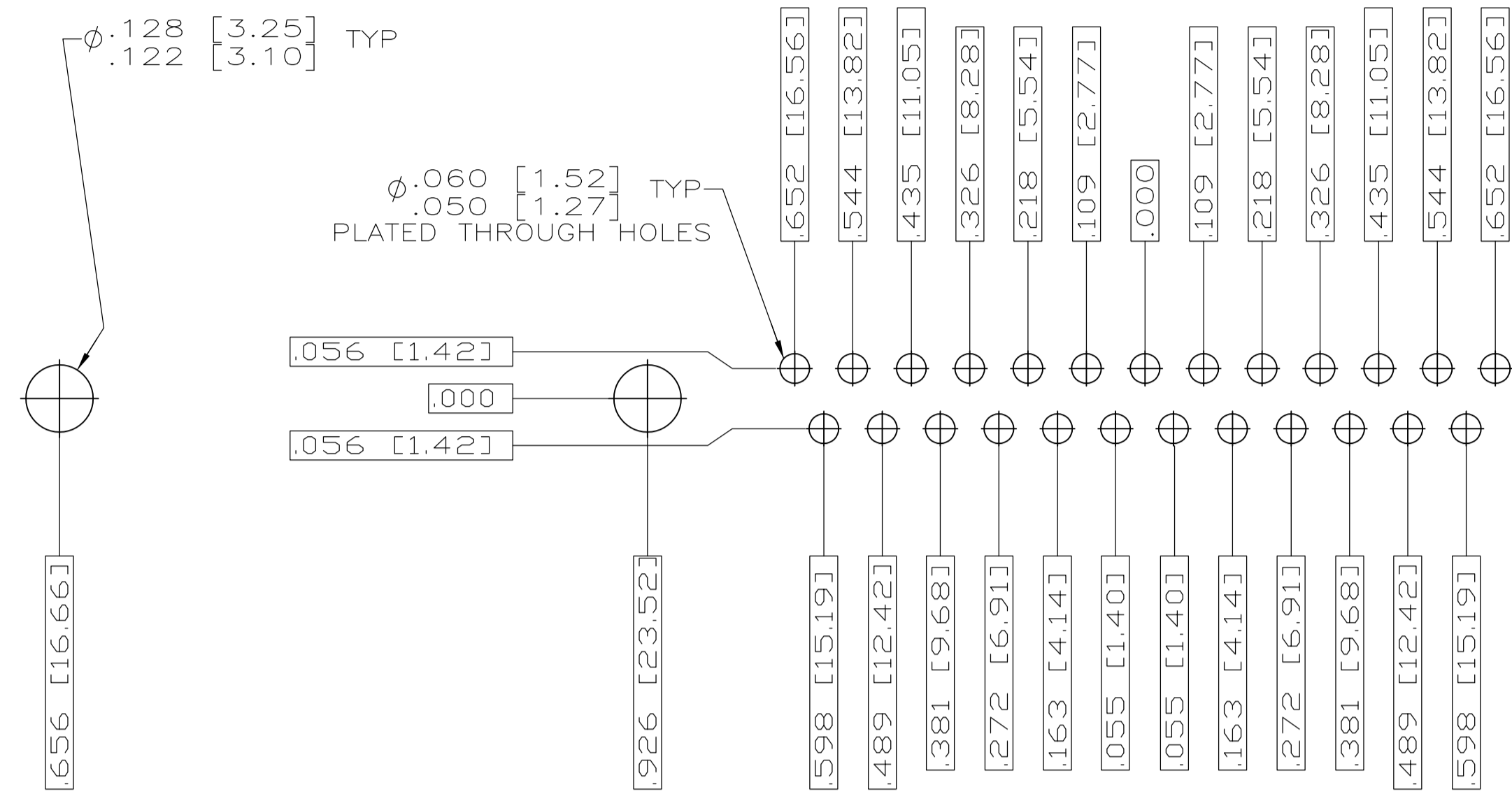
LOC		DIST		REVISIONS			
P	LTR	DESCRIPTION	DATE	DNW	APVD		
-	-	SEE SHEET #1	-	-	-	-	-



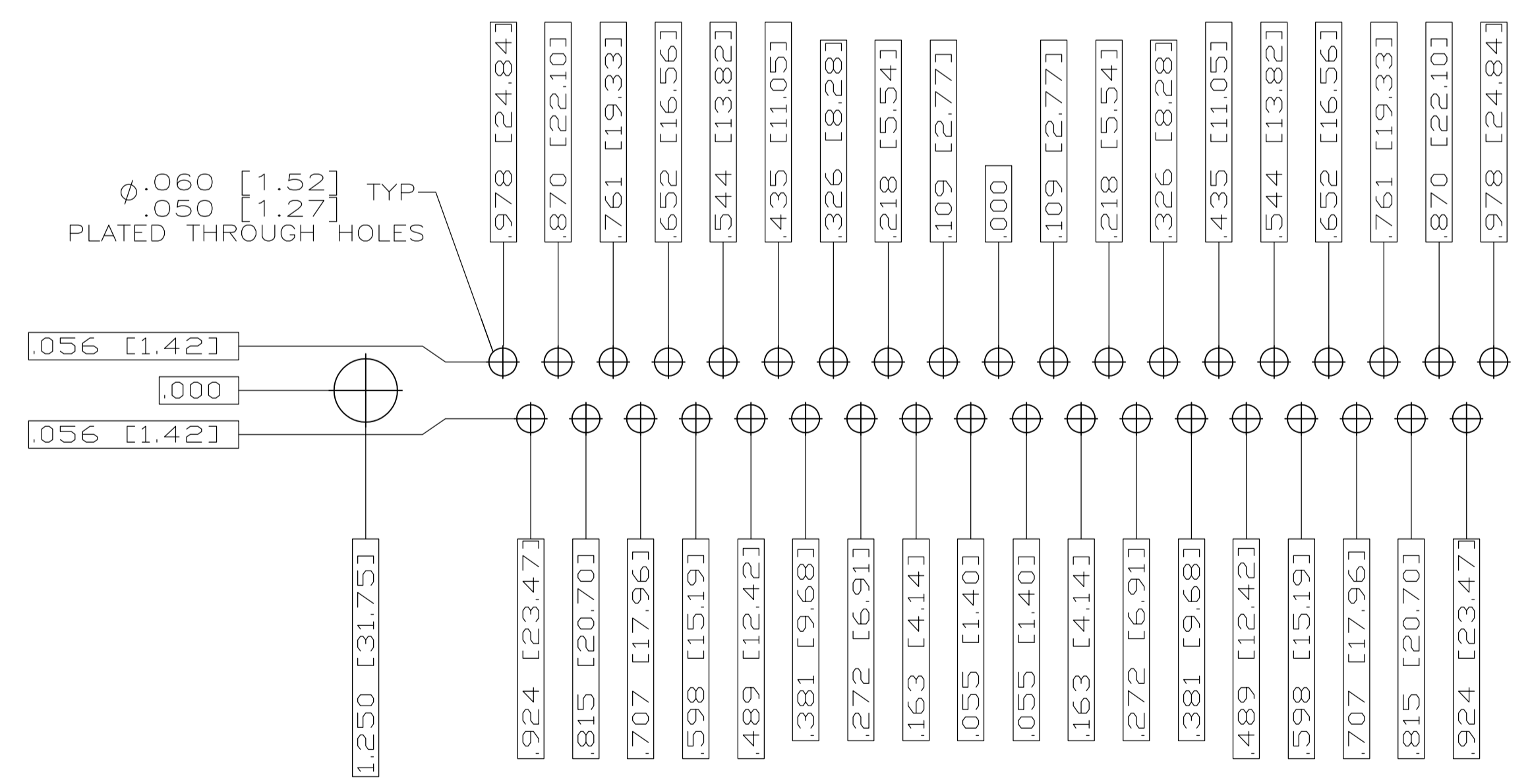
RECOMMENDED P.C. BOARD LAYOUT
SHELL SIZE 1 (9 POSITION)



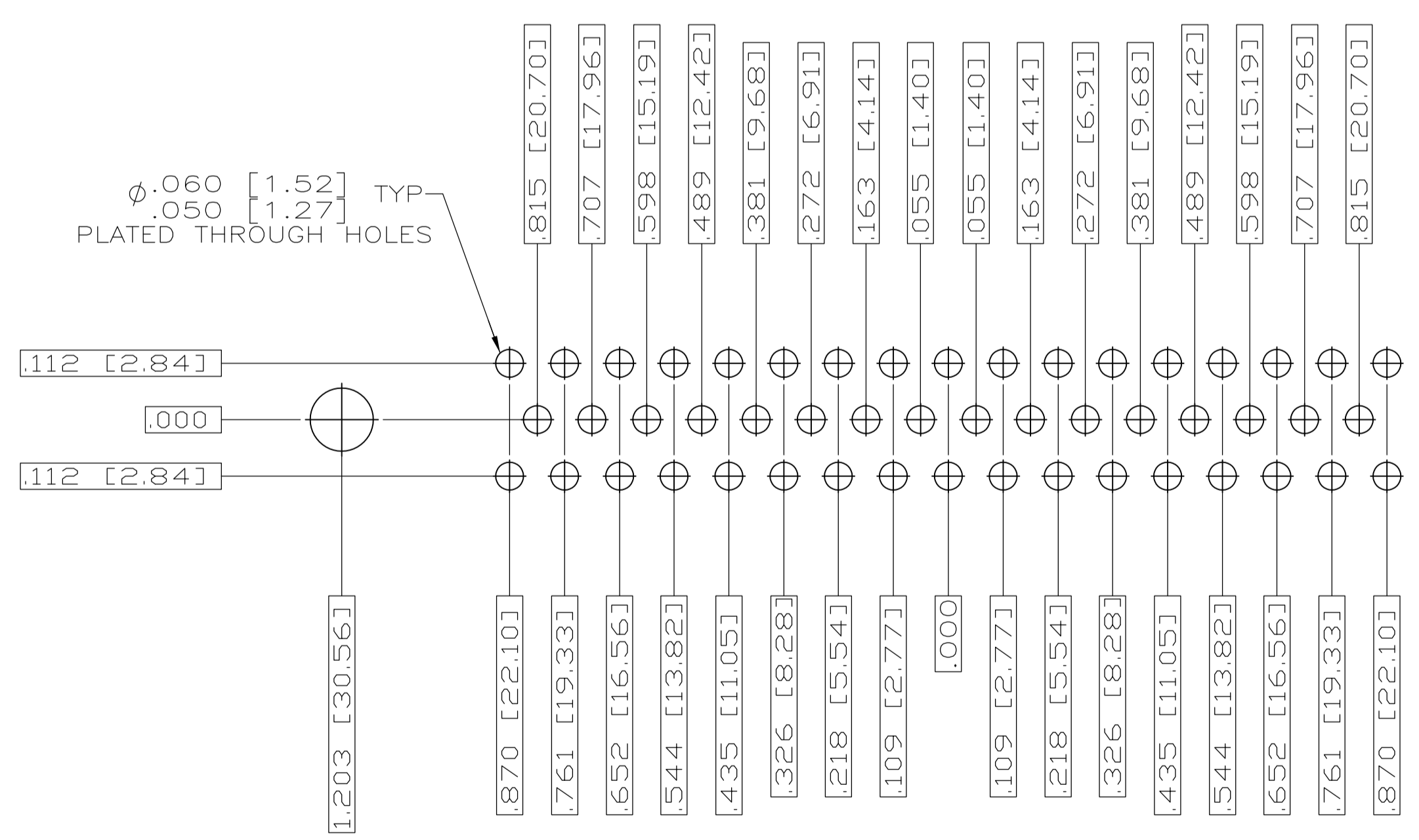
RECOMMENDED P.C. BOARD LAYOUT
SHELL SIZE 2 (15 POSITION) ⚠



RECOMMENDED P.C. BOARD LAYOUT
SHELL SIZE 3 (25 POSITION) ⚠



RECOMMENDED P.C. BOARD LAYOUT
SHELL SIZE 4 (37 POSITION) ⚠



RECOMMENDED P.C. BOARD LAYOUT
SHELL SIZE 5 (50 POSITION)

THIS DRAWING IS A CONTROLLED DOCUMENT.		DIN C.C. THOMAS 3-28-06	 TE Connectivity
DIMENSIONS: INCHES		CHK D. MILLER 3-29-06	
TOLERANCES UNLESS OTHERWISE SPECIFIED:		APVD D. MILLER 3-29-06	NAME
0 PL ± .005 1 PL ± .005 2 PL ± .005 3 PL ± .005 4 PL ± .005 ANGLES ± 1°		PRODUCT SPEC	PLUG ASSEMBLY, AMPLIMITE, POSTED SERIES 109, SIZE 1 THRU 5
MATERIAL SEE CALLOUTS		FINISH SEE CALLOUTS	RESTRICTED TO
WEIGHT		SIZE A1	CAGE CODE 00779
CUSTOMER DRAWING		DRAWING NO. 1757833	SCALE 4:1
		SHEET 2 OF 2	REV C