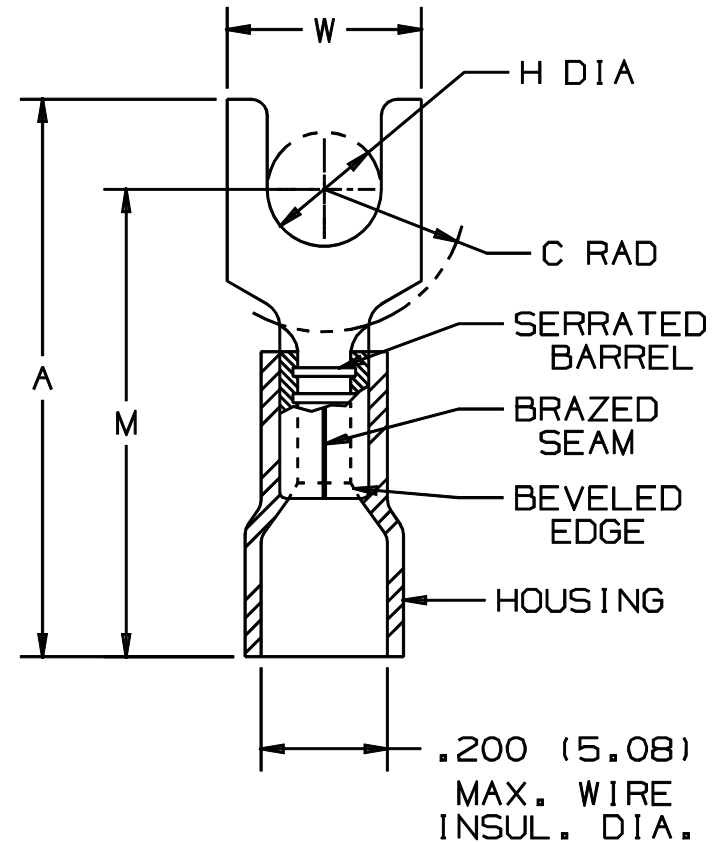


THIS COPY IS PROVIDED ON A RESTRICTED BASIS AND IS NOT TO BE USED IN ANY WAY DETRIMENTAL TO THE INTERESTS OF PANDUIT CORP.

PANDUIT PART NUMBER	STUD SIZE	DIMENSIONS in.				
		A $\pm .03$	W $\pm .01$	C $\pm .015$	M $\pm .03$	H $\pm .01$
PV14-6FX	#6	.89 (22.61)	.28 (7.11)	.16 (4.06)	.75 (19.05)	.15 (3.81)
PV14-8FX	#8	.96 (24.38)	.31 (7.87)	.20 (5.08)	.79 (20.07)	.17 (4.32)
PV14-10FX	#10	.97 (24.64)	.34 (8.64)	.22 (5.59)	.80 (20.32)	.20 (5.08)

NOTES:

- UL LISTED & CSA CERTIFIED FOR
 - A.600 V. MAX VOLTAGE RATING (1000 V. MAX IN SIGNS, FIXTURES AND LUMINAIRES).
 - B. 18-14 AWG SOLID OR STRANDED COPPER WIRE & 221°F (105°C) MAX TEMP RATING, WITH THE CT-500, CT-550 CT-1551, CT-1550 INSTALLATION TOOLS.
 - C. 16-14 AWG SOLID OR STRANDED COPPER WIRE & 167°F (75°C) MAX TEMP RATING WITH THE CT-100 INSTALLATION TOOLS.
- MATERIAL:
 - A. STAMPING - .03 (.08) THK COPPER, TIN PLATED
 - B. HOUSING - VINYL, BLUE
- STRIP LENGTH 5/16 $\pm 1/32$.0
- PACKAGE QTY:
 - C=100
 - M=1000
- DIMENSIONS IN BRACKETS ARE IN MILLIMETERS.



LISTED
587H
E52164



CERTIFIED
LR31212

A41258_06

06	1/01	RM		FILESPEC WAS N41258AA_PCD_05				<p>TINLEY PARK, ILLINOIS</p> <p>#16-14 BARREL VINYL INSULATED FORK, .200 (5.08) MAX WIRE INSUL DIA.</p>								
05		JKD		ADDED CT-1551 & CT-1550 TOOLS	07634											
4	9-94	MS	RLS	TEMP. RATING (221°F) WAS 212°F	02482	LA	TM									
3	9-94	MS	RS	REVISED DIMENSIONS AND NOTES	02476	LA										
REV	DATE	BY	CHK	DESCRIPTION	ECN	CUST	PM	<table border="0"> <tr> <td>DRAWN BY</td> <td>CHK'D</td> <td>SCALE</td> <td>DRAWING NO.</td> </tr> <tr> <td>DAW</td> <td>RLS</td> <td>NONE</td> <td>A41258</td> </tr> </table>	DRAWN BY	CHK'D	SCALE	DRAWING NO.	DAW	RLS	NONE	A41258
DRAWN BY	CHK'D	SCALE	DRAWING NO.													
DAW	RLS	NONE	A41258													