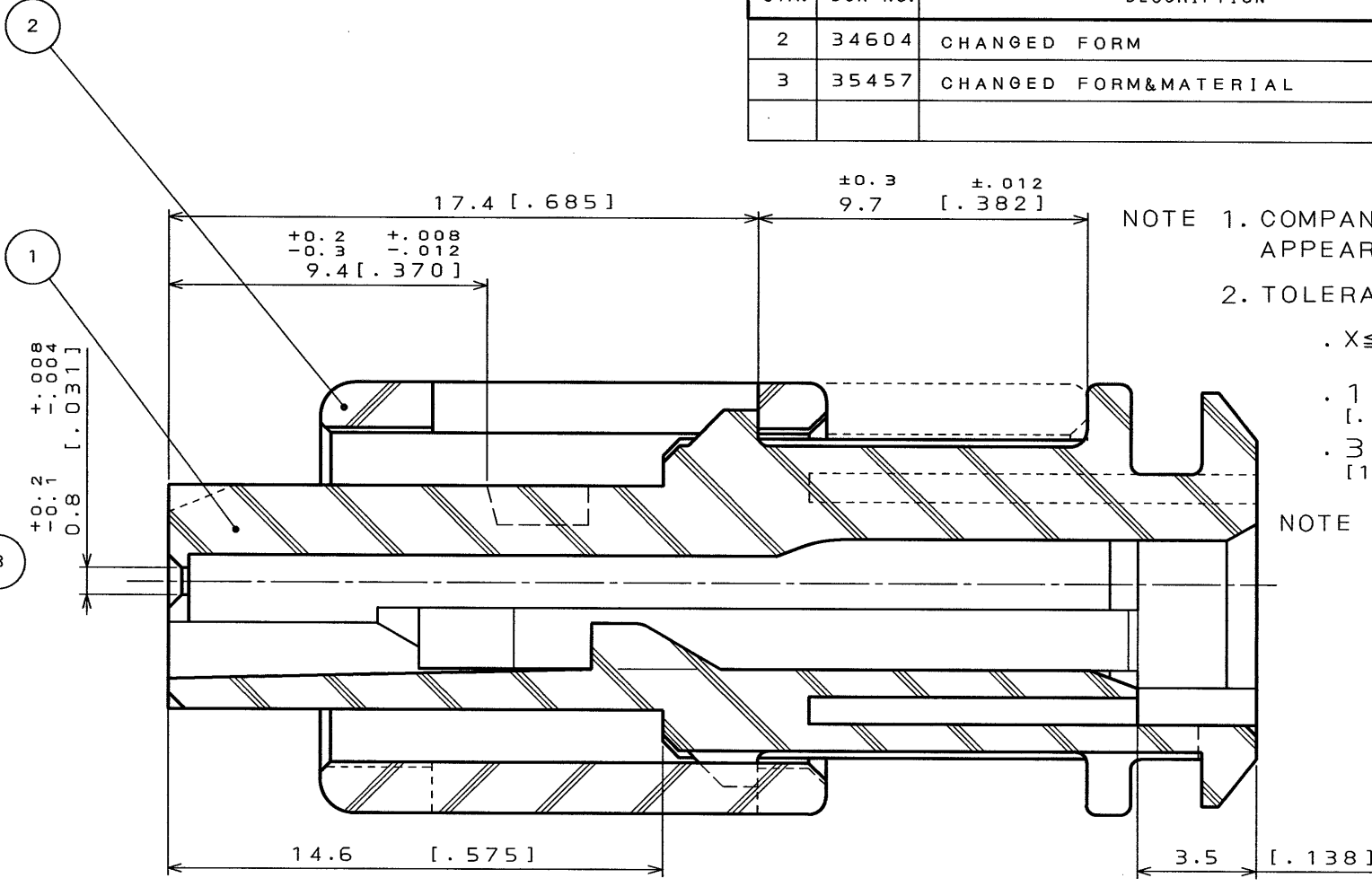
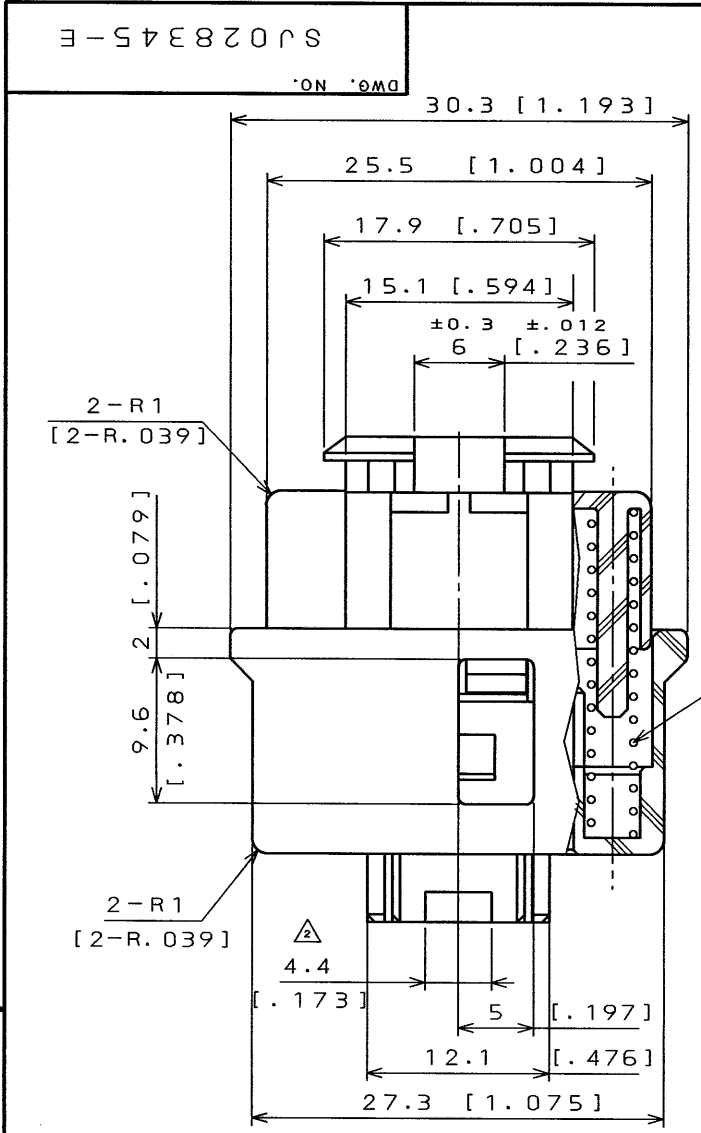


SYM.	DCN NO.	DESCRIPTION	DATE	DRAWN	CHECKED	APP'D	APP'D
2	34604	CHANGED FORM	27. Sep '94		SHINMYO	T. TOTANI	H. FUJINO
3	35457	CHANGED FORM&MATERIAL	17. Feb '95		SHINMYO		I. Imori



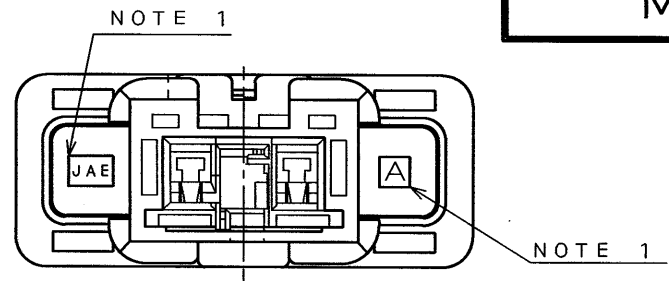
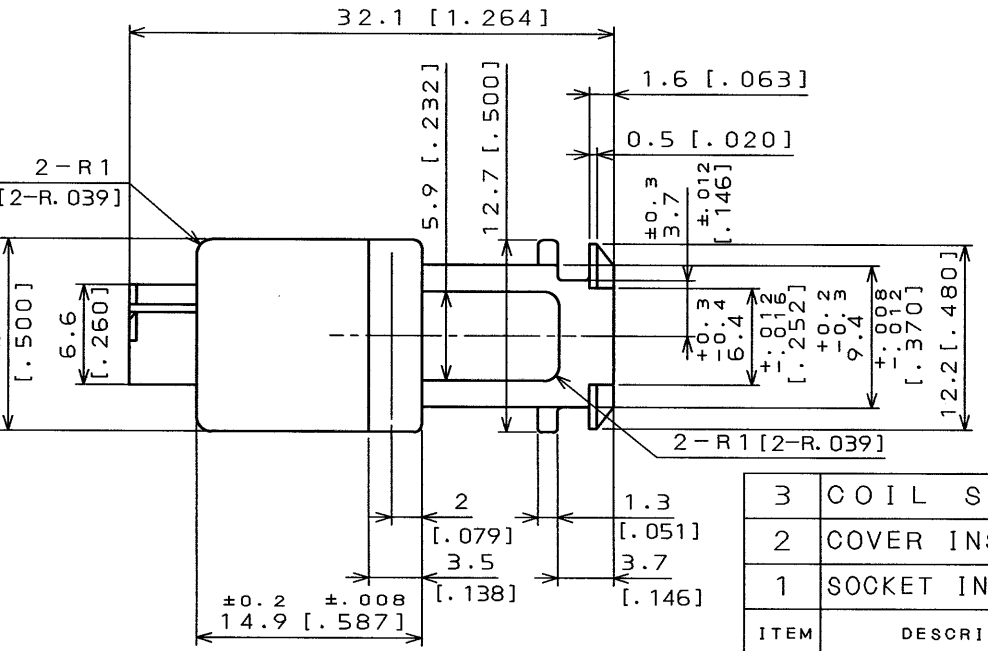
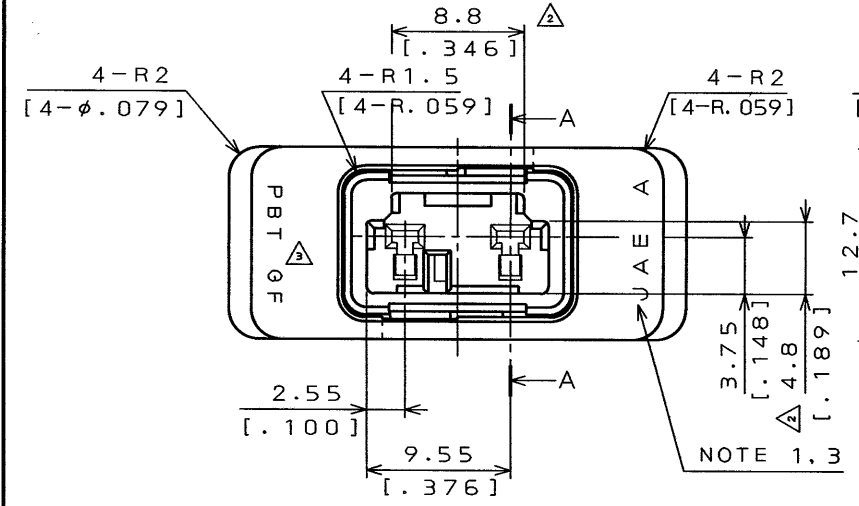
NOTE 1. COMPANY LOGO "JAE" & TOOLING MARK APPEARS IN RAISED LETTERS OR RELIEF.

2. TOLERANCES (DIMENSION:X)

.X ≤ 10	: ±0.2
[.394]	[±.008]
.10 < X ≤ 30	: ±0.5
[.394] [1.181]	[.020]
.30 < X ≤ 100	: ±1
[1.181] [3.937]	[.039]

NOTE 3. IT WILL BE NOT MATTER WHETHER THIS MARK IS LOCATED AT THE RIGHT SIDE OR THE LEFT SIDE OF THE CENTER

SPECIAL CONTROL ITEM MX9



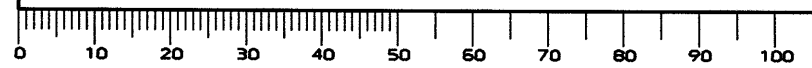
ITEM	DESCRIPTION	Q'TY	MATERIAL	FINISH	REMARKS
3	COIL SPRING	2	SUS304		
2	COVER INSULATOR	1	GLASS FILLED PBT	△	COLOR:YELLOW
1	SOCKET INSULATOR	1	PBT		COLOR:YELLOW

REFERENCE DOCUMENT	DATE	SCALE	WT.
	23. May. '94	1	
MATERIAL	DRAWN	TITLE	
	M. OOWA	MX9-2SC	
TREATMENT	CHECKED	SERIES	
	SHINMYO	MX9	
FINISH	APP'D	DWG. NO.	
	I. IMORI	SJ028345-E	

DIMENSIONS ARE IN MILLIMETERS
TOLERANCES ON: (INCHES)

DIMENSION	ANGLES
. ±	X° ±
.X ±	X°X' ±
.XX ±	CONCENTRICITY
.XXX ±	WITHIN T.I.R.

DCF-116A



CDS94-110-10178

SIZE A3