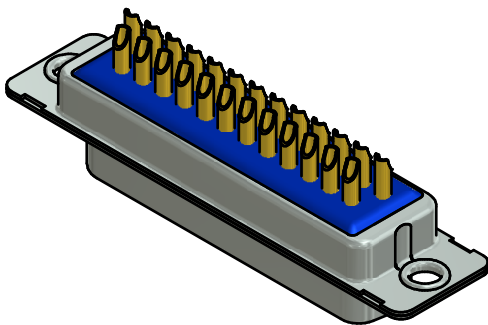
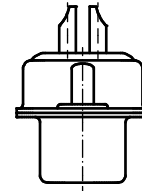
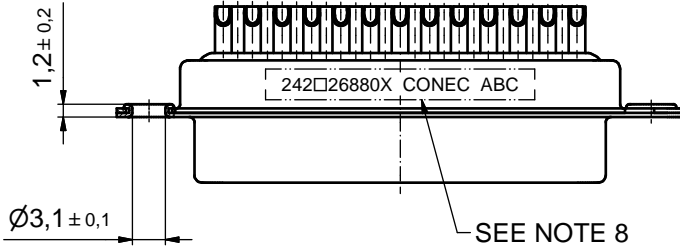
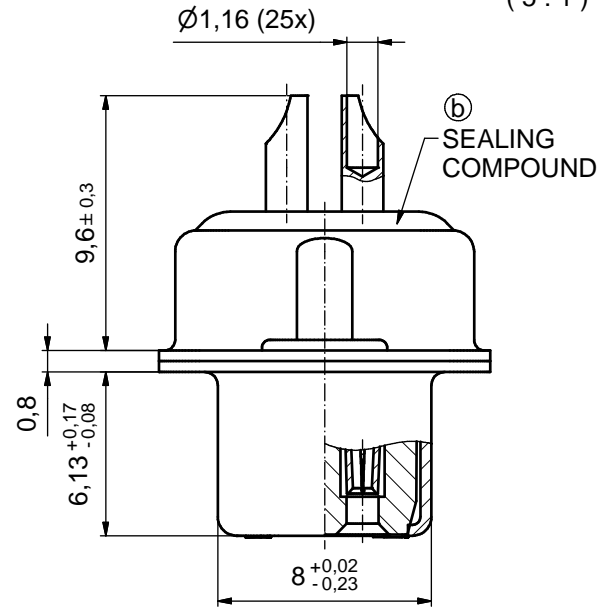
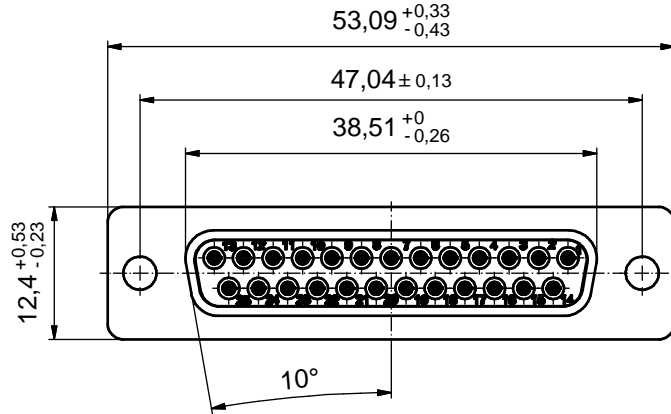


Solder Instruction

1. Cable should be prepared for soldering. The cable/wires must be pretinned.
2. Insert cable/wire into solder cup
3. Operate the soldering iron at 350°C, 50 Watt m ax. and use a pencil tip.
4. Apply some solder to the solder tip of the soldering iron.
5. Put tip to wire in solder cup
6. After 1 second bring in solder.
7. Heat for 3 seconds longer. Do not heat contact more than 6 seconds in total.
8. Remove soldering iron.
9. Wait until solder gets rigid again.
10. Do not solder adjacent contacts consecutively, alternate position within the connector to minimize heat build up.

(5 : 1)



NOTES:

1. RoHS COMPLIANT
2. METALSHELLS: STEEL; min. 315µm TIN over 40-80µm NICKEL
3. INSULATOR: HIGH TEMPERATURE PLASTIC UL 94 V-0; BLACK
4. CONTACTS: COPPER ALLOY; PLATING (SEE PART-NO.):
 PLEASE ADD A for GOLD FLASH over NICKEL (PREFERRED TYPE)
 PLEASE ADD B for 20µm HARD GOLD over min. 50µm NICKEL
 PLEASE ADD C for 30µm HARD GOLD over min. 50µm NICKEL
 SOLDER CUP ACCEPTS CABLE AWG 20
5. SEALING COMPOUND: PUR; BLUE
6. CAPACITANCE: 1300 pF ± 20%
7. DIELECTRIC WITHSTANDING VOLTAGE: 424 VDC
8. CONNECTOR IS PART MARKED: **242□26880X CONEC ABC** (see note 4)

RoHS compliant

THIS DRAWING MAY NOT BE COPIED OR REPRODUCED IN ANY WAY, AND MAY NOT BE PASSED ON TO A THIRD PARTY WITHOUT WRITTEN PERMISSION. OWNERSHIP AND COPYRIGHT OF CONEC GmbH DO NOT ALTER CAD DRAWING BY HAND				tolerance		dim. in mm	scale: 2:1 (5:1)				
							material: SEE NOTES				
						date	name	title: D-SUB C-FILTER FEMALE 25pos. SOLDER CUP			
						drawn	24.05.16				
		appd.	25.05.16	Fischer							
		norm		DIN 41652		title:					
		d-old		24K1A757		dwg no:					
3 x b		Ä6143	24.05.2016	Lehm.				DIN-A3			
a		Original						(b) 24K1A1697		sh: 1	
rev.	description	date	name	part no: 242□26880X (see note 4)							