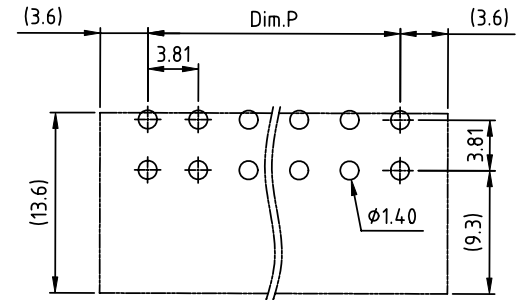
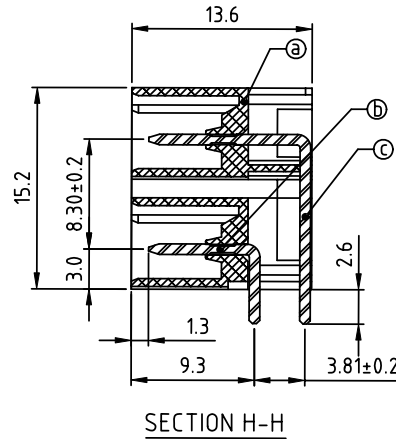
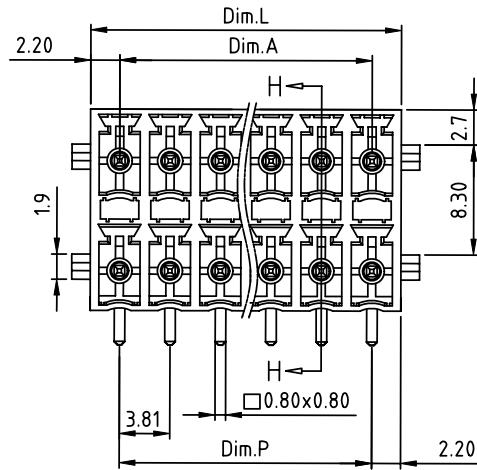
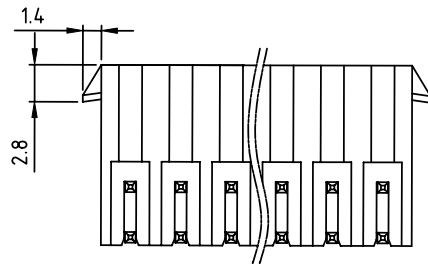


PRODUCT NUMBER	PITCH
KExx33x1A0J0G	3.81 mm



RECOMMENDED P.C.B LAYOUT  
TOP VIEW



Material:

- Item ① Terminal housing: Thermoplastic (UL94V-0)
- Item ② Short pin: Copper Tin plated
- Item ③ Long pin: Copper Tin plated

Electrical:

- Voltage rating: 300V
- Current rating: 5.5A
- Withstanding Voltage: 1.6 KV
- Operating temperature: -40°C to +115°C
- Soldering temperature: 260°C ±5°C/5 Sec
- Safety Approval:

DIMENSION

Dim.L	$(N/2-1) \times 3.81+4.4$		
Dim.P	$(N/2-1) \times 3.81$		
Dim.A	$(N/2-1) \times 3.81$		

N=Number of poles

poles	Dim.L	Dim.P	Dim.A
2x2P-2x5P	±0.20	±0.15	±0.15
2x6P-2x16P	±0.30	±0.25	±0.25
2x17P-2x24P	±0.40	±0.30	±0.30

PART NO.: KE xx 3 3 x 1 A0J0 G

	Color	RoHS compliant
Solid block	0 Black (RAL9005)	(lead<4%)
No. of poles	2 Red (RAL3001/D)	In copper Alloy
04 2x2poles	3 Orange(RAL2011/P)	
06 2x3poles	4 Yellow(RAL1018/A)	
...	5 Green(RAL6018/T)	
48 2x24poles	6 Blue (RAL5015/A)	
	8 Grey(RAL7035/D)	
	9 White(RAL1102)	
	C Green(RAL6018/U)	

mat'l. code		surface ASME Y14.5	tolerance ASME Y14.5	projection	product family TERMINAL BLOCK
ltr	ecn no	dr	date	tolerances unless otherwise specified	title TERMINAL BLOCK
				angles X°±1'	PLUGGABLE SOCKET,RIGHT ANGLE,W/LATCH HOLDER
				linear X.XX±0.1	scale
		dr	EVIN ZHONG	042414	
		engr	EVIN ZHONG	042414	
		chr	HANKE FENG	042414	
		appd	SHI JUN	042414	
sheet index	revision sheet	A	1		dwg no KExx33x1A0J0G sheet 1 of 1 size A4 type CUSTOMER Drawing