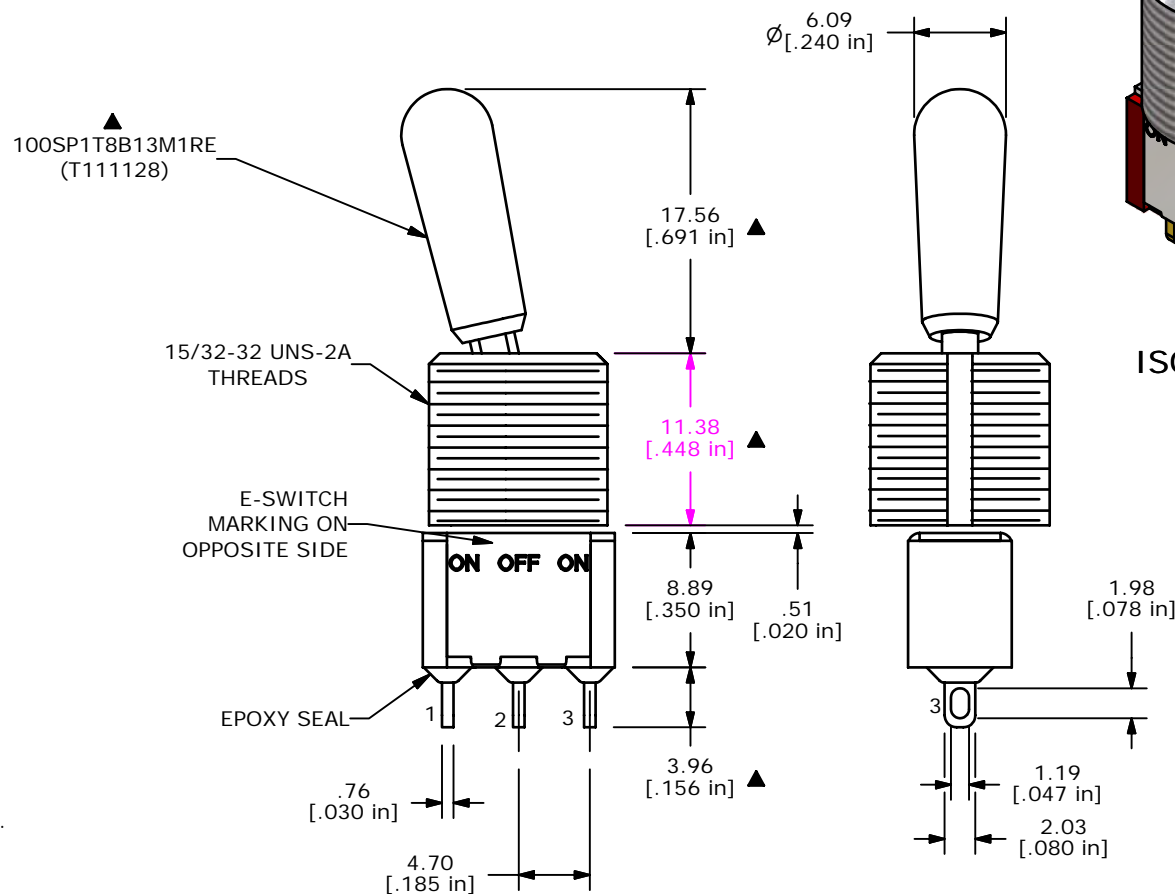
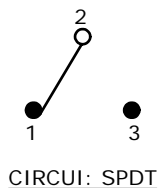


ISOMETRIC

SWITCH FUNCTION		
POS. 1	POS. 2	POS. 3
ON	OFF	ON
2-3	OPEN	2-1



- NOTE:
1. ALL DIMENSIONS IN MM [INCH]
  2. GENERAL TOLERANCE: X.X=±0.4  
X.XX=±0.25
  3. TERMINAL NUMBERS FOR REF ONLY
  - ▲ 4. PLATING MATERIAL: GOLD
  5. RATING: 0.4 (VA) MAX @20V MAX
  6. ELECTRIC LIFE: 40,000 MAKE-AND-BREAK CYCLES AT FULL LOAD.
  7. INSULATION RESISTANCE: 1,000 MΩ MIN.
  8. DIELECTRIC STRENGTH: 1,000 V RMS @SEA LEVEL.
  9. OPERATING TEMP.: -30°C to 85°C
  - ▲ 10. HARDWARE TO BE SHIPPED BULK  
T100004 - HEXNUT - QTY 2  
T100012 - LOCKWASHER - QTY 1  
T100003 - LOCKRING - QTY 1
  11. ▲ DENOTES CRITICAL PARAMETER.



B	15975	UPDATE ACTUATOR HEIGHT	4/19/06	CT
A	14933	RELEASED FOR PRODUCTION	5/18/05	JB
REV	PCR NO	DESCRIPTION	DATE	BY

TITLE 100SP1T8B13M1REH				
SCALE	DATE	DR	DWG	REV
2:1	5/18/2005	JB	ST111128	B

THE INFORMATION CONTAINED IN THIS DOCUMENT IS PROPRIETARY TO E-SWITCH AND IS NOT TO BE COPIED OR TRANSFERRED