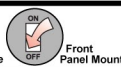
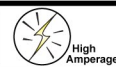


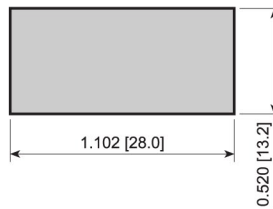
# PP1 Series



RoHS

**NEW**

## Suggested Panel Cutout



## FEATURES:

- Push and Pull Function
- Various Terminal Options
- High Ratings with UL approvals

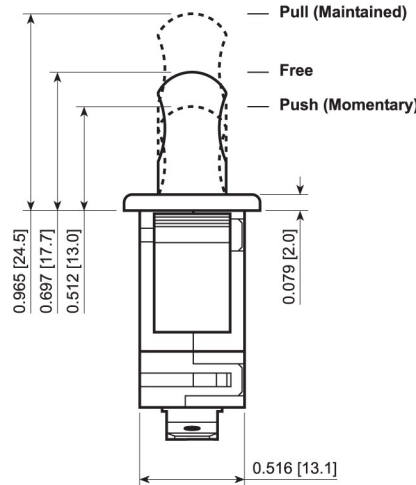
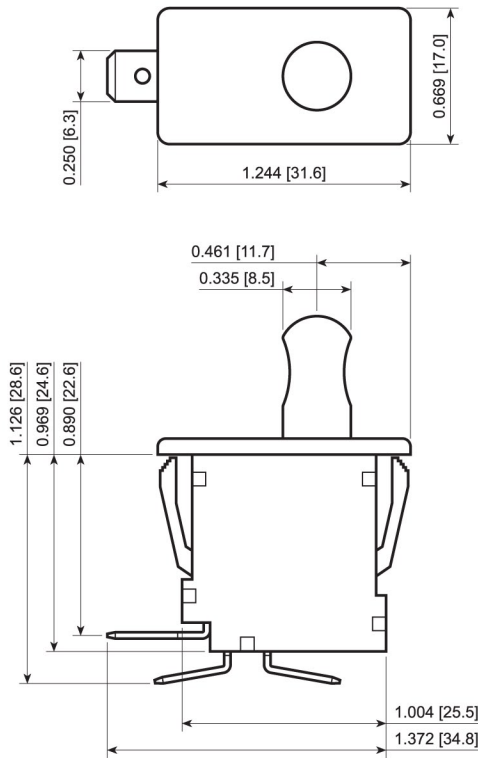
## SPECIFICATIONS:

**ELECTRICAL RATING:** 16A 125VAC [cURus]  
12A 250VAC [cURus]  
1hp 125/250VAC [cURus]  
**TEMPERATURE:** 0°C to 85°C [cURus]  
**ELECTRICAL LIFE:** 6,000 Cycles [cURus]  
**CONTACT RESISTANCE:** 50mΩ Max.

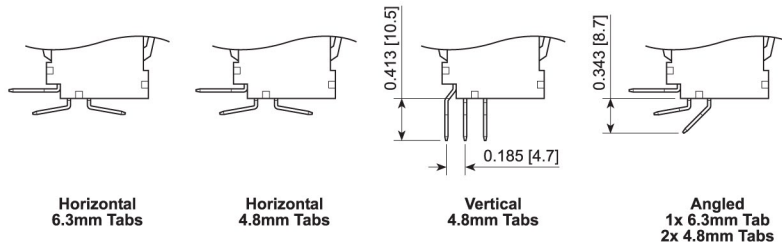
## MATERIALS:

**Body:** Polyamide 6/6  
**ACTUATOR:** Polyamide 6/6  
**CONTACTS:** Silver Alloy  
**TERMINALS:** Silver Plated Brass

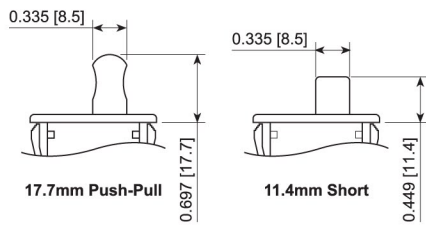
PUSHBUTTON



## Terminal Options



## Actuator Options



PP1-ET7-2B2

Series	Terminal Type	Function	Rating	Body Color	Actuator Height	Actuator Color
PP1	1 - 4.8mm Tabs, Vertical D - 4.8mm Tabs, Horizontal E - 6.3mm Tabs, Horizontal F - 1x6.3mm, 2x4.8mm Tabs, Angled	B - On-(On) T - On <sub>1</sub> -On <sub>1</sub> -(On <sub>2</sub> )	7 - 16A 125VAC 12A 250VAC 1HP 125/250VAC	1 - Black 2 - White	B - 17.7mm Push-Pull (*) D - 11.4mm Short (**)	2 - White

Note:  
\* = Actuator B available with terminals 1, D, and E.  
\*\* = Actuator D available with terminals E and F, and function B only.

## EXAMPLE PART NUMBERS:

PP1-ET7-2B2 1P On<sub>1</sub>-On<sub>1</sub>-(On<sub>2</sub>)  
6.3mm Tabs, 17.7mm Push-Pull Actuator