

**Telecom OC12 Oscillator**

- 311.04 MHz Fixed Osc
- LVDS Output

**Applications**

- SDH / SONET
- Digital Switching
- Test Equipment
- Cellular Telephony
- Land Mobile Radio

**Series**

**C3FSV**

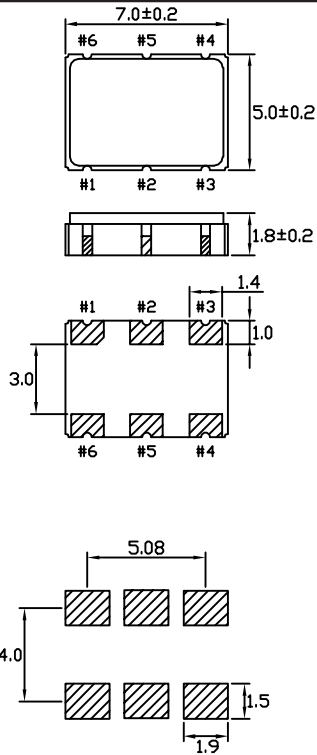
**Part Numbering Example: C3FSV Z**

Specifications:	Min	Typ	Max	Unit
Frequency Range:		311.04		MHz
Available Stability Options:	-30		30	ppm
Supply Voltage:	3.135	3.3	3.465	V
Operating Temperature Range Options:	-10		85	°C
Storage Temperature:	-55		125	°C
Duty Cycle:	45		55	%
Start-Up Time:		3	10	mS
Aging (PPM/1st Year): Ta=25C, Vdd=3.3V			±5	
Static Discharge Voltage Mil-Std 883, method 3015	2000			V
Supply Current			80	mA
Short Circuit Current		± 50		mA
Jitter Integrated Period		3 10	4	pS pS
Phase Noise @10KHz Offset		-122		dBc/Hz
<b>Output Level:</b>	LVDS			
<b>Packaging:</b>	Tape & Reel			

Notes: Extended exposure exceeding maximum ratings may cause permanent damage and affect reliability. Operation outside of specifications is not supported.



C3FSV

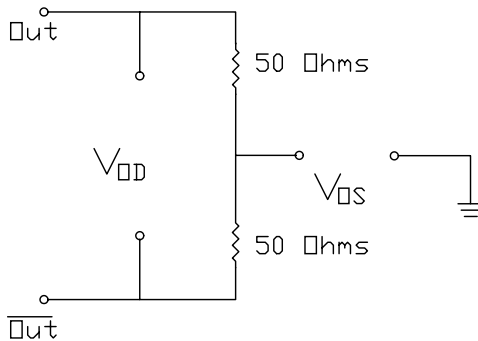


PIN	FUNCTION
1	N/C
2	OE
3	GND
4	LVDS +
5	LVDS -
6	Vdd

DIMENSIONS ARE IN MM

LEVELS TEST CIRCUIT

LVDS Levels Test Circuit



SWITCHING TEST CIRCUIT

LVDS Switching Test Circuit

