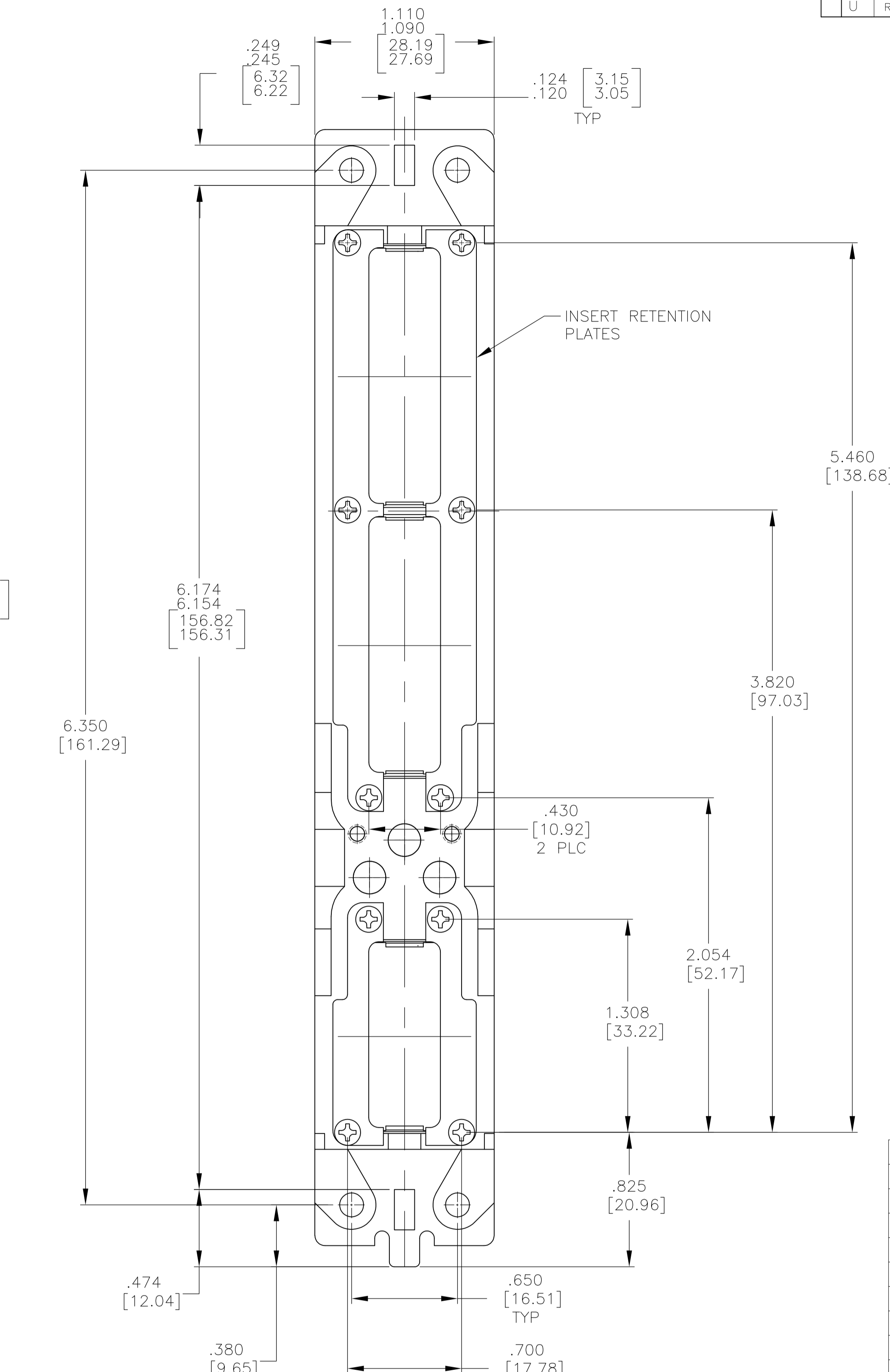
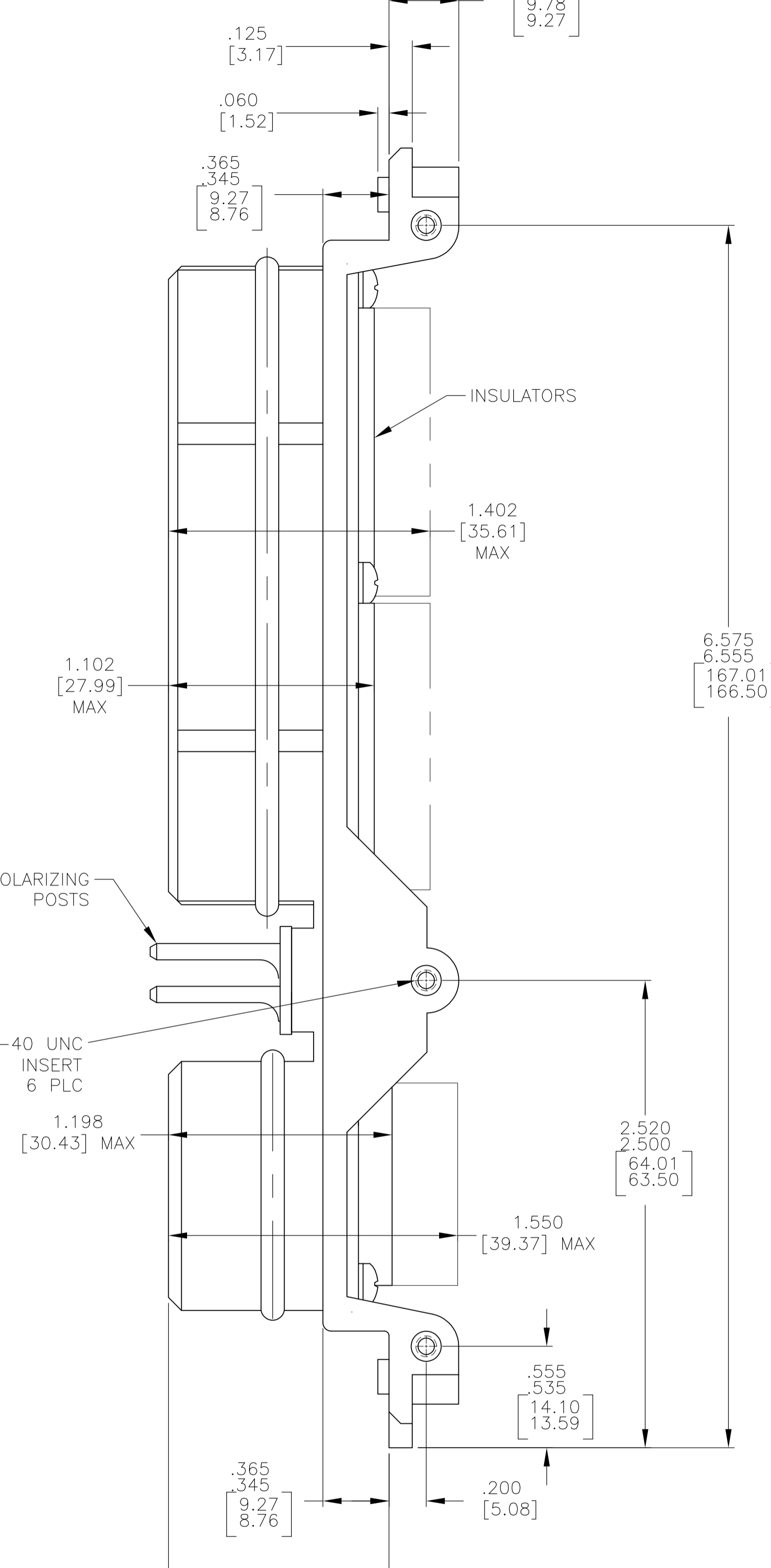
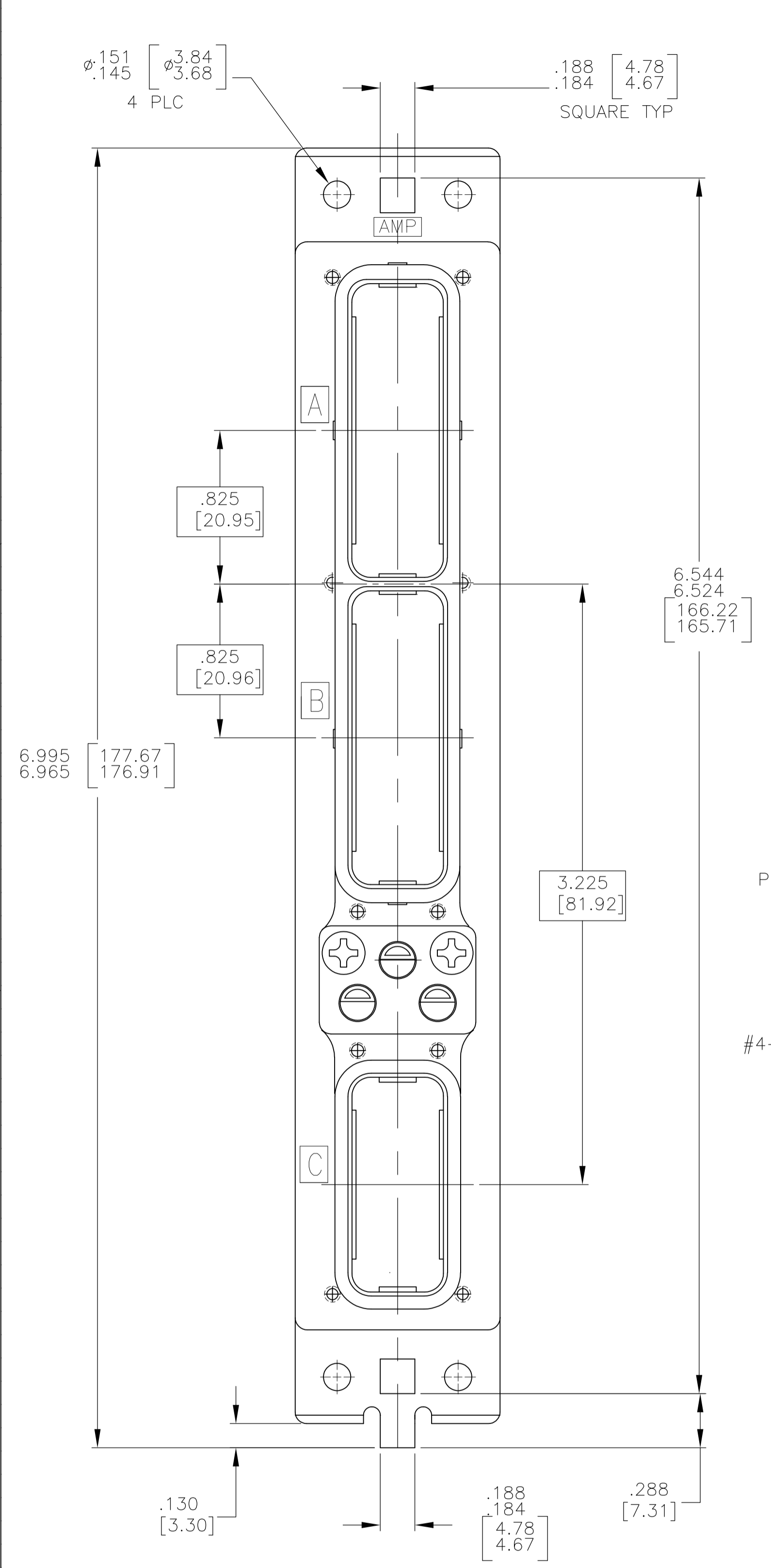


LOC		DIST		REVISIONS			
DF	AO	REV	PER	ECO	DESCRIPTION	DATE	BY
U	REV	PER	ECO	07-010140		02MAY07	KH



- CONNECTOR DIMENSIONS ARE PER ARINC 600 SPECIFICATION
 - KEYING SHOWN IN POSITION "01" FOR REFERENCE ONLY. CONNECTOR SHIPPED WITH KEYING PER ORDERING INSTRUCTIONS. FOR POSITION "00" KEYING SHIPPED UNASSEMBLED.
 - FOR SHIPMENT CONTACTS (IF ORDERED) ARE INCLUDED IN A CONTAINER WITHIN THE CONNECTOR PACKAGE. COAX CONTACTS ARE NOT SUPPLIED AND MUST BE ORDERED SEPARATELY.
- △4 SEE RESTRICTED CUSTOMER DRAWING 208598-7
 - △5 SPECIAL WITH INSERTS 60/OPEN/5C2, STANDARD MOUNTING, NO CONTACTS
 - △6 PRELIMINARY, NOT RELEASED FOR PRODUCTION
 - △7 FINISH OF SHELLS AND RETENTION PLATES IS ELECTROLESS NICKEL PER MIL-C-26074, CLASS 3 OR 4, GRADE B (5--2 ONLY)

DESCRIPTIVE NUMBER	PART NUMBER
△7	5-208598-2
NIC66F11C22AA0	△6 1-208598-6
NIC66F11C08CBO	△6 1-208598-5
NIC66F11C07CBO	△6 1-208598-4
△5	△6 1-208598-3
NIC66F11C00AA1	1-208598-2
SPECIAL	1-208598-1
SPECIAL	1-208598-0
SPECIAL	208598-9
SPECIAL	208598-8
△4	208598-7
SPECIAL	208598-6
SPECIAL	208598-5
NIC66F11B22AA1	208598-4
NIC66F11C01AA1	208598-3
NIC66F11B01AA1	208598-2
NIC66F11B01AA0	208598-1

COMPONENT	MATERIAL	FINISH
SHELL	DIE CAST ALUMINUM PER ASTM-B-85	△7 CHEMICAL COVERSION COATING PER MIL-C-5541, CLASS 1A
RETENTION PLATES	ALUMINUM ALLOY PER ASTM-B-209	△7 CHEMICAL COVERSION COATING PER MIL-C-5541, CLASS 1A
SCREWS AND LOCKWASHERS	STEEL OR STAINLESS STEEL	CHROMATE OVER ZINC OR PASSIVATED
POLARIZING POSTS	ZINC ALLOY PER ASTM-B-86	ELECTROLESS NICKEL PER MIL-C-26074, CLASS 4, GRADE B
INSERTS	THERMOSET	-
FILLER PLUG (IF ORDERED)	TEFLON	-
POLARIZING POST RETAINING PLATE	ALUMINUM ALLOY PER ASTM-B-209	BLUE ANODIZED PER MIL-A-8625

THIS DRAWING IS A CONTROLLED DOCUMENT.

DIMENSIONS: INCHES

TOLERANCES UNLESS OTHERWISE SPECIFIED:

0 PLC	± .005
1 PLC	± .005
2 PLC	± .005
3 PLC	± .005
4 PLC	± .005
ANGLES	± .030°

MATERIAL: SEE TABLE

FINISH: SEE TABLE

THIS DRAWING IS A CONTROLLED DOCUMENT.

DIN: C.C.THOMAS 11-20-04

CHK: 4-11-05

REV: R GROSS 4-11-05

NAME: PLUG ASSY, SIZE 1, SEALED CLASS B, PLUG, ARINC 600

APPLICATION SPEC: -

SIZE: A1

SCALE: 2:1

SHEET: 1 OF 1

REV: U