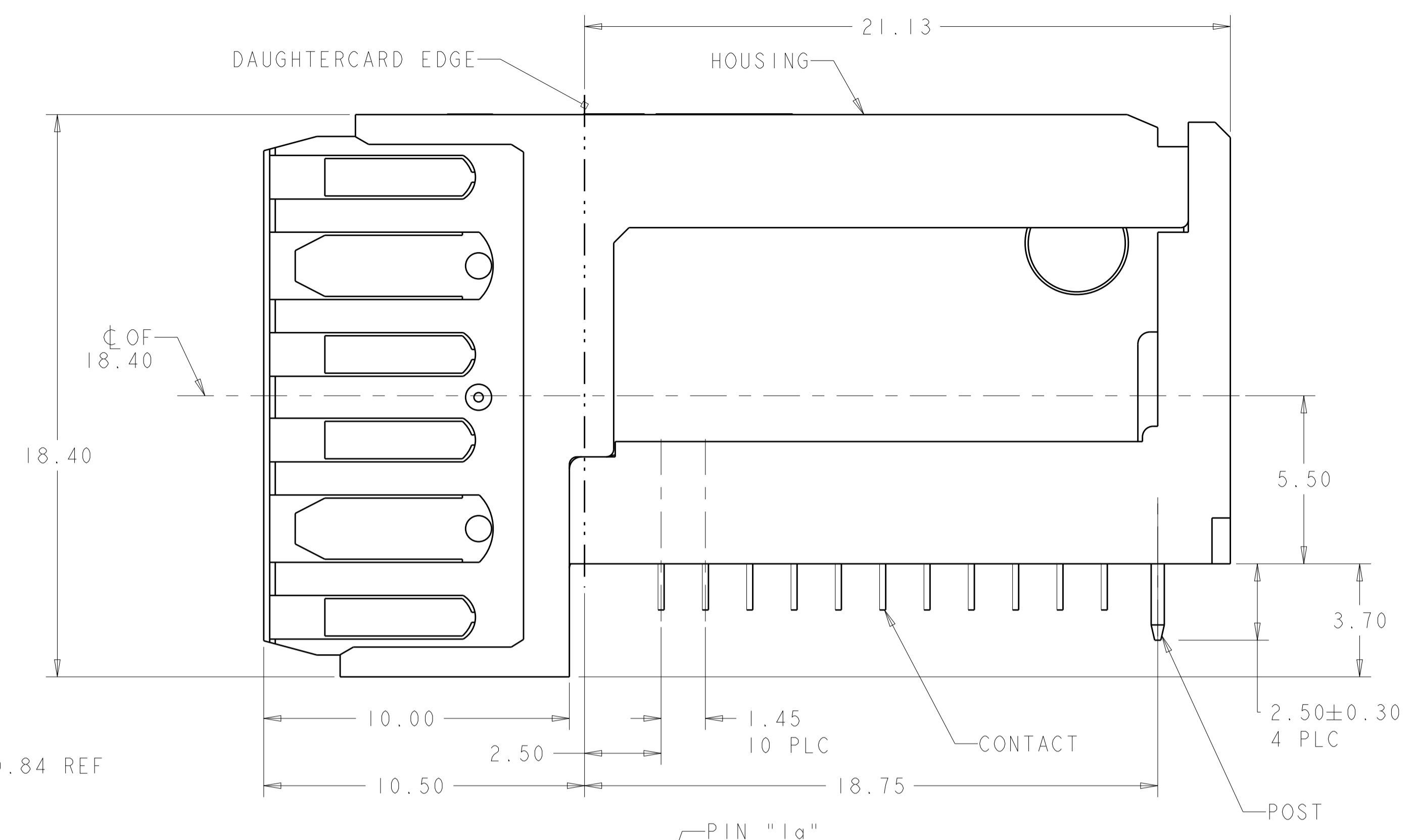
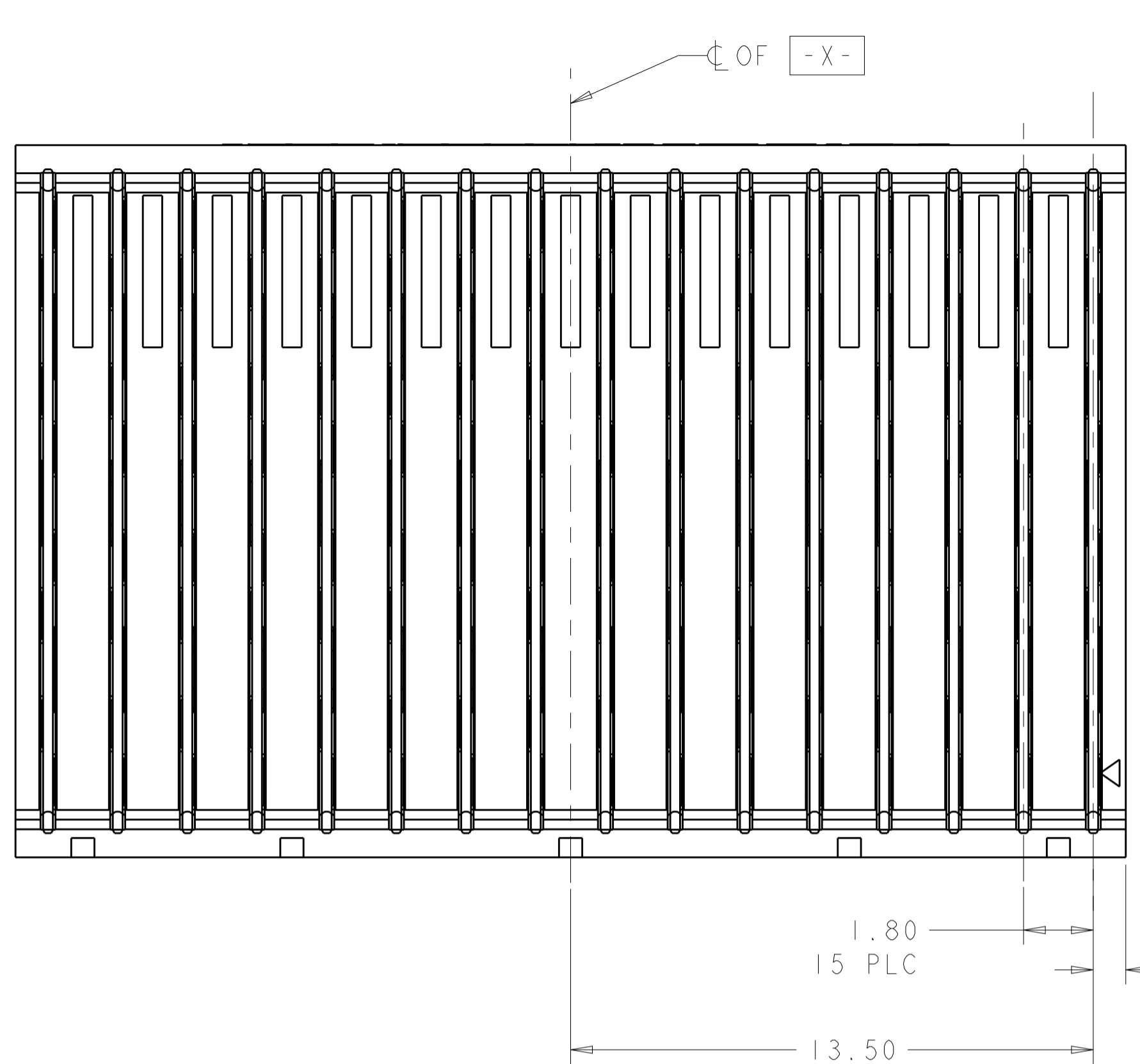
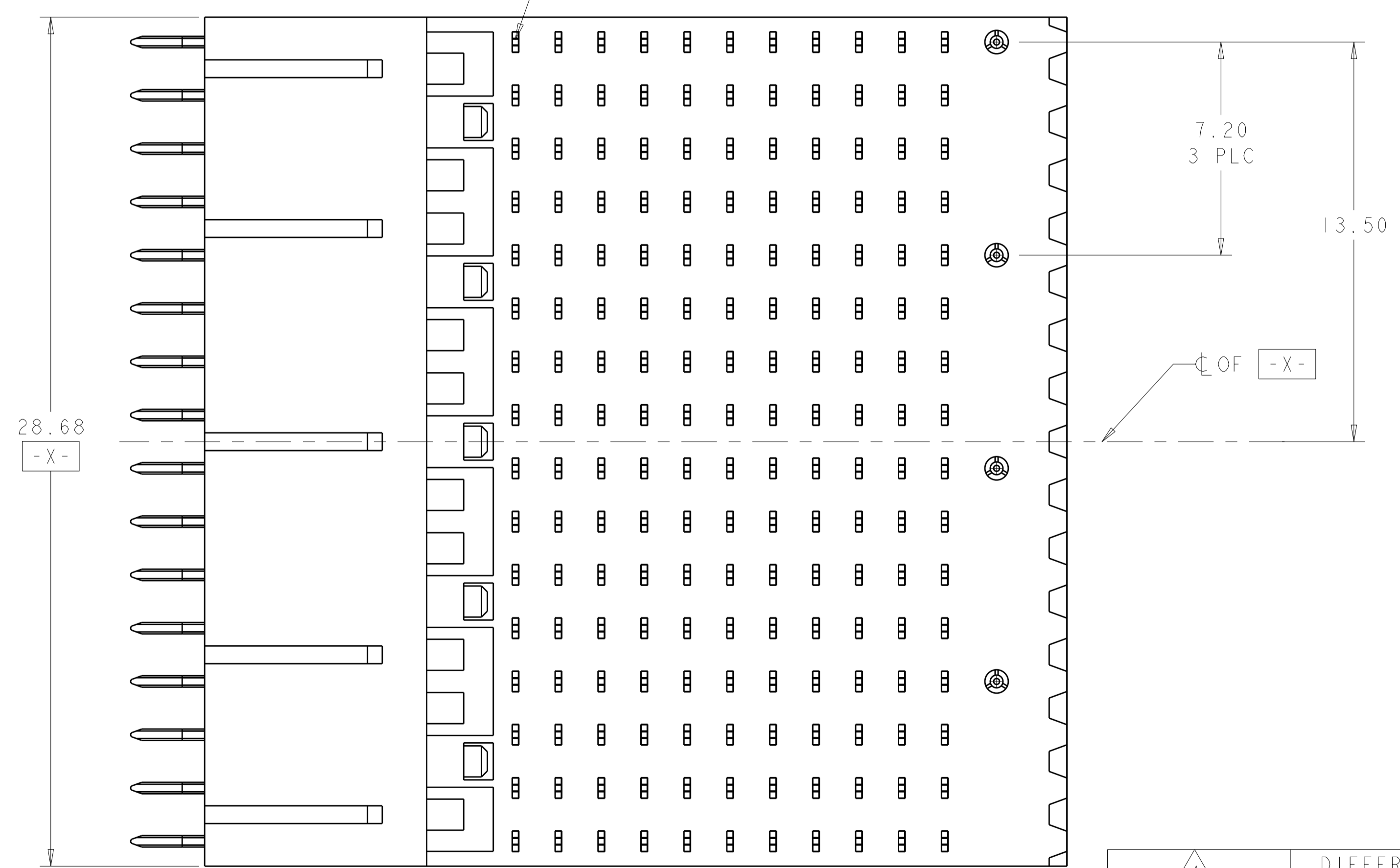
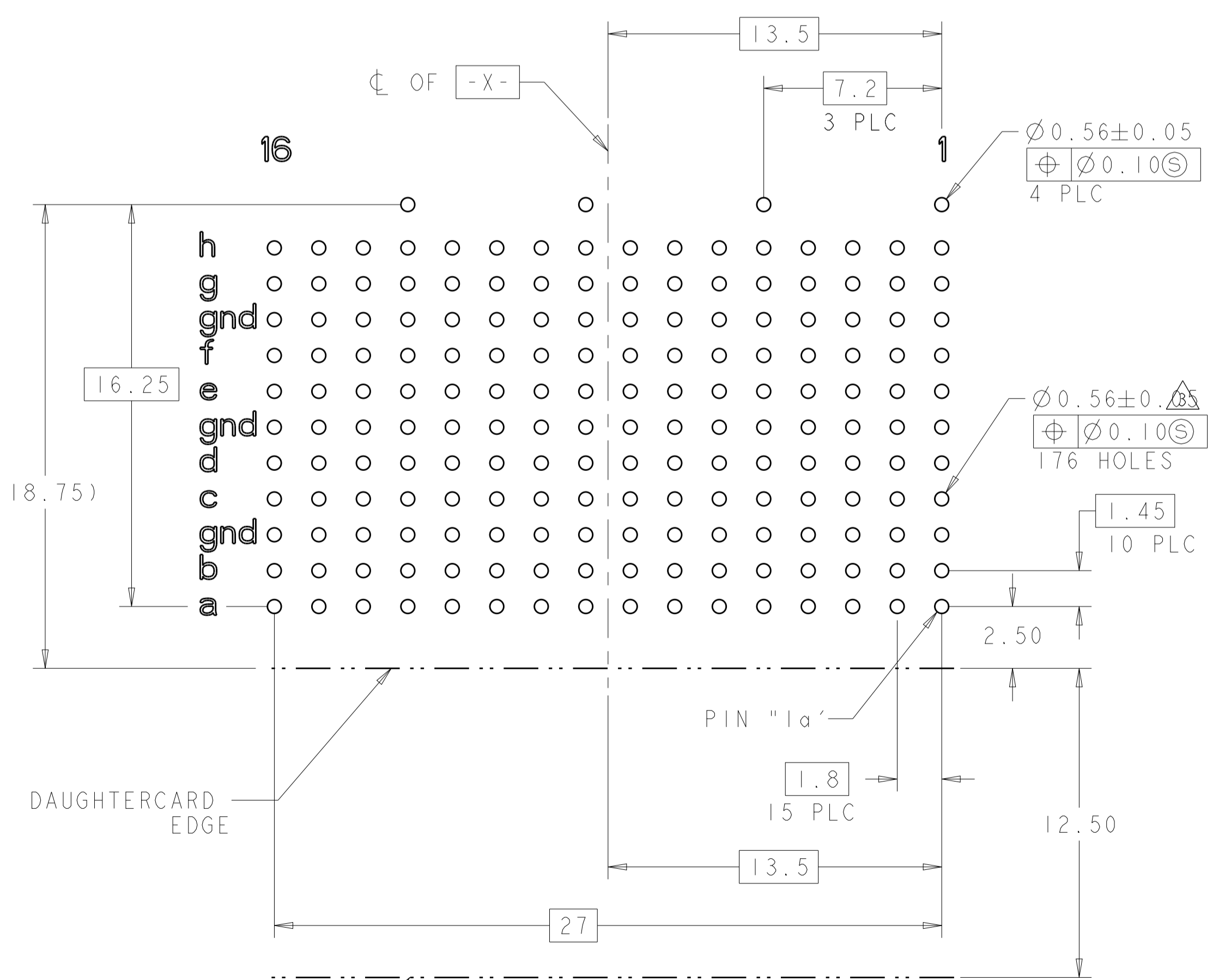


LOC	DIST	REVISIONS					
		P	LTH	DESCRIPTION	DATE	DWN	APVD
AD	00	A2		REVISED PER ECO-12-011861	28 JUN 2012	KH	AS



- 1 HOUSING: LCP, UL94V-0, BLACK.
CONTACT: PHOSPHOR BRONZE.
POST: BRASS WIRE.
- 2 CONTACT: 0.76 μm GOLD PER ASTM B 488 IN CONTACT AREA,
1.27 μm MIN TIN-LEAD
ON PCB TAIL,
OVER 1.27 μm MIN NICKEL PER
SAE AMS-QQ-N-290 OVER ALL.
POST: 1.27 μm MIN NICKEL.
- 3 PLATED THROUGH HOLE PER 114-13056,
FIGURE 4.
- 4 CONTACT: 0.76 μm GOLD PER ASTM B 488 IN CONTACT AREA,
1.27 μm MIN MATTE TIN PER ASTM B 545
ON PCB TAIL,
OVER 1.27 μm MIN NICKEL PER
SAE AMS-QQ-N-290 OVER ALL.
POST: 1.27 μm MIN NICKEL.



FINISH	DESCRIPTION	PART NUMBER
4	DIFFERENTIAL, NONSEQUENTIAL	1410205-4
4	SINGLE END, NONSEQUENTIAL	1410205-3
2	DIFFERENTIAL, NONSEQUENTIAL	1410205-2
2	SINGLE END, NONSEQUENTIAL	1410205-1

PC BOARD LAYOUT (CONNECTOR SIDE) SCALE 6:1

THIS DRAWING IS A CONTROLLED DOCUMENT.

DIMENSIONS: mm

TOLERANCES UNLESS OTHERWISE SPECIFIED:

0 PLC	±
1 PLC	±0.13
2 PLC	±0.013
3 PLC	±
4 PLC	±
ANGLES	±

MATERIAL:

FINISH:

THIS DRAWING IS A CONTROLLED DOCUMENT. DWN: F. MORANA 04OCT2001. CHK: D. DEIBLAUGH 23OCT2001. APVD: F. P. MORANA 23OCT2001.

NAME: RIGHT ANGLE, PLUG ASSEMBLY CENTER, FULL, 20.3mm, MultiGig RT 1, DAUGHTERCARD CONNECTOR

SIZE: A1. CAGE CODE: 1410205. DRAWING NO: 114-13056. WEIGHT: -. CUSTOMER DRAWING.

SCALE: 8:1. SHEET: 1 OF 1. REV: A2.