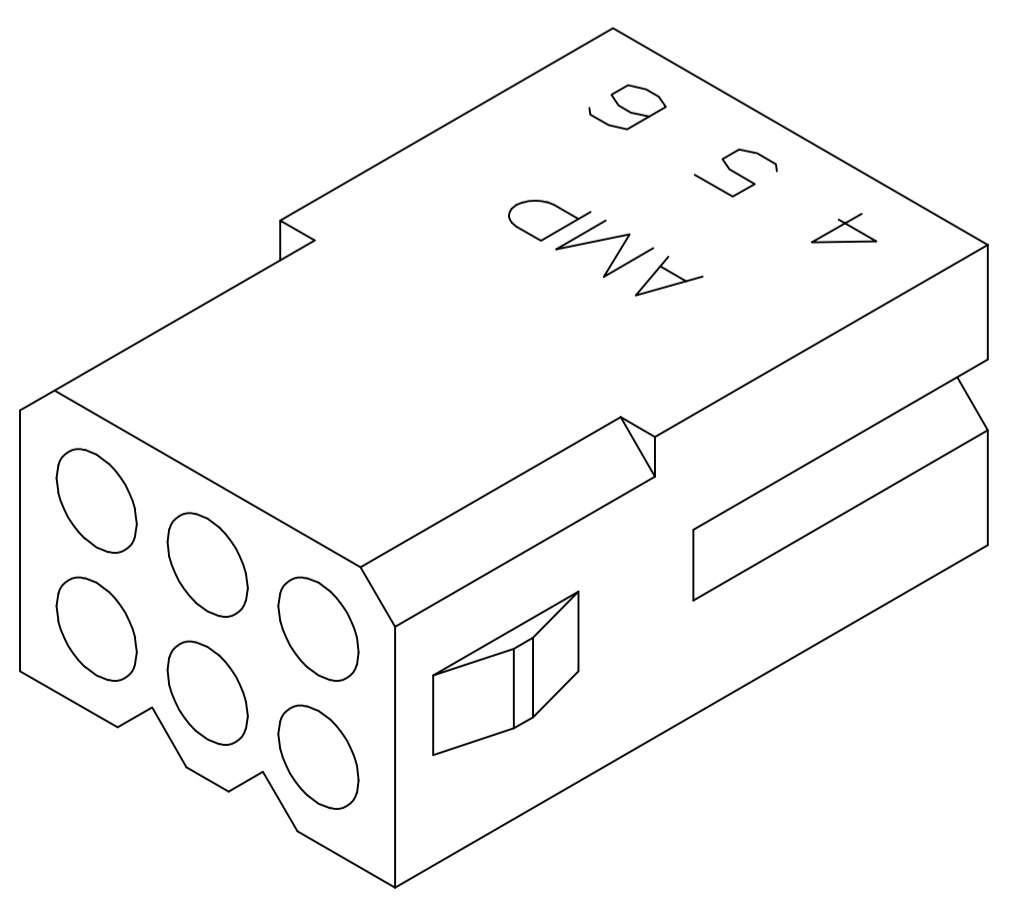
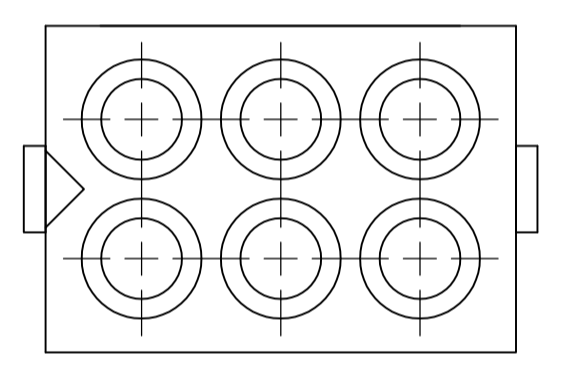
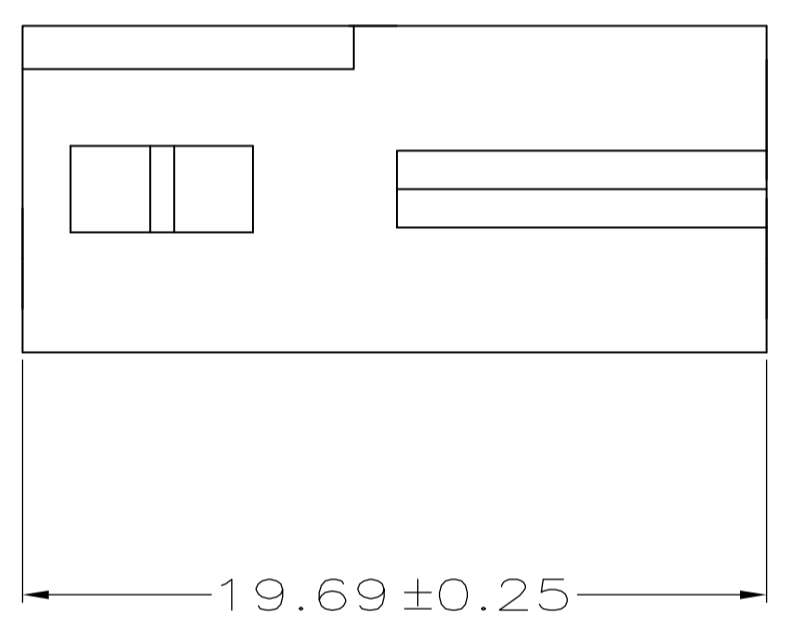
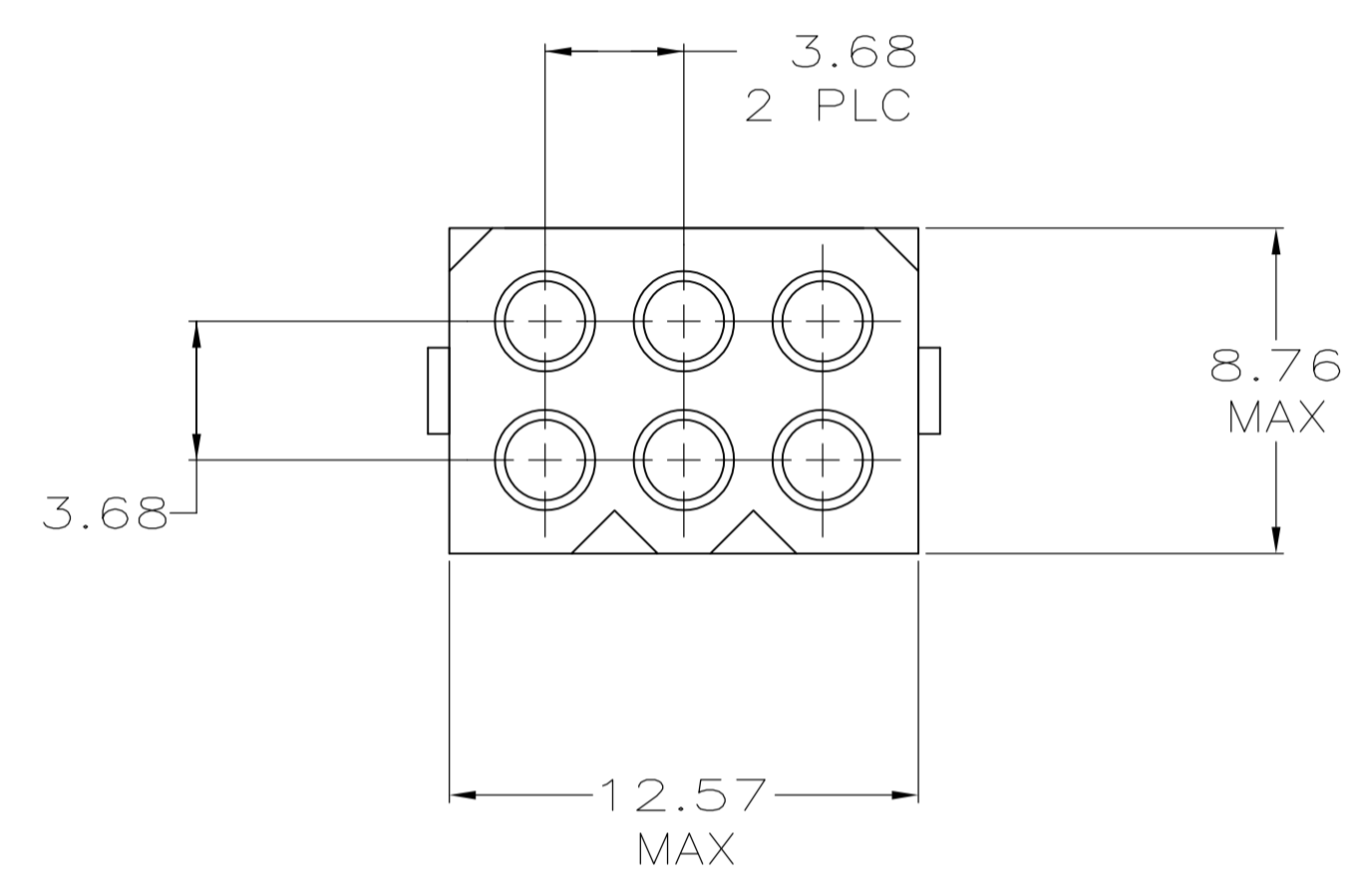
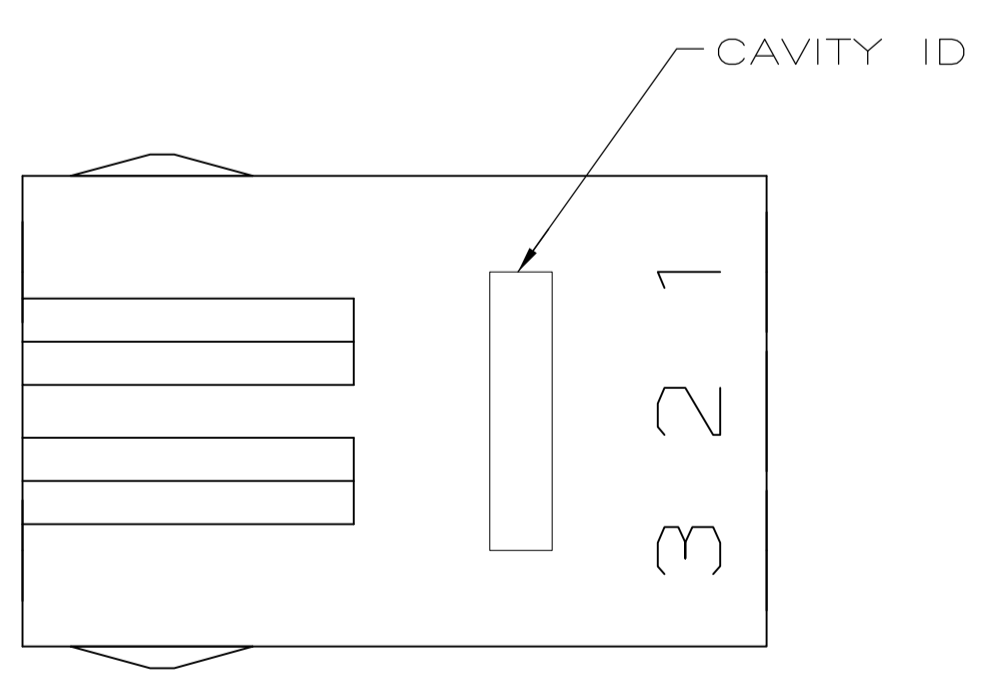


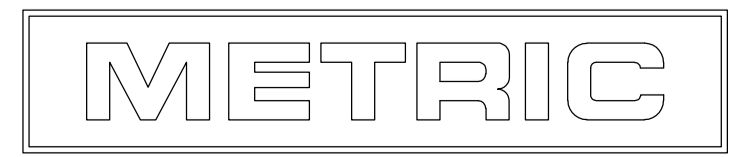
⚠ PRELIMINARY - NOT FOR PRODUCTION.



3-DIMENSIONAL MODEL
NTS



19.69	.775
12.57	.495
8.76	.345
3.68	.145
1.58	.062
0.25	.010
0.13	.005
MM	IN
CONVERSION TABLE	



THIS DRAWING IS A CONTROLLED DOCUMENT.		DIN	10-02-96
DIMENSIONS: mm		K. WHITAKER	10-02-96
TOLERANCES UNLESS OTHERWISE SPECIFIED:		R. SWING	10-02-96
0. PLC	± -	C. CASH	10-09-96
1. PLC	± -	APVO	
2. PLC	± 0.13	C. CASH	
3. PLC	± -	R. SWING	
4. PLC	± -	C. CASH	
ANGLES	± -	R. SWING	
MATERIAL	SEE TABLE	FINISH	-

VO NYLON, NATURAL		770356-2
V2 NYLON, NATURAL		770356-1
PART NUMBER		PART NUMBER
Tyco Electronics Corporation Harrisburg, PA 17105-3608		
RECEPTACLE, 6 CIRCUIT, .062 PIN AND SOCKET		
SIZE	A1	00779
CAGE CODE	C=	770356
DRAWING NO	770356	
RESTRICTED TO	-	
CUSTOMER DRAWING	SCALE	5:1
SHEET	1	OF 1
REV	C1	