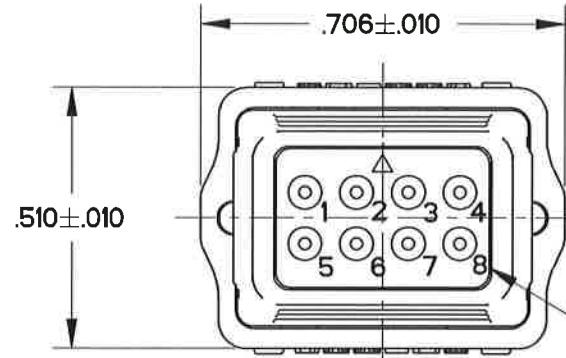


SQR822100

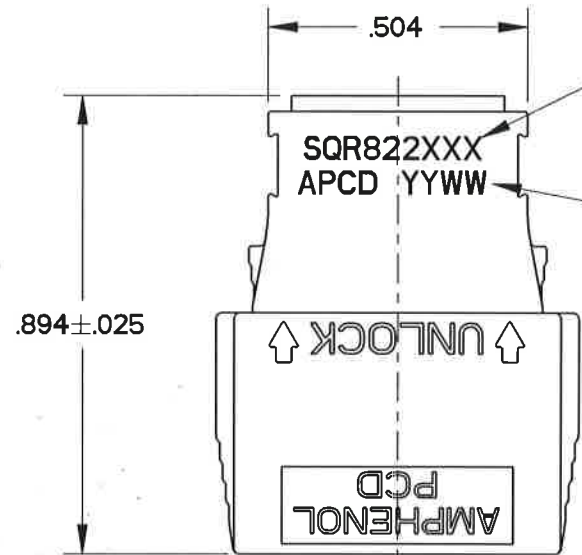
TABLE I - PART NUMBER SCHEME

APCD P/N	CONTACTS SUPPLIED	COLOR / KEY	P/N MARKING	PART MATES WITH	COUPLING NUT COLOR
SQR822121	(8) M39029/58-360	WHITE / C	SQR822120	SQR822270 SQR822570	BLUE
SQR822120	NONE				
SQR822111	(8) M39029/58-360	GREEN / B	SQR822110	SQR822260 SQR822560	
SQR822110	NONE				
SQR822101	(8) M39029/58-360	BLACK / A	SQR822100	SQR822250 SQR822550	
SQR822100	NONE				

REV	ECN	APP'D
-	7845	JT 12/28/16

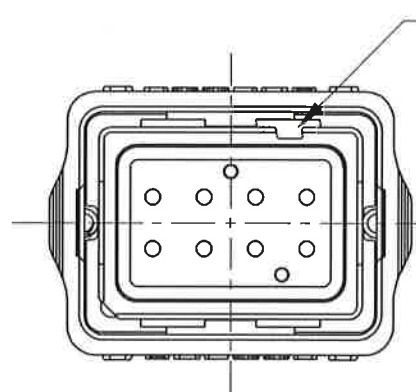
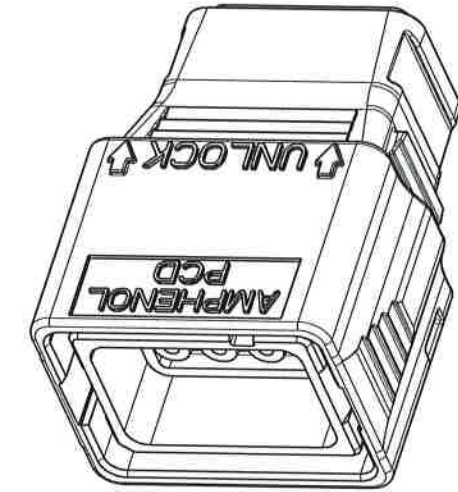
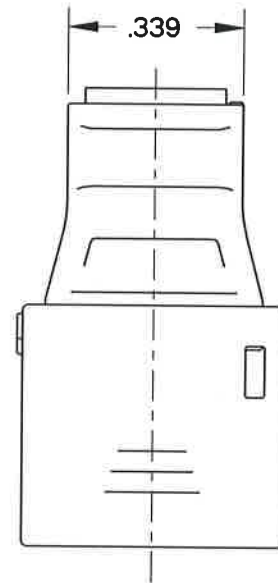


GROMMET MARKING
COLOR: CONTRASTING

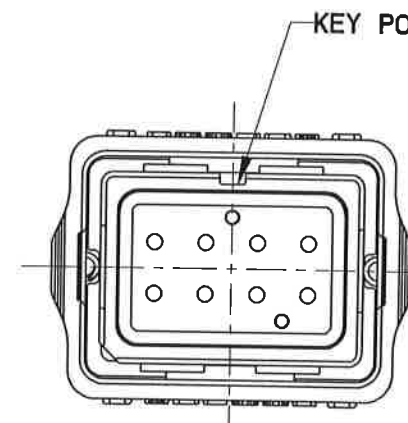


P/N MARKING
SEE TABLE I
COLOR: CONTRASTING

DATE CODE

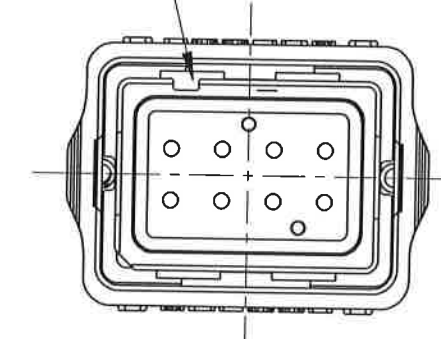


KEY POSITION



KEY POSITION

KEY B: SQR822110



KEY POSITION

KEY C: SQR822120

NOTES:

KEY A: SQR822100

- MATERIALS:
 OUTER HOUSING: POLYETHERIMIDE
 INNER HOUSING: POLYETHERIMIDE
 CONTACT RETAINER: STAINLESS STEEL
 COUPLING NUT: PA6/6
 COMPRESSION SPRING: STAINLESS STEEL
 GROMMET & FACE SEAL: SILICONE RUBBER PER A-A-59588
- PART ACCEPTS M39029/58-360 CONTACTS
- WEIGHT: 3.5g

DIMENSIONS ANSI Y14.5M UNITS: INCHES Pro/E FILE	TOLERANCES .XX ±0.01 .XXX ±0.005 ANGLES ±2.0°	PROJECTION 	Amphenol Pcd SPECIFICATION DRAWING		TITLE 8 POS SIZE 22 PLUG WITH PIN CONTACTS SQR SIZE 2		
			ENGR TONY.CHEN Apr-06-16	CHKD <i>[Signature]</i> 12/28/16	SIZE B	DWG NO. SQR822100	REV -
ORIGINAL	THIS DOCUMENT CONTAINS PROPRIETARY INFORMATION WHICH IS THE CONFIDENTIAL PROPERTY OF AMPHENOL PCD INC., BEVERLY, MA		APPD <i>[Signature]</i> 12/28/16	CODE: 58982	SCALE: 8:3	SHEET 1 OF 1	

SQR822100

SQR822100