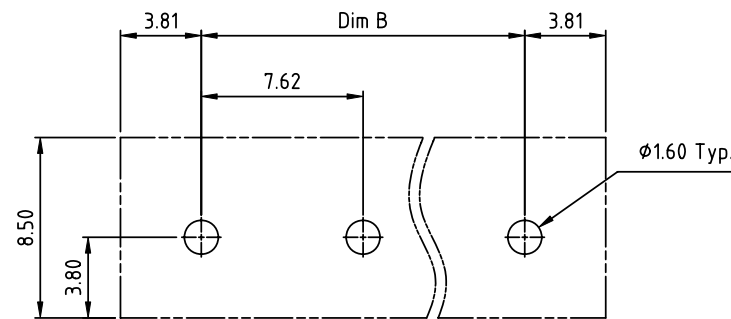
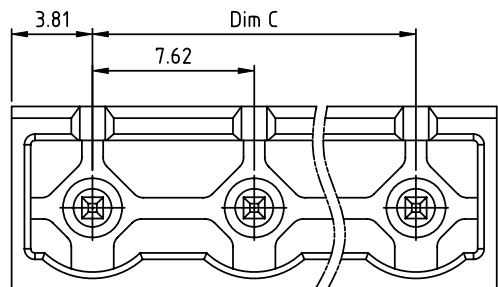
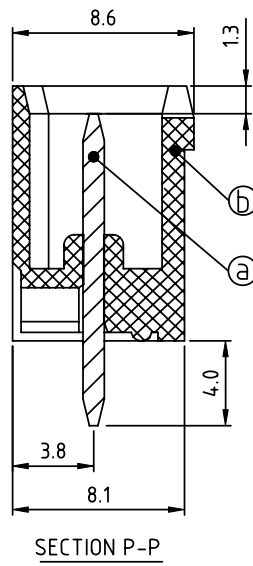
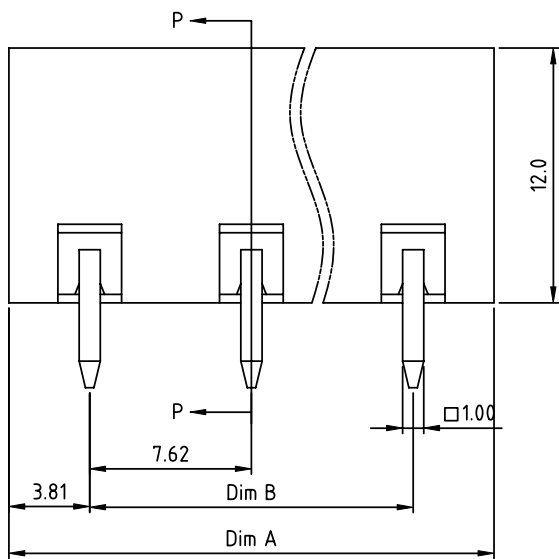




PRODUCT NUMBER	PITCH
OQxx01x000J0G	7.62 mm



RECOMMENDED P.C.B LAYOUT
TOP VIEW



Material:

- Item ③ Male contact pin : Copper Tin plated
- Item ④ Terminal housing: Thermoplastic (UL94V-0)

- Electrical: cULus TUV
- Voltage rating: 300V 750V
 - Current rating: 20A 15A
 - Withstanding Voltage: 1.6 KV 6KV
 - Operating temperature: -40°C to +115°C
 - Soldering temperature: 260°C±5°C/5 Sec
 - Safety Approval:

DIMENSION

Dim A	NX7.62
Dim B&C	(N-1)X7.62

N= Number of poles

Poles	Tolerance
2P-6P	±0.20
7P-12P	±0.30
13P-16P	±0.40

PART NO.: OQ xx 0 1 x 0 00J0 G

No. of poles	Body Color	RoHS compliant
02 2 poles	0 Black (RAL9005)	(lead<4%)
03 3 poles	2 Red (RAL3001/D)	In copper Alloy
...	3 Orange(RAL2011/P)	
...	4 Yellow(RAL1018/A)	
16 16 poles	5 Green(RAL6018/T)	
	6 Blue (RAL5015/A)	
	8 Grey(RAL7035/D)	
	9 White(RAL1102)	
	C Green(RAL6018/U)	

mat'l. code		surface ASME Y14.5	tolerance ASME Y14.5	projection 	product family TERMINAL BLOCK
ltr	ecn no	dr	date	tolerances unless otherwise specified	title
				angles X°±1°	TERMINAL BLOCK
				MM	PLUGGABLE SOCKET,CLOSE,VERTICAL
				scale	dwg no
				dr HANKE FENG 040414	sheet 1 of 1 size
				enr HANKE FENG 040414	OQxx01x000J0G A4
				chr SHI JUN 040414	
				appd SHI JUN 040414	type CUSTOMER Drawing
sheet index	revision sheet	A	1		