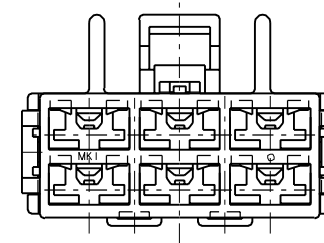
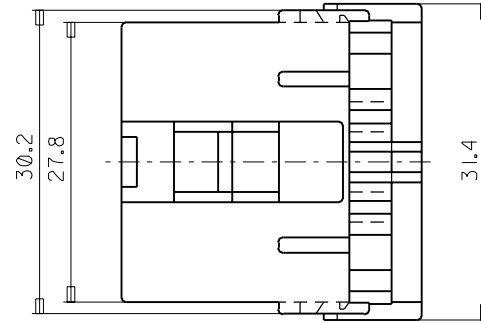
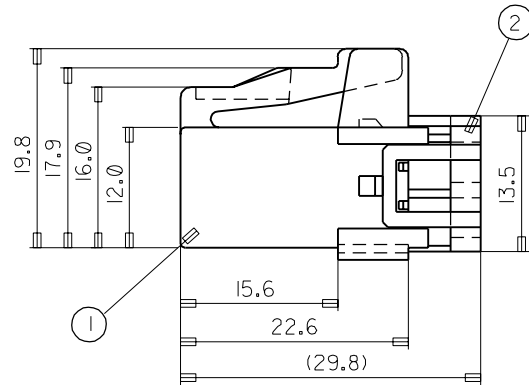
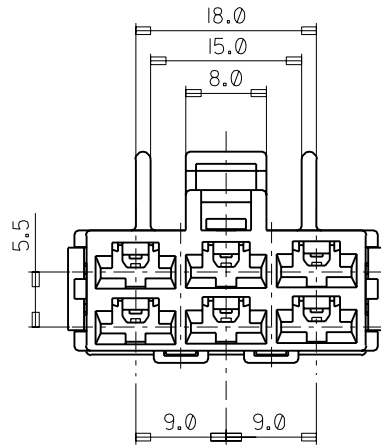


PROJECT NO. SIMILAR ITEM EDP NO. ENG. NO. SD 35270-0610

8 7 6 5 4 3 2 1



	P/NO.	PART NAME	MATERIAL
①	35270-0690	POWERMATE FEMALE HS'G 6P	PBT
②	35271-0680	POWERMATE FEMALE TPA 6P	PBT

\* APPLICABLE TERMINAL : 35427-97\*\*,98\*\*,99\*\*  
35430-1700,1800,1900

			MATERIAL SEE TABLE		MOLEX-KOREA CO.,LTD.	
			GENERAL TOLERANCE		DRAWN BY	
			DIMENSION : *0.20		961112 J.K.OH	
			ANGLE :		CHK'D BY	
			DIMENSION CLASSIFICATION		APP'D BY	
			▽ : CRITICAL ▼ : MAJOR		SCALE 2 : 1	
			( ) : REFERENCE		TITLE :	
A	NEW RELEASE	971114	ASS'Y PART		POWERMATE FEMALE ASSY	
LTR	REVISION RECORD	ECN DATE	DESCRIPTION		-6P	
REVISE ONLY ON CAD SYSTEM					ENG. NO.	
					SD 35270-0610	
					SHEET	
					1/1	
					REV	
					A	