

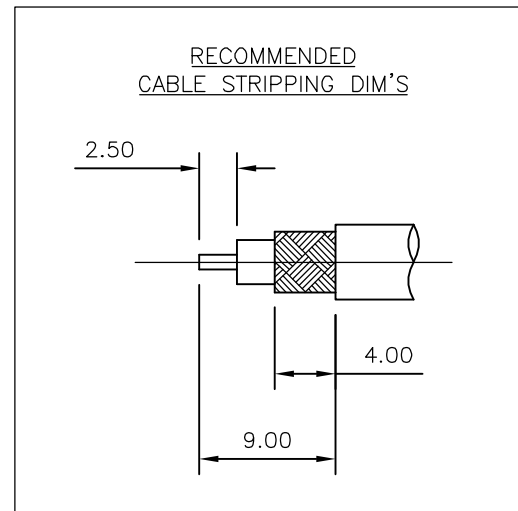
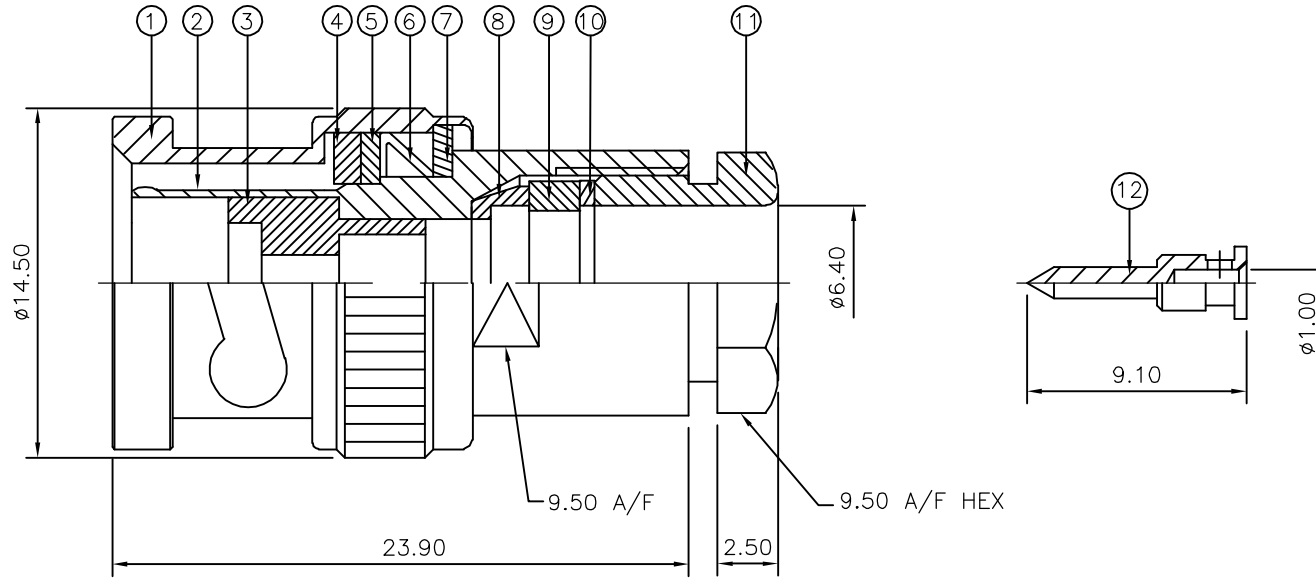
THIS DRAWING IS UNPUBLISHED. RELEASED FOR PUBLICATION NOV ,2005.

© COPYRIGHT 2005 BY TYCO ELECTRONICS CORPORATION. ALL RIGHTS RESERVED.

LOC	DIST	REVISIONS					
E	B	P	LTR	DESCRIPTION	DATE	DWN	APVD
		C		ECR-05-015880	18NOV05	JMS	FWK

NOTES:

- ① PACK IN ACCORDANCE WITH AMP SPEC 107-3275
  - ② 100 TRAY PACK IN ACCORDANCE WITH AMP SPEC 107-3275
  - ③ Ag PLATING OVER Cu PLATING
  - ④ THIS ITEM MUST BE WHITE
- 5 ELECTRICAL CHARACTERISTICS
- |                               |                            |
|-------------------------------|----------------------------|
| FREQUENCY RANGE:              | DC - 2 GHz                 |
| NOMINAL IMPEDANCE:            | 75 Ohm                     |
| INSULATION RESISTANCE:        | 5000 MOhm                  |
| WORKING VOLTAGE:              | 500 Volts RMS at Sea Level |
| DIELECTRIC WITHSTAND VOLTAGE: | 1500 Volts RMS Max         |
| CONTACT RESISTANCE:           |                            |
| CENTRE CONTACT:               | 1.50 mOhm Max              |
| OUTER CONTACT:                | 0.20 mOhm Max              |
| VSWR @ 2GHz:                  | 1.20:1 Max                 |
| INSERTION LOSS dB @ x 2 GHz:  | 0.20 Max                   |
- 6 MECHANICAL CHARACTERISTICS
- |                               |                |
|-------------------------------|----------------|
| COUPLING RETENTION FORCE:     | 445N Min       |
| CABLE RETENTION FORCE:        | 170N Min       |
| CLAMP NUT RECOMMENDED TORQUE: | 4N             |
| DURABILITY:                   | 500 Cycles Min |
- 7 ENVIRONMENTAL CHARACTERISTICS
- |                        |                  |
|------------------------|------------------|
| OPERATING TEMPERATURE: | -65 to +165 DegC |
|------------------------|------------------|



QTY	ASSEMBLY	MATERIAL	DESCRIPTION	ITEM
1	1	BRASS	CONTACT	12
1	1	BRASS	CLAMP NUT	11
1	1	BRASS	WASHER	10
1	1	SILICON RUBBER	GASKET	9
1	1	BRASS	SLEEVE	8
1	1	BRASS	WASHER	7
1	1	SPRING STEEL	SPRING	6
1	1	BRASS	WASHER	5
1	1	SILICON RUBBER	GASKET	4
1	1	PTFE	INSULATION	3
1	1	BRASS	BODY	2
1	1	BRASS	SHELL	1
6--0	1--0		MATERIAL	DESCRIPTION
				ITEM

QUANTITY PER ASSY		PARTS LIST	
DWN J.SANDWELL 18NOV05		Tyco Electronics Corporation	
CHK S.PARLOW 18NOV05		Bideford EX39 4HE	
APVD F.WHEELER-KING 18NOV05		NAME	
PRODUCT SPEC 108-3435		BNC STRAIGHT PLUG SOLDER 75 OHM RG59B/U, 62A/U, 140/U, 210/U, URM90, PSF1/3M, TM3304, KX6A, KX25, KX52, KX53	
APPLICATION SPEC 411-3252		SIZE	RESTRICTED TO
WEIGHT -		A3	-
CUSTOMER DRAWING		CAGE CODE 00779	DRAWING NO 1337422
SCALE NTS		SHEET 1 OF 1	REV C

THIS DRAWING IS A CONTROLLED DOCUMENT.	
DIMENSIONS: mm	TOLERANCES UNLESS OTHERWISE SPECIFIED:
	0 PLC ± -
	1 PLC ± -
	2 PLC ± -
	3 PLC ± -
	4 PLC ± -
	ANGLES ± -
MATERIAL SEE TABLE	FINISH -