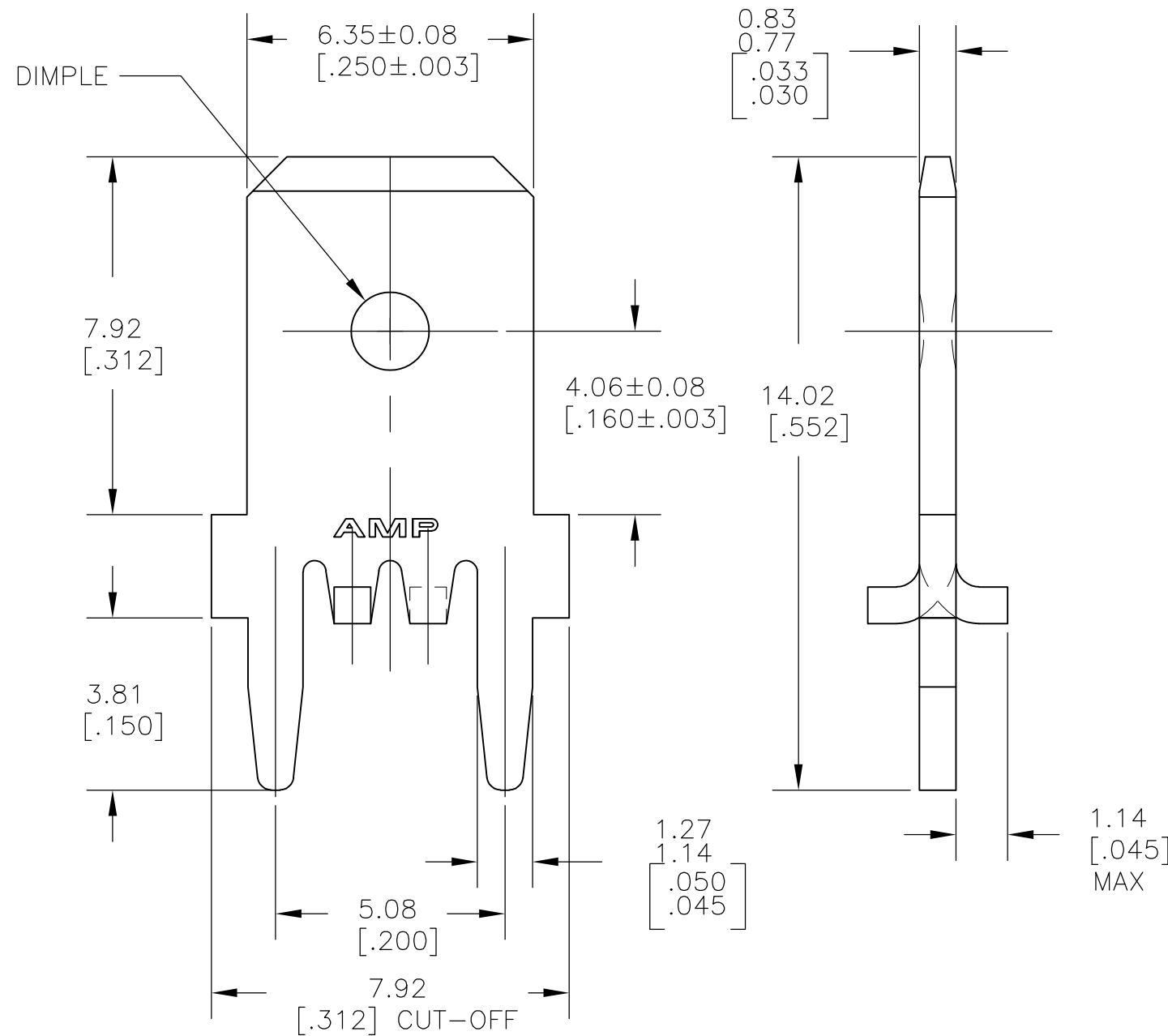
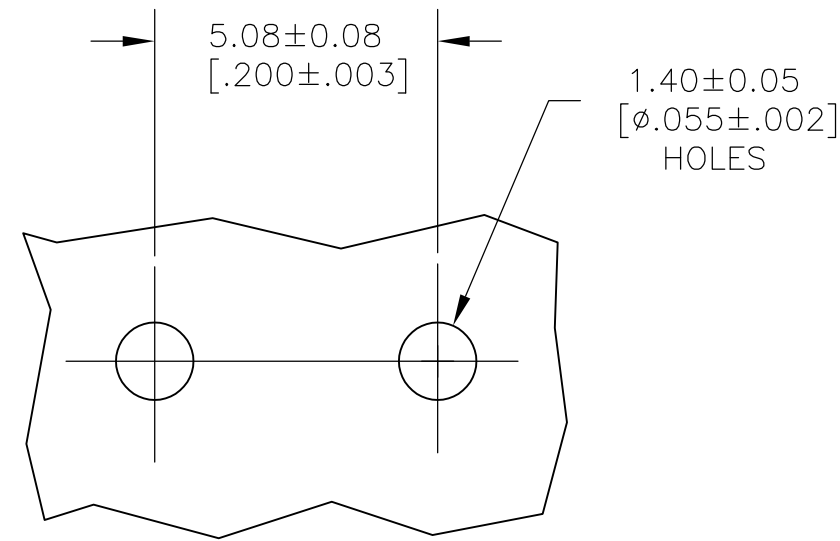


THIS DRAWING IS UNPUBLISHED. RELEASED FOR PUBLICATION
 © COPYRIGHT - By - ALL RIGHTS RESERVED.

LOC	DIST	REVISIONS				
P	LTR	DESCRIPTION	DATE	DWN	APVD	
AF	50	G3	REVISED PER ECO-11-005027	11MAR11	RK HMR	



- 1 CONTINUOUS STRIP ON REELS.
- 2 TIN PLATE 0.00381 [.000150] MIN OVER 0.00127 [.000050] MIN THK NICKEL.



P.C. BOARD HOLE PATTERN

63862-1
PART NO.

THIS DRAWING IS A CONTROLLED DOCUMENT.		DWN JR RUTH 20FEB01	TE Connectivity NAME TAB, FASTON, P.C.BOARD 6.35 [.250]			
DIMENSIONS: mm[INCHES]		CHK MS FEHER 20FEB01				
TOLERANCES UNLESS OTHERWISE SPECIFIED:		APVD N DEIBERT 20FEB01				
0 PLC ± - 1 PLC ± - 2 PLC ± 0.25 [.010] 3 PLC ± - 4 PLC ± - ANGLES ± -		PRODUCT SPEC -				
MATERIAL 082 BRASS	FINISH	APPLICATION SPEC 114-2115	SIZE A3	CAGE CODE 00779	DRAWING NO C-63862	RESTRICTED TO -
CUSTOMER DRAWING			SCALE 8:1	SHEET 1 of 1	REV G3	