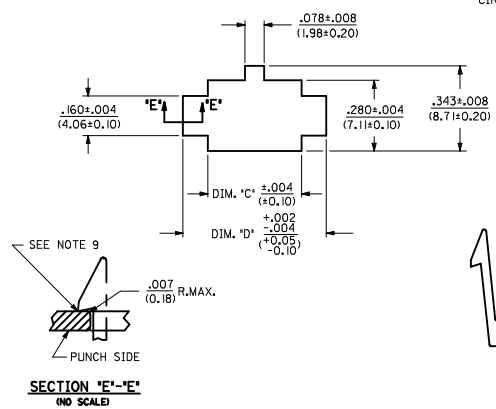
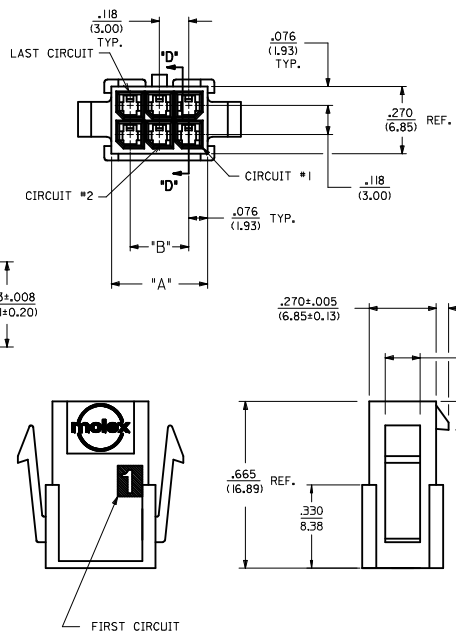


ASSEMBLY ITEM NUMBER	PART CHARACTERISTICS	
	NUMBER OF POSITION	PANEL MOUNT OPTION
43020-0208	2	YES
43020-0209	2	NO
43020-0408	4	YES
43020-0409	4	NO
43020-0608	6	YES
43020-0609	6	NO
43020-0808	8	YES
43020-0809	8	NO
43020-1008	10	YES
43020-1009	10	NO
43020-1208	12	YES
43020-1209	12	NO
	14	YES
	14	NO
	16	YES
	16	NO
	18	YES
	18	NO
	20	YES
	20	NO
	22	YES
	22	NO
	24	YES
	24	NO

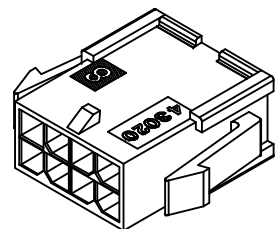
CKT. NO.	DIM. 'A'	DIM. 'B'	DIM. 'C'	DIM. 'D'
2	.152/(3.86)	N/A	.166/(4.21)	.311/(7.90)
4	.270/(6.85)	.118/(3.00)	.284/(7.21)	.429/(10.90)
6	.388/(9.85)	.236/(6.00)	.402/(10.21)	.547/(13.89)
8	.506/(12.85)	.354/(9.00)	.520/(13.21)	.665/(16.89)
10	.624/(15.85)	.472/(12.00)	.638/(16.21)	.783/(19.89)
12	.742/(18.85)	.591/(15.00)	.756/(19.21)	.901/(22.89)
14	.860/(21.85)	.709/(18.00)	.874/(22.20)	1.019/(25.88)
16	.978/(24.85)	.827/(21.00)	.992/(25.20)	1.137/(28.88)
18	1.096/(27.85)	.945/(24.00)	1.110/(28.20)	1.255/(31.88)
20	1.215/(30.85)	1.063/(27.00)	1.229/(31.22)	1.373/(34.87)
22	1.333/(33.85)	1.181/(30.00)	1.347/(34.22)	1.491/(37.87)
24	1.451/(36.85)	1.299/(33.00)	1.465/(37.22)	1.609/(40.87)



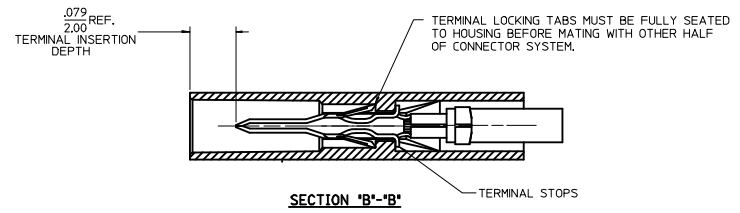
RECOMMENDED PANEL CUT-OUT
(SEE NOTES 7 & 9)



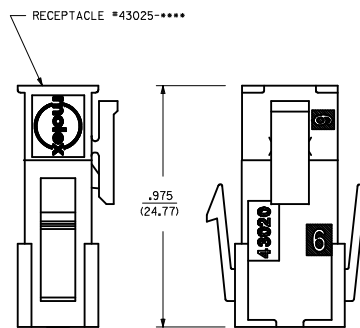
- NOTES:
- 1) HOUSING MATERIAL: UNFILLED NYLON, UL 94V-0, COLOR - BLACK (LOW HALOGEN)
 - 2) FINISH: N/A
 - 3) PRODUCT SPECIFICATION: PS-43045
 - 4) PACKAGING SPECIFICATION: PK-43020-001
 - 5) THIS HOUSING MATES WITH MICRO-FIT RECEPTACLE #43025-****
 - 6) THIS HOUSING TO BE USED WITH MOLEX MALE TERMINAL #43031-****
 - 7) DESIGNED FOR .055/(1.4) MINIMUM TO A .100/(2.54) MAXIMUM THICK PANEL OR PRINTED CIRCUIT BOARD.
 - 8) SEE SECTION 'D'-'D' FOR TERMINAL ORIENTATION IN HOUSING.
 - 9) PANEL MOUNT FEATURES MUST LOCK ON SIDE OPPOSITE PUNCH SIDE FOR OPTIMUM RETENTION.
 - 10) THIS PART CONFORMS TO CLASS 'B' REQUIREMENTS OF COSMETIC SPECIFICATION PS-43499-002, EXCEPT 2 AND 4 CIRCUIT PARTS CONFORM TO CLASS 'C' SURFACE REQUIREMENTS.



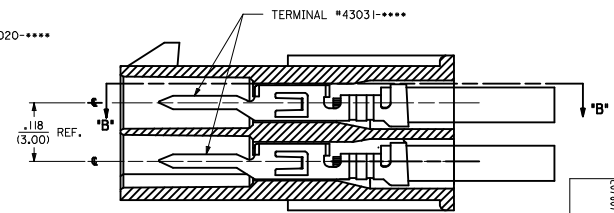
PLUG WITH OPTIONAL PANEL MOUNTS
ISO VIEW
(8 CIRCUIT SHOWN)



SECTION 'B'-'B'



MATED MICRO-FIT CONNECTOR



SECTION 'D'-'D'
WITH TERMINAL
SCALE: 80

REVISED NOTE 1 IEC NO: UCP2017-0297 DRAWN: OULLES 2016/08/03 CHECKED: SSOUSEK 2016/08/03 APPROVED: FSMITH 2016/08/25	QUALITY SYMBOLS	GENERAL TOLERANCES (UNLESS SPECIFIED)	DIMENSION STYLE	SCALE	DESIGN UNITS	THIRD ANGLE PROJECTION
	▽=0	mm INCH	IN/MM	METRIC		
	▽=0	4 PLACES ±.010				
	▽=0	3 PLACES ±.025				
		ANGULAR ±1/2°				
		DRAFT WHERE APPLICABLE MUST REMAIN WITHIN DIMENSIONS				
		MATERIAL NO.	SEE CHART			
		SIZE	D			
		TITLE	MICRO-FIT(3,0) PLUG WITH OPTIONAL PANEL MOUNTS LOW HALOGEN			
		DATE	2008/01/18			
		DATE	2008/01/21			
		DATE	2016/08/25			
		DOCUMENT NO.	SD-43020-001			
		SHEET NO.	1 OF 1			