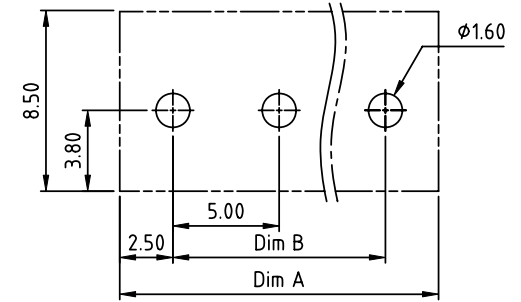
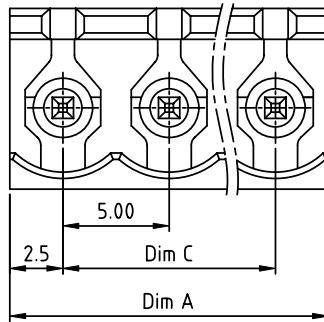
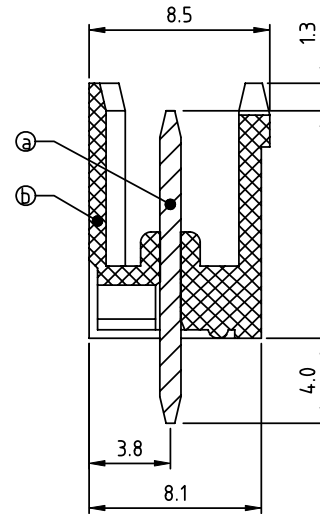
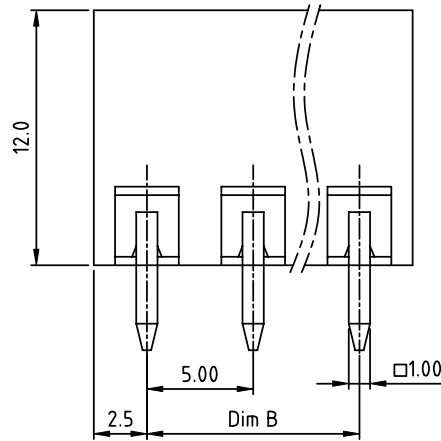


PRODUCT NUMBER	PITCH
OQxx70x000J0G	5.00 mm



RECOMMENDED P.C.B LAYOUT
TOP VIEW



Material:

- Item (a) Male contact pin: Copper ,Tin plated
- Item (b) Terminal housing: Thermoplastic (UL94V-0)

Electrical:

- Voltage rating: 300V/300V/300V
- Current rating: 20A/20A/20A
- Withstanding Voltage: 1.6 KV/2.5KV/2.5KV
- Operating temperature: -40°C to +115°C
- Soldering temperature: 260°C±5°C/5 Sec
- Safety Approval:



DIMENSION

Dim A	N×5.0
Dim B&C	(N-1)×5.0

N = Number of poles

Poles	Tolerance
2-6p	±0.15
7-12p	±0.20
13-18p	±0.30
19-24p	±0.40

PART NO.: OQ xx 7 0 x 0 00J0 G

No. of poles	0 Black (RAL9005)	RoHS compliant (lead<4%)
02 2 poles	2 Red (RAL3001/D)	In copper Alloy
03 3 poles	3 Orange(RAL2011/P)	
...	4 Yellow(RAL1018/A)	
24 24 poles	5 Green(RAL6018/T)	
	6 Blue (RAL5015/A)	
	8 Grey(RAL7035/D)	
	9 White(RAL1102)	
	C Green(RAL6018/U)	

mat'l. code		surface ASME Y14.5	tolerance ASME Y14.5	projection	product family TERMINAL BLOCK
ltr	ecn no	dr	date	 MM	title TERMINAL BLOCK
tolerances unless otherwise specified					
angles		0.01	X.±0.5	scale	PLUGGABLE SOCKET, OPEN TYPE, VERTICAL
X°±1°		0.02	X.XX±0.3		
dr		HANKE FENG	032814		sheet 1 of 1
enr		HANKE FENG	032814		size A4
chr		SHI JUN	032814		dwg no OQxx70x000J0G
appd		SHI JUN	032814		type CUSTOMER Drawing
sheet index	revision	A			