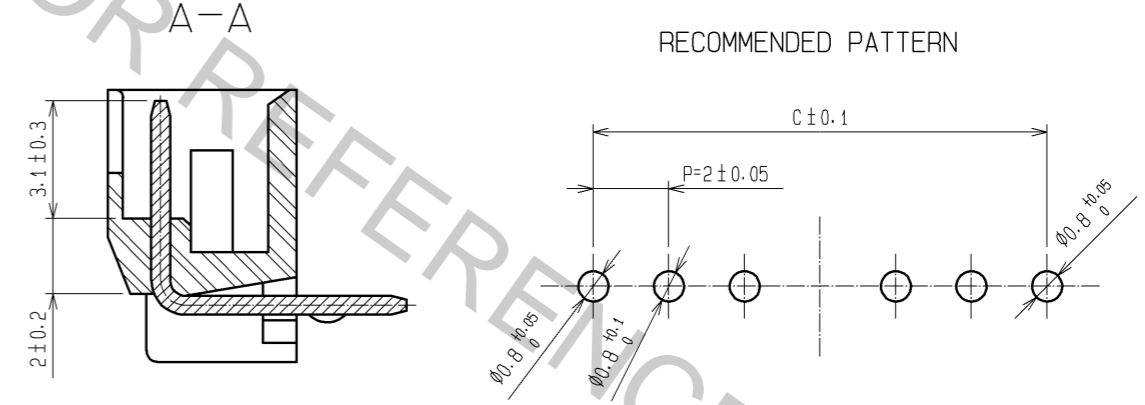


製品コード	製品名	NUMBER OF CONTACT	A	B	C
CL543-0031-3-01	DF3- 2P-2DS(01)	2	6.0	4.6	2.0
CL543-0032-6-01	DF3- 3P-2DS(01)	3	8.0	6.6	4.0
CL543-0033-9-01	DF3- 4P-2DS(01)	4	10.0	8.6	6.0
CL543-0034-1-01	DF3- 5P-2DS(01)	5	12.0	10.6	8.0
CL543-0035-4-01	DF3- 6P-2DS(01)	6	14.0	12.6	10.0
CL543-0036-7-01	DF3- 7P-2DS(01)	7	16.0	14.6	12.0
CL543-0037-0-01	DF3- 8P-2DS(01)	8	18.0	16.6	14.0
CL543-0038-2-01	DF3- 9P-2DS(01)	9	20.0	18.6	16.0
CL543-0039-5-01	DF3-10P-2DS(01)	10	22.0	20.6	18.0
CL543-0040-4-01	DF3-11P-2DS(01)	11	24.0	22.6	20.0
CL543-0041-7-01	DF3-12P-2DS(01)	12	26.0	24.6	22.0
CL543-0042-0-01	DF3-13P-2DS(01)	13	28.0	26.6	24.0
CL543-0043-2-01	DF3-14P-2DS(01)	14	30.0	28.6	26.0
CL543-0044-5-01	DF3-15P-2DS(01)	15	32.0	30.6	28.0



NOTES 1: No. 1 AND * CONTACT SHALL BE PROCESSED KINK. (*=2-15)

1	POLYAMIDE	BLACK , UL94V-0	2	BRASS	SURFACE:GOLD PLATED 0.2μm MIN.
NO.	MATERIAL	FINISH , REMARKS	NO.	MATERIAL	UNDER PLATING:NICKEL PLATED 0.5μm MIN.
UNITS mm		SCALE 5 : 1	COUNT 	DESCRIPTION OF REVISIONS DIS-H-005088	DESIGNED MI. SAKIMURA
	HIROSE ELECTRIC CO., LTD.	APPROVED : KJ. KATAYOSE CHECKED : KI. AKIYAMA DESIGNED : TH. ARAI DRAWN : TH. ARAI	05. 01. 05 05. 01. 05 05. 01. 05 05. 01. 05	DESIGNED MI. SAKIMURA	CHECKED HK. UMEHARA
			DRAWING NO. EDC3-162397-01		
			PART NO. DF3- * P-2DS(01)		
			CODE NO. CL543		
					1/1