

# Customer Information Sheet

DRAWING No.: M80-826XXXXP

SHEET 2 OF 2

IF IN DOUBT - ASK

(C)

NOT TO SCALE

THIRD ANGLE PROJECTION

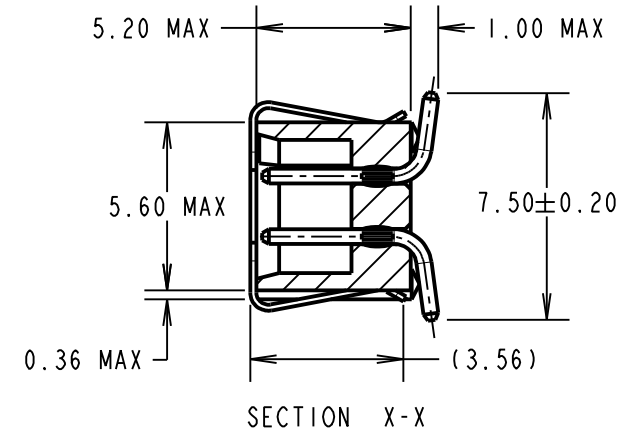
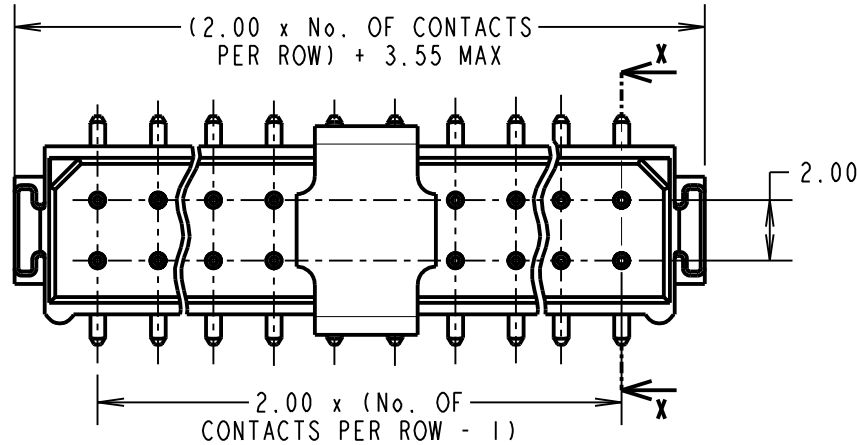
ALL DIMENSIONS IN mm

ORDER CODE:

**M80-826XXXXP**

TOTAL No. OF WAYS  
04, 06, 08, 10, 12  
14, 16, 18, 20, 26  
34

FINISH  
22 - SELECTIVE GOLD  
+ TIN/LEAD  
42 - SELECTIVE GOLD  
+ 100% TIN  
45 - GOLD



NOTES:  
1. 2-OFF STRAIN RELIEF STRAPS  
M80-0030006 MAY BE USED  
WITH THIS CONNECTOR.

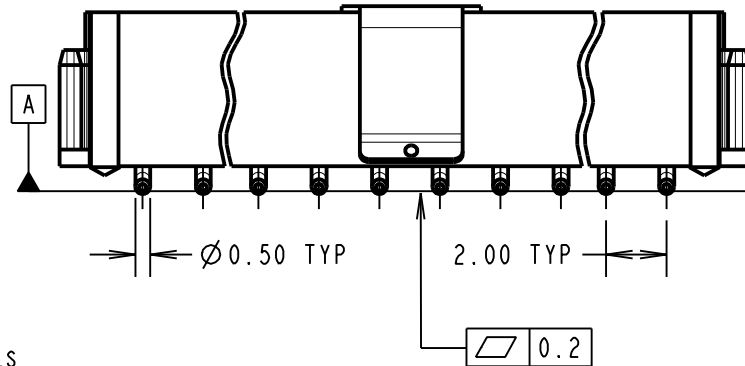
**SPECIFICATIONS:**

**MATERIAL:**  
MOULDING = G-F PPS UL94V-0, BLACK  
CONTACTS = PHOSPHOR BRONZE

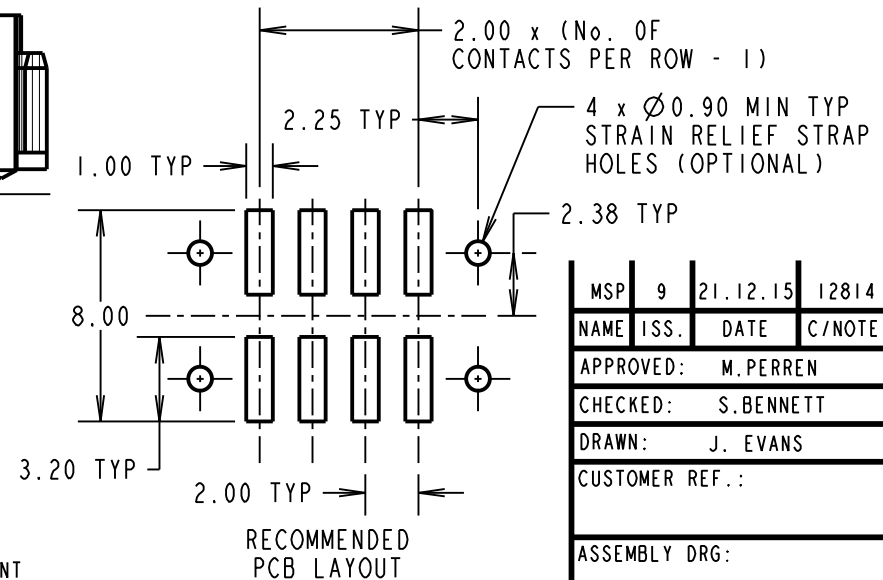
**FINISH:**

**CONTACTS:**  
22 = 0.75µ GOLD ON CONTACT AREA,  
3.0µ 90/10 TIN/LEAD ON TAILS  
42 = 0.75µ GOLD ON CONTACT AREA,  
3.0µ 100% TIN OVER NICKEL ON TAILS  
45 = 0.75µ GOLD ALL OVER

**ELECTRICAL:**  
CURRENT RATING AT 25°C = 3.0A MAX  
CURRENT RATING AT 85°C = 2.2A MAX  
WORKING VOLTAGE = 800V AC/DC  
VOLTAGE PROOF = 1200V AC/DC  
CONTACT RESISTANCE (INITIAL) = 20mΩ MAX  
CONTACT RESISTANCE (AFTER CONDITIONING) = 25mΩ MAX  
INSULATION RESISTANCE (INITIAL) = 1,000MΩ MIN  
INSULATION RESISTANCE (AFTER CONDITIONING) = 100MΩ MIN



**MECHANICAL:**  
DURABILITY = 500 OPERATIONS  
**ENVIRONMENTAL:**  
TEMPERATURE RANGE = -55°C TO +125°C  
**PACKING:**  
TUBE  
FOR COMPLETE SPECIFICATION, SEE COMPONENT  
SPECIFICATION C005XX (LATEST ISSUE)



MSP	9	21.12.15	12814
NAME	ISS.	DATE	C/NOTE
APPROVED:		M.PERREN	
CHECKED:		S.BENNETT	
DRAWN:		J. EVANS	
CUSTOMER REF.:			
ASSEMBLY DRG:			

**HARWIN**

www.harwin.com  
technical@harwin.com

THIS DRAWING AND ANY INFORMATION OR DESCRIPTIVE MATTER SET OUT HEREON ARE CONFIDENTIAL AND COPYRIGHT PROPERTY OF THE HARWIN GROUP AND MUST NOT BE DISCLOSED, LOANED, COPIED OR USED FOR MANUFACTURING, TENDERING OR FOR ANY OTHER PURPOSE WITHOUT THEIR WRITTEN PERMISSION.

**TOLERANCES**  
X. = ±1mm  
X.X = ±0.50mm  
X.XX = ±0.10mm  
X.XXX = ±0.01mm  
**ANGLES = ±5°**  
UNLESS STATED

**MATERIAL:**  
SEE ABOVE  
**FINISH:** SEE ABOVE  
**S/AREA:** mm<sup>2</sup>

**TITLE:** DATAMATE L-TEK  
MALE DIL VERTICAL SMT  
ASSEMBLY - UNLATCHED, P/PLACE  
**DRAWING NUMBER:**  
**M80-826XXXXP**  
SHT 2 OF 2