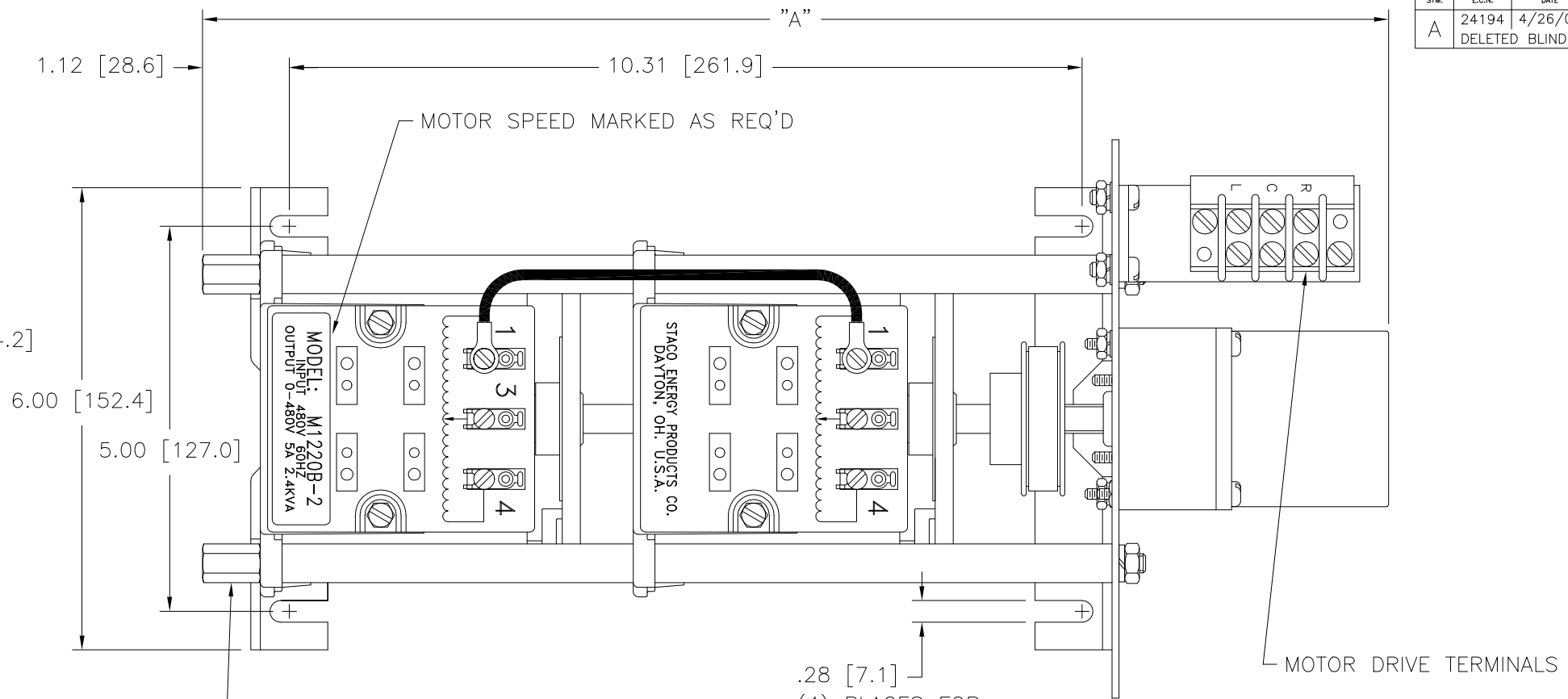
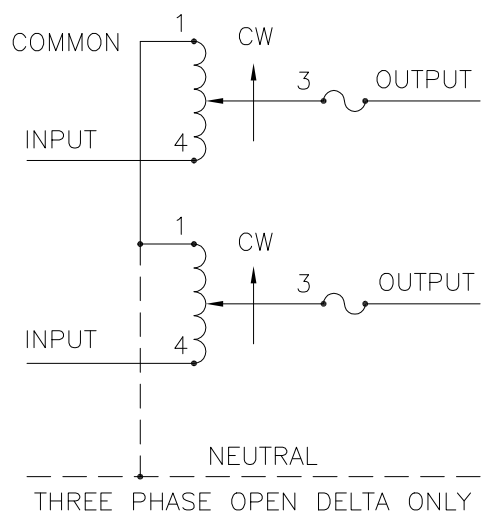


OPTIONAL TERMINALS FOR PUSH ON OR SOLDER CONNECTIONS (.032 X .250) [0.8 X 6.4]



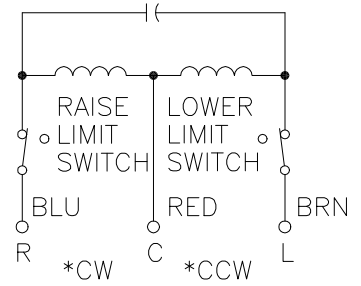
(4) STANDOFFS TAPPED 1/4-28 X .38 [9.5] DEEP FOR MOUNTING BOLTS

(4) PLACES FOR CUSTOMER MOUNTING



THREE PHASE OPEN DELTA ONLY

SCHEMATIC THREE PHASE OPEN DELTA AND SINGLE PHASE SERIES. FUSE RECOMMENDED BUT NOT SUPPLIED.



MOTOR CIRCUIT 120V, 50/60 HZ * ROTATION AS VIEWED FROM MOTOR END MOTOR SPEED: SEE CHART

- + MOTOR DRIVEN UNITS USE TERMINAL CONNECTIONS FOR CCW INCREASING VOLTAGE, AS VIEWED FROM BASE END.
- π IF GANGED UNITS ARE USED IN A SYSTEM THAT ORDINARILY HAS A COMMON NEUTRAL OR GROUND BETWEEN SOURCE AND LOAD, THE NEUTRAL OR GROUND MUST BE CONNECTED TO THE COMMON TERMINALS OF THE VARIABLE TRANSFORMER ASSEMBLY. IF THE SYSTEM HAS NO NEUTRAL, THE LOAD MUST BE BALANCED OR THE TRANSFORMER WILL BE DAMAGED.
- JUMPER PROVIDED IN STANDARD COMMON POSITION AND SHOULD BE MOVED OR REMOVED AS REQUIRED.
- ++ LINE TO LINE VOLTAGE.

WIRING	INPUT		OUTPUT				SHAFT ROTATION TO INCREASE VOLTAGE	TERMINAL CONNECTIONS			
	VOLTS	HERTZ	VOLTS	CONSTANT CURRENT LOAD		CONSTANT IMPEDANCE LOAD		FOR INCREASING VOLTAGE AS VIEWED FROM BASE END +			
				MAX. AMPS	MAX. KVA	MAX. AMPS		MAX. KVA	INPUT	JUMPER	OUTPUT
SINGLE PHASE SERIES	480	60	0-480	5.0	2.40	7.0	3.36	CW	1-1	4-4	3-3
				CCW	4-4	1-1	3-3				
THREE PHASE OPEN DELTA π	240	60	0-240	5.0	2.08	7.0	2.91	CW	1-4-1	4-4	3-4-3
				CCW	4-1-4	1-1	3-1-3				

SPEED (SECONDS)	MODEL NUMBER	DIM "A"
5	5M1220B-2	15.40 [391.2]
15	15M1220B-2	15.40 [391.2]
30	30M1220B-2	15.79 [401.1]
60	60M1220B-2	15.79 [401.1]

UNLESS OTHERWISE SPECIFIED, TOLERANCE IS # DECIMALS HOLES ANGLES DRAFT XX .0005 .06 .002 1° 1-1/2° MATERIAL: ALL DIMENSIONS APPLY AFTER PLATING

TITLE: SPEC. CONTROL DRAWING MOTORIZED VARIABLE XFMR MODEL: M1220B-2

DRAWN BY: S.A. SMITH DATE: 9/26/97 FIRST USED ON: DO NOT SCALE DWG. CUSTOMER APPROVAL: DATE:

CHECKER: DATE: WEIGHT APPROX. 29 LBS CODE IDENT. NO. 83008 DWG. NO. 031-3390

ENGINEER: DATE: SCALE 1=1 SHEET 1 OF 1

STACO ENERGY PRODUCTS CO. A COMPONENTS CORPORATION OF AMERICA COMPANY DAYTON, OHIO U.S.A.