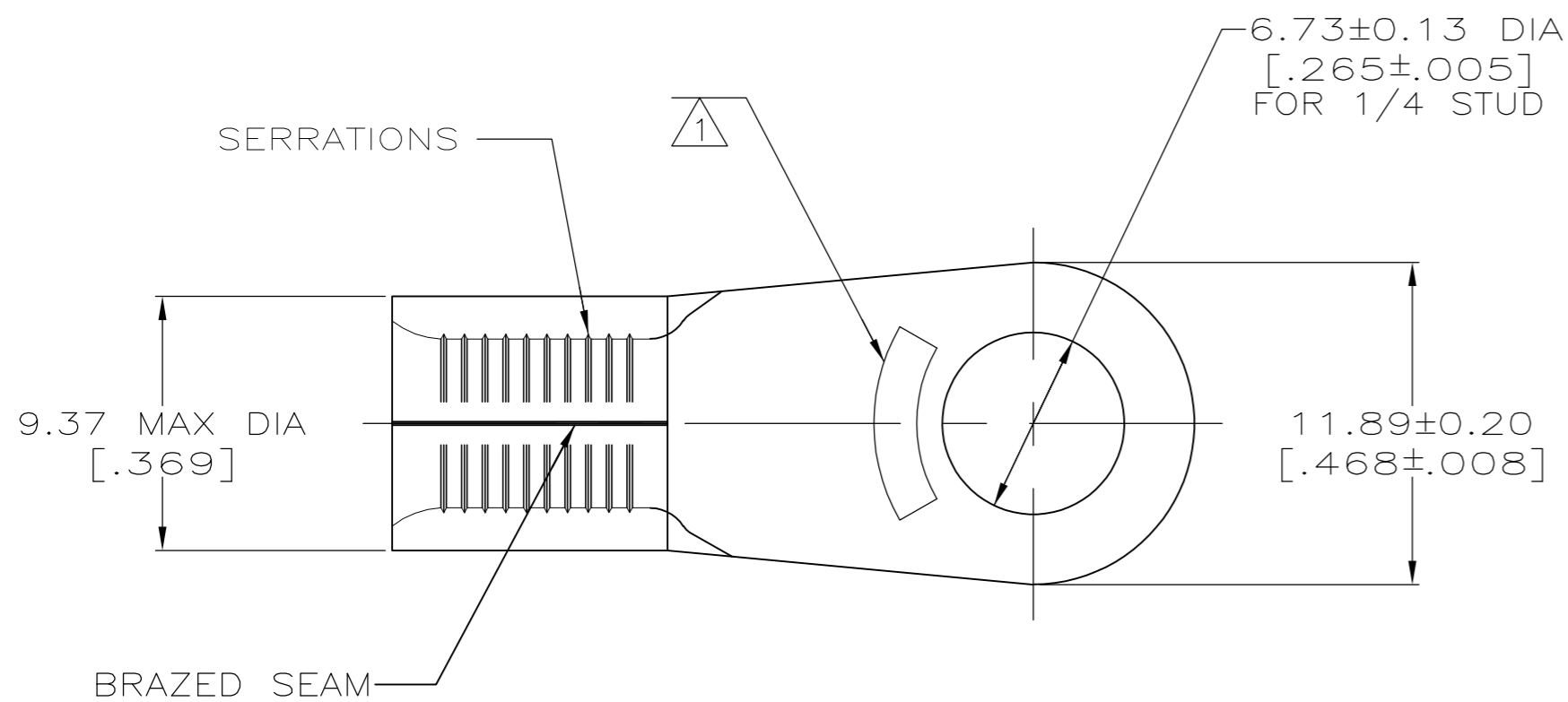


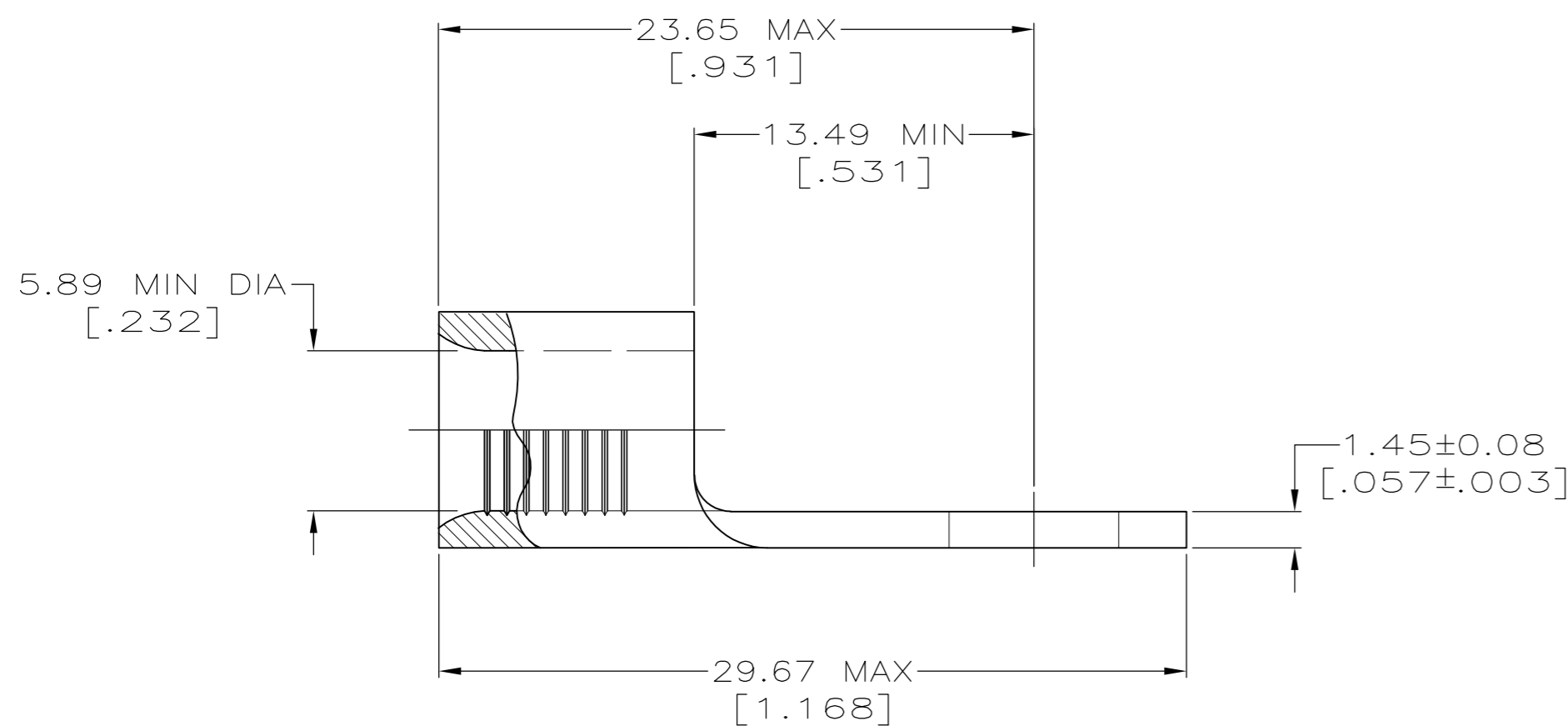
THIS DRAWING IS UNPUBLISHED. RELEASED FOR PUBLICATION  
 © COPYRIGHT - By - ALL RIGHTS RESERVED.

LOC	DIST	REVISIONS					
G	14	P	LTR	DESCRIPTION	DATE	DWN	APVD
		G4		REVISED PER ECO-11-004587	11MAR11	RK	HMR



<b>AMP</b> WIRE RANGE	Listed FILE E13288	LR7189 Certified
6 AWG SOLID OR STRANDED	6 AWG STRANDED	6 AWG SOLID OR STRANDED

- ① STAMP AMP 6\* APPROX AS SHOWN
- ② P/N 2-321598-1 PRODUCED ONLY BY FOREIGN SUBSIDIARIES OF AMP INC
- ③ COPPER PER ASTM B-152, ANNEALED
- ④ MEETS MS20659-109, CLASS 2



25	LOOSE PIECE BAG 321598	170° C	TIN PLATE 0.00254[.000100] MIN THK PER MIL-T-10727	8-321598-5
25	LOOSE PIECE BOX 321598	170° C	TIN PLATE 0.00254[.000100] MIN THK PER MIL-T-10727	8-321598-3
1000	LOOSE PIECE BOX 321598	170° C	TIN PLATE 0.00254[.000100] MIN THK PER MIL-T-10727	2-321598-4
750	321598 ON TAPE	170° C	TIN PLATE 0.00254[.000100] MIN THK PER MIL-T-10727	④ 2-321598-3
----	④ LOOSE PIECE	----	GOLD PLATE TYPE II 0.00127 [0.00005] MIN THK PER MIL-G-45204 OVER NICKEL PLATE 0.000762 [0.00003] MIN THK PER QQ-N-290	2-321598-1
----	LOOSE PIECE	170° C	TIN PLATE 0.00254[.000100] MIN THK PER MIL-T-10727	④ 321598
QTY.	PACKAGE TYPE	OPERATING TEMP, MAX	FINISH	PART NO.

CUSTOMER SERVICE SYSTEMS			THIS DRAWING IS A CONTROLLED DOCUMENT.		DWN TA BRINKMAN 3-24-93		TE Connectivity	
FOR ADDITIONAL PRODUCT INFORMATION OR COPIES OF DRAWINGS AND TECHNICAL DOCUMENTS	PRODUCT INFORMATION CENTER 1-800-522-6752	RECOMMENDED OPERATING TEMPERATURE: SEE TABLE	DIMENSIONS: MM[INCHES]	TOLERANCES UNLESS OTHERWISE SPECIFIED:	CHK DA PATTERSON 3-24-93	APVD JL MECKLEY 3-24-93	NAME TERMINAL, RING TONGUE, SOLISTRAND	
FOR APPLICATION TOOLING INFORMATION	TOOLING ASSISTANCE CENTER 1-800-722-1111	VOLTAGE RATING: NOT APPLICABLE		0 PLC ± - 1 PLC ± - 2 PLC ± - 3 PLC ± - 4 PLC ± - ANGLES ± -	PRODUCT SPEC	APPLICATION SPEC	SIZE	CAGE CODE
FOR ORDER ENTRY	1-800-526-5142	WIRE CROSS SECTIONAL AREA RANGE: 10.5-16.8mm <sup>2</sup> [20,800-33,100] CIR MILS SOLID OR STRANDED	MATERIAL - ③	FINISH SEE TABLE	WEIGHT	SCALE	DRAWING NO	RESTRICTED TO
					CUSTOMER DRAWING		A2 00779	DRAWING NO C=321598
					SCALE 4:1		SHEET 1 of 1	REV G4