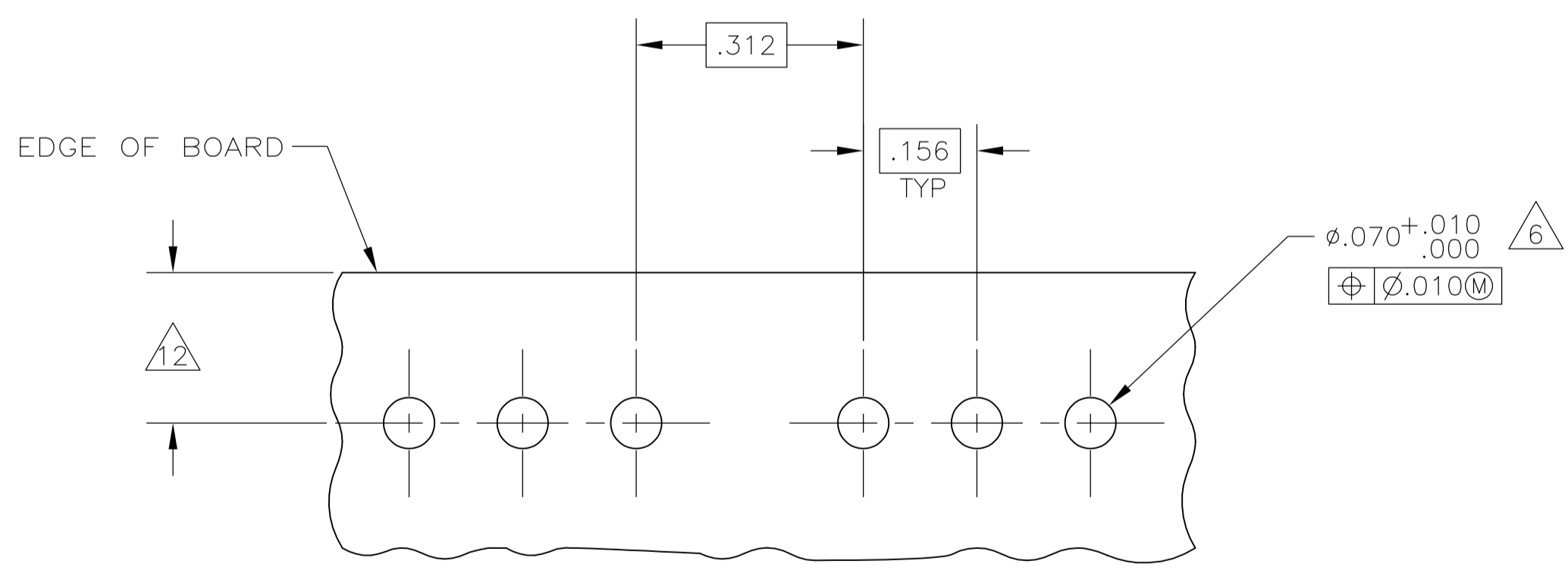
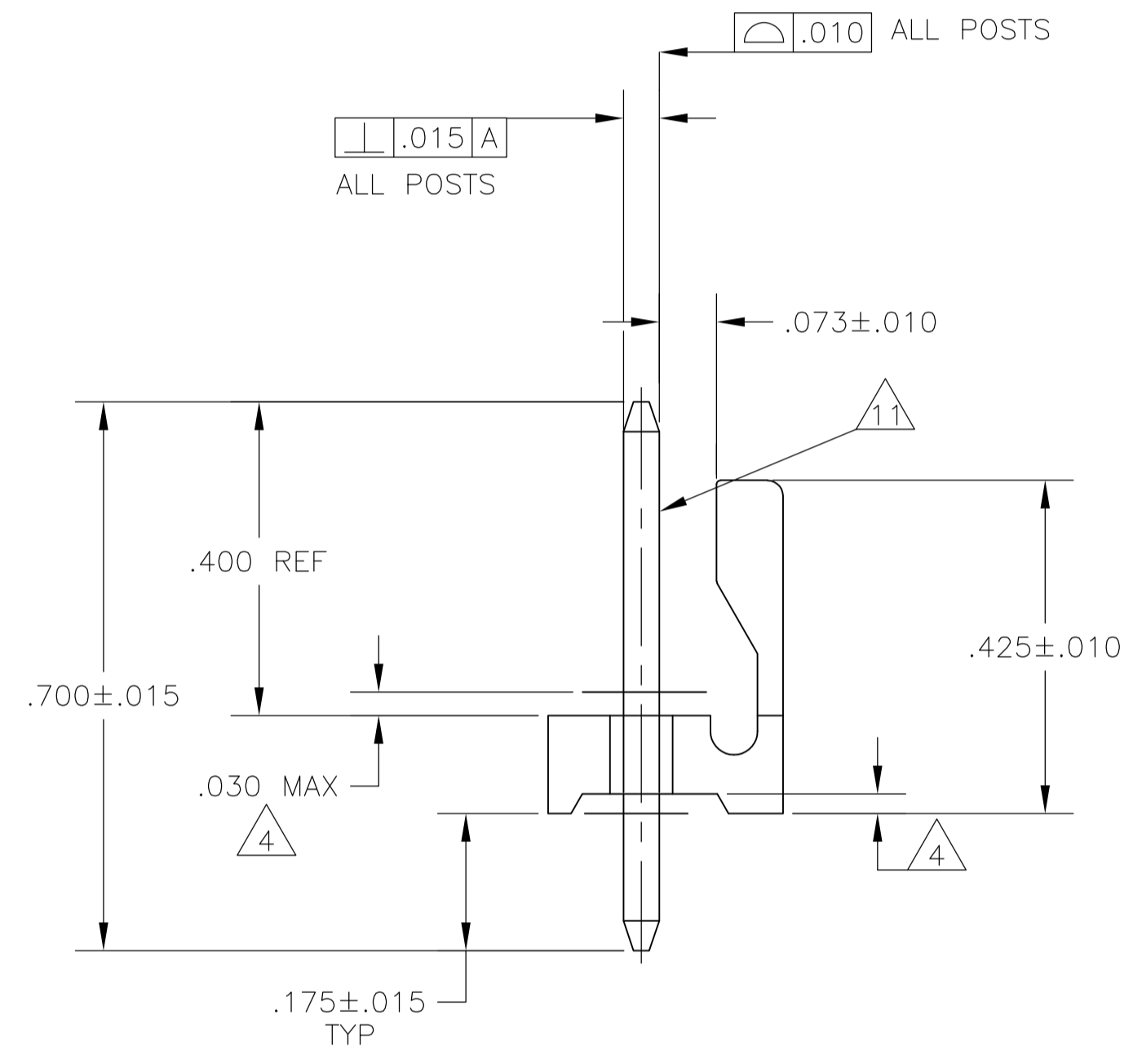
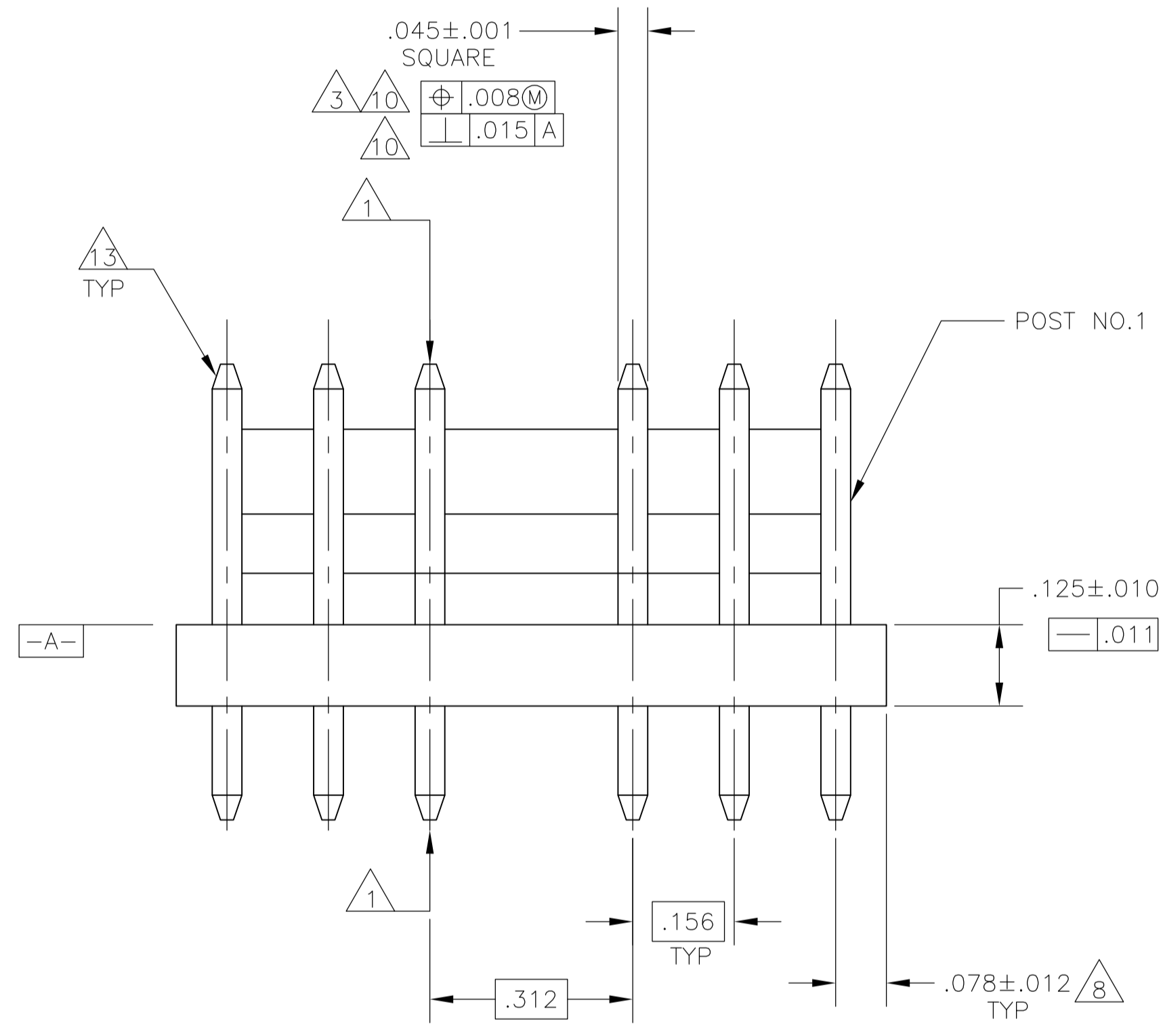
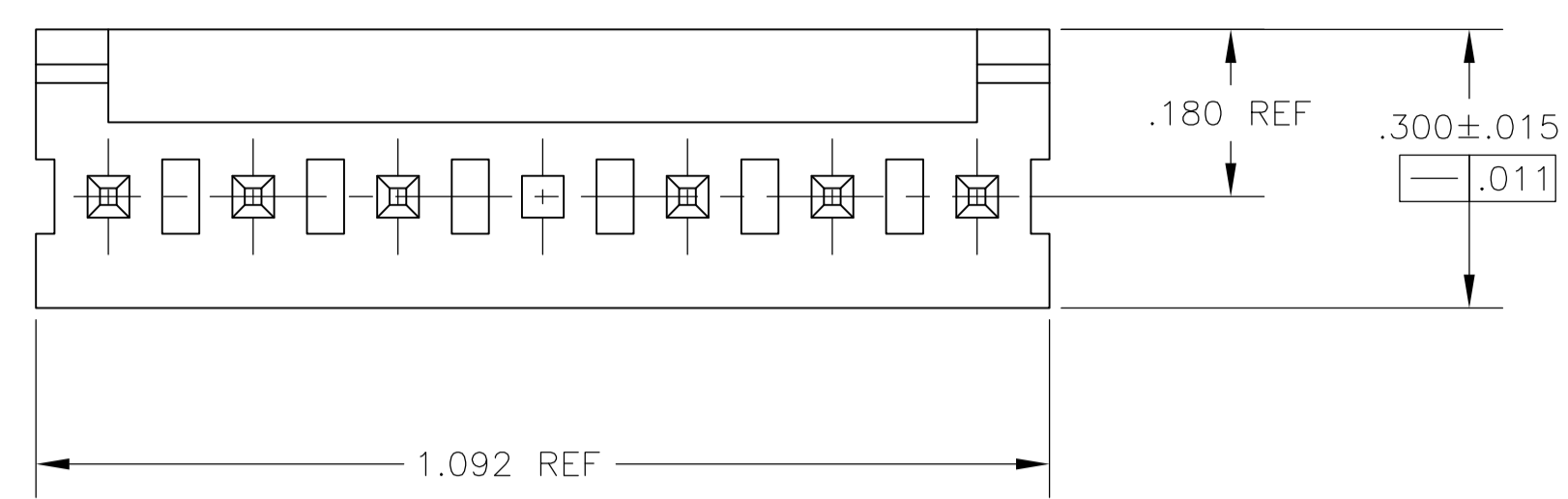


| LOC | | DIST | | REVISIONS | | | |
|-----|----|---------------------------|---------|-----------|-----|------|--|
| CM | 00 | REV | DATE | BY | CHK | APPV | |
| F | | REVISED PER ECO-12-016930 | 05OCT12 | KH | SM | | |



RECOMMENDED MOUNTING HOLE PATTERN FOR .063 THICK P.C. BOARD

- 1 POST TO WITHSTAND 13 NEWTONS (3LBS.) MIN. AXIAL FORCE IN BOTH DIRECTIONS SHOWN WITHOUT DISLODGING.
- 2 TOLERANCES APPLY TO SOLDER SIDE OF BOARD.
- 3 MEASURED AT SURFACE $\overline{-A-}$
- 4 PLASTIC FLASH PERMITTED IN THIS AREA.
- 5 PARTS COMPLY WITH AMP SOLDERABILITY SPEC. NO. 109-11-2.
- 6 ONE HOLE MAY BE UNDERSIZED (.065/.060 DIA.) FOR ASSEMBLY RETENTION DURING WAVE SOLDERING.
- 7 MATERIAL: HEADER-THERMOPLASTIC POLYESTER
GLASS-FILLED 94V-0 (NATURAL)
POST-COPPER ALLOY (TIN PLATED)
- 8 COORDINATE DIMENSION APPLIES FROM CENTER OF ACTUAL FEATURE.
- 9 PLASTIC BURRS CAUSED BY CUT-OFF TOOLING ARE PERMITTED WITHIN THE MAXIMUM TOLERANCE ENVELOPE.
- 10 POST TO BE MEASURED WHEN STRIP IS HELD FLAT.
- 11 POST MUST WITHSTAND TWO 90° BENDS AGAINST EXTRUSION WITHOUT BREAKING.
- 12 DIMENSION SHOULD BE .175 MIN WHEN MATING WITH A MTA 156 CONNECTOR ASSEMBLY OR A SL-156 CONNECTOR ASSEMBLY.
- 13 PIN BURR OF .005 MAX. VERTICAL AND .003 MAX. HORIZONTAL PERMITTED AT POST TIPS ON BOTH ENDS.

| INCHES | MILLIMETERS | INCHES | MILLIMETERS |
|--------|-------------|--------|-------------|
| .065 | 1.65 | | |
| .063 | 1.60 | 1.092 | 27.74 |
| .060 | 1.52 | .750 | 19.05 |
| .045 | 1.14 | .450 | 11.43 |
| .030 | 0.76 | .425 | 10.80 |
| .015 | 0.38 | .312 | 7.92 |
| .012 | 0.30 | .300 | 7.62 |
| .011 | 0.28 | .180 | 4.57 |
| .010 | 0.25 | .175 | 4.45 |
| .008 | 0.20 | .156 | 3.96 |
| .005 | 0.13 | .125 | 3.18 |
| .003 | 0.08 | .078 | 1.98 |
| .001 | 0.03 | .070 | 1.78 |
| .000 | 0.00 | .068 | 1.73 |
| [IN] | MM | [IN] | MM |

| | |
|---------------------|-------------|
| 3 | 644949-2 |
| 4 | 644949-1 |
| POST NUMBER OMITTED | PART NUMBER |

THIS DRAWING IS A CONTROLLED DOCUMENT.

| | | | |
|---------------|--|------------------------|--|
| DIMENSIONS: | TOLERANCES UNLESS OTHERWISE SPECIFIED: | DIN S. HOOVER 07NOV02 | TE Connectivity |
| INCHES | | CHK: D. ROSSI 07NOV02 | |
| 0. PLC ± - | | APPV: D. ROSSI 07NOV02 | NAME: MTA-.156 HEADER ASSEMBLY, FRICTION LOCK, STRAIGHT, .045 SQUARE POST, TIN PLATED, 7 POSITION, OMITTED POST, SPECIAL |
| 1. PLC ± - | | | APPLICATION SPEC |
| 2. PLC ± - | | | SIZE: A1 |
| 3. PLC ± .005 | | | WEIGHT: - |
| 4. PLC ± - | | | CAGE CODE: 644949 |
| ANGLES ± - | | | DRAWING NO: 00779 |
| | | | SCALE: 5:1 |
| | | | SHEET 1 OF 1 |
| | | | REV F |