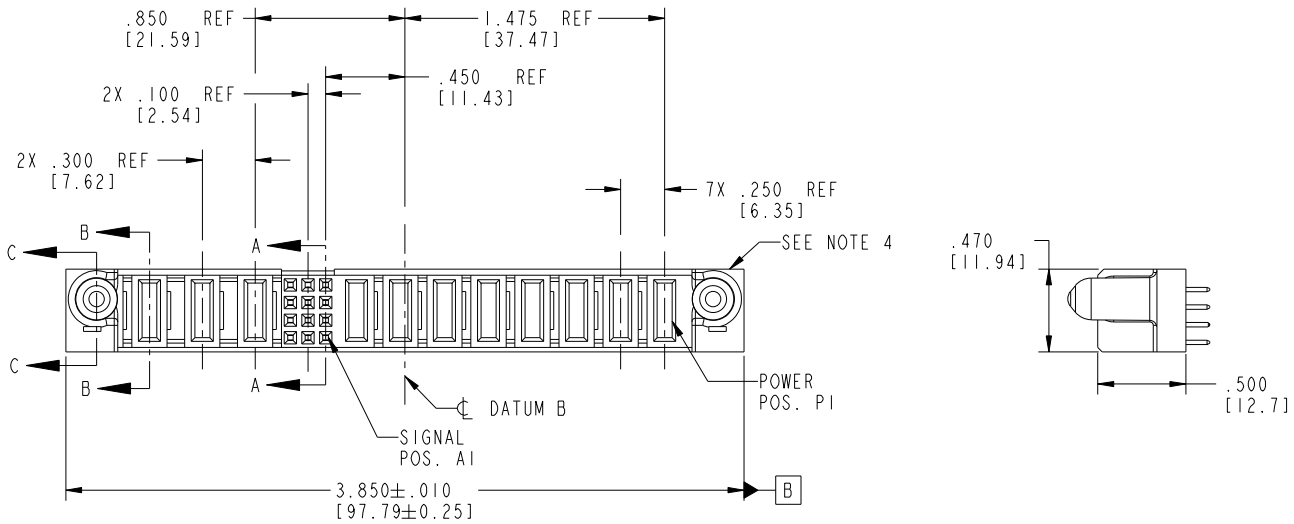


Tous droits strictement reserves. Reproduction ou communication a des tiers interdite sous quelque forme que ce soit sans autorisation écrite du propriétaire. Propriete de c FCI. Droits de reproduction FCI.



All rights strictly reserved. Reproduction or issue to third parties in any form whatever is not permitted without written authority from the proprietor. Property of FCI. Copyright FCI.

PRODUCT NO.	ROWS	POWER				SIGNAL		POWER							E1		
		E2	P11	P10	P9	3	2	1	P8	P7	P6	P5	P4	P3		P2	P1
51940-094-- NOTE: 3	D C B A																



CODE	DIM "M" MATING LENGTH	CONTACT TYPE
E	N/A [N/A]	SIGNAL
PA	.042 [1.07]	POWER
PD	.092 [2.34]	POWER

mat'l code				SEE NOTE 2		tolerances unless otherwise specified		CUSTOMER		www.fciconnect.com	
ltr	ecn no.	dr	date	linear	.XX±.01/0.X±0.3	angles	0°±2°	COPY		title	
A	V04-0709	TAB	07/16/04		.XXX±.005/0.XX±0.13	dr	T. BRUNGARD 07/16/04	projection		8P + 12S + 3ACP	
B	DG08-0316	WD	11/12/08		.XXX±.002/0.XXX±0.051	enr	M. GRAY 07/16/04	INCH/MM		VERTICAL SOLDER RECEPT	
						chr	M. GRAY 07/16/04	scale		product family	
						appd	M. GRAY 07/16/04	1:1		PwrBlade	
sheet index		revision sheet		B	B	B	B	size		code	
				1	2	3	4	dwg no		213	
								A		51940-094	
								sheet		1 of 4	

cage code 22526

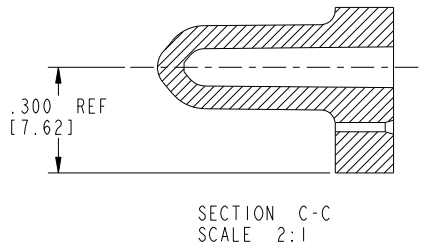
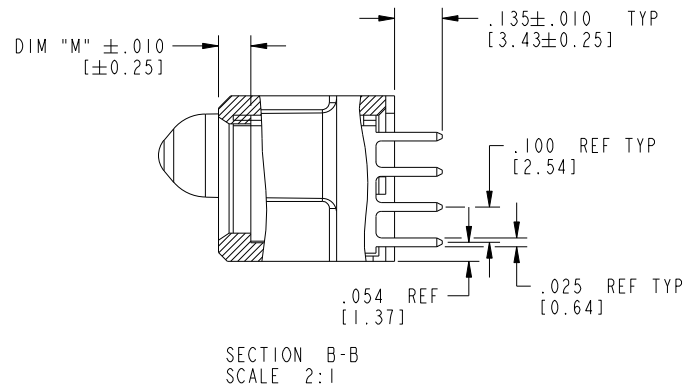
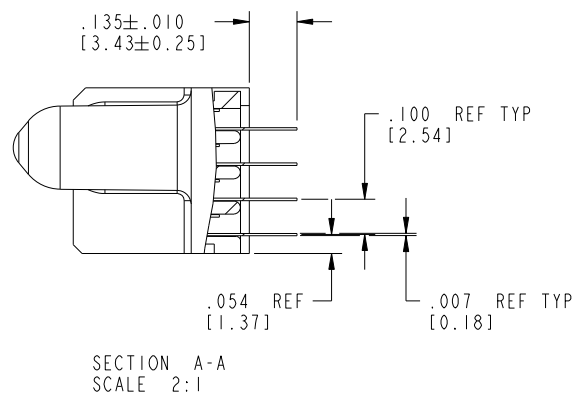
Pro/E

Tous droits strictement reserves. Reproduction ou communication a des tiers interdite sous quelque forme que ce soit sans autorisation ecrite du proprietaire. Propriete de c FCI. Droits de reproduction FCI.



All rights strictly reserved. Reproduction or issue to third parties in any form whatever is not permitted without written authority from the proprietor. Property of FCI. Copyright FCI.

PRODUCT NUMBER
51940-094__



mat'l code		SEE NOTE 2		tolerances unless otherwise specified		CUSTOMER		 www.fciconnect.com	
ltr	ecn no.	dr	date	linear	.XX±.01/0.X±0.3	COPY		title	
B					.XXX±.005/0.XX±0.13	projection		8P + 12S + 3ACP	
				angles	.XXX±.0020/0.XXX±0.051			VERTICAL SOLDER RECEPT	
				dr	0°±2°	INCH/MM		product family	
				enr	T. BRUNGARD 07/16/04	scale		PwrBlade	
				chr	M. GRAY 07/16/04	1:1		code	
				appd	M. GRAY 07/16/04	A		size	
sheet index		revision sheet				A		dwg no	
								51940-094	
								sheet	
								2 of 4	

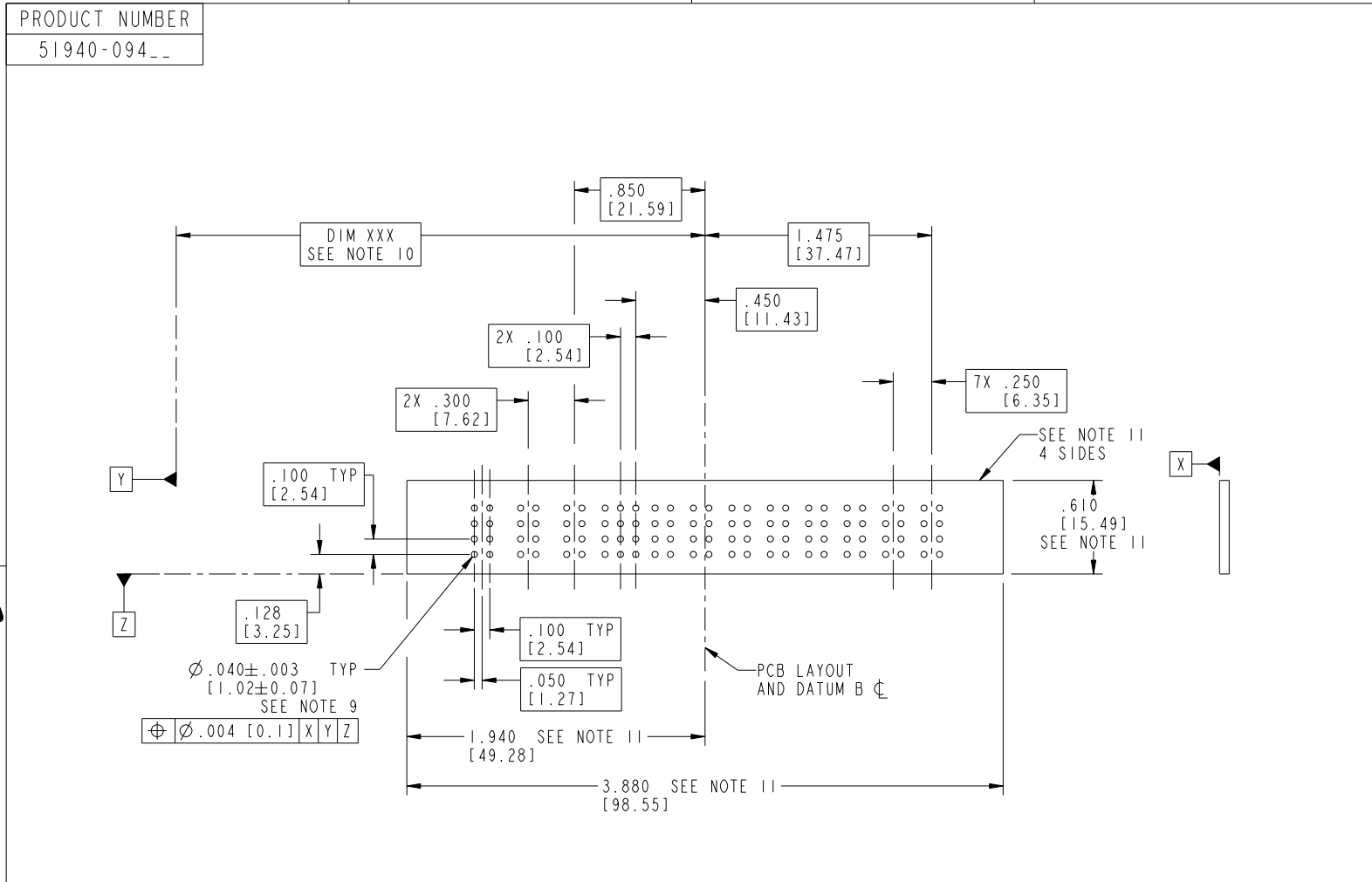
Pro/E

cage code 22526

Tous droits strictement reserves. Reproduction ou communication a des tiers interdite sous quelque forme que ce soit sans autorisation ecrite du proprietaire. Propriete de c FCI. Droits de reproduction FCI.



All rights strictly reserved. Reproduction or issue to third parties in any form whatever is not permitted without written authority from the proprietor. Property of FCI. Copyright FCI.



mat'l code		SEE NOTE 2		tolerances unless otherwise specified		CUSTOMER		 www.fciconnect.com	
lfr	ecn no.	dr	date	linear	.XX±.01/0.X±0.3	COPY		title	
B					.XXX±.005/0.XX±0.13	projection		8P + 12S + 3ACP	
				angles	.XXX±.0020/0.XXX±0.051			VERTICAL SOLDER RECEPT	
				dr	0°±2°	INCH/MM		product family	
				enr	T. BRUNGARD 07/16/04	scale		PwrBlade	
				chr	M. GRAY 07/16/04	1:1		code	
				appd	M. GRAY 07/16/04	size		213	
sheet index		revision sheet				dwg no		3 of 4	
						A		51940-094	

cage code 22526

Pro/E

Tous droits strictement reserves. Reproduction ou communication a des tiers interdite sous quelque forme que ce soit sans autorisation écrite du propriétaire. Propriete de c FCI. Droits de reproduction FCI.



All rights strictly reserved. Reproduction or issue to third parties in any form whatever is not permitted without written authority from the proprietor. Property of FCI. Copyright FCI.

PRODUCT NUMBER
51940-094_

NOTES:

1. DIMENSIONS AND TOLERANCES ARE IN ACCORDANCE WITH ASME Y14.5M, 1994 UNLESS OTHERWISE SPECIFIED.

CONNECTOR NOTES:

② HOUSING MATERIAL: UL 94 V-0 GLASS FILLED HIGH-TEMP THERMOPLASTIC
POWER CONTACT MATERIAL: COPPER ALLOY
SIGNAL PIN MATERIAL: COPPER ALLOY

⚠ 3. SEE ITEM 5 & 6 IN PRINT 10064183 FOR PLATING SPEC OF 51940-094 AND 51940-094LF RESPECTIVELY.

④ MANUFACTURER'S NAME, P/N, AND DATE CODE TO APPEAR ON THIS SURFACE.

5. PRODUCT SPECIFICATION GS-12-149.
APPLICATION SPECIFICATION BUS-20-067.

6. PACKAGED IN TRAYS.

PCB NOTES:

7. ALL HOLE DIAMETERS ARE FINISHED HOLE SIZE.

⑧ MOUNTING HOLES, WHERE APPLICABLE, ARE UNPLATED.

⑨ $\varnothing .0453 \pm .0010$ [1.151 \pm 0.025] DRILLED HOLES PLATED WITH
.0003 [0.008] MIN SnPb OVER .001 [0.03]
TO .003 [0.08] Cu PLATING TO ACHIEVE
 $\varnothing .040 \pm .003$ [1.02 \pm .07] HOLE.

⑩ "DIM XXX" TO BE DETERMINED BY THE CUSTOMER.

⑪ CONNECTOR KEEP-OUT ZONE.

12. ⚠ SYMBOL WILL BE NEXT TO ANY DIMENSION, VIEW, OR NOTE WHICH HAS BEEN MODIFIED WITH THE CURRENT DRAWING REVISION.

mat'l code		SEE NOTE 2		tolerances unless otherwise specified		CUSTOMER		www.fciconnect.com	
lfr	ecn no.	dr	date	linear	.XX±.01/0.X±0.3		COPY		
B					.XXX±.005/0.XX±0.13		title		
				angles	.XXX±.002/0.XXX±0.051				VERTICAL SOLDER RECEPT
					0°±2°		product family		PwrBlade
				dr	T. BRUNGARD	07/16/04	INCH/MM		code
				enr	M. GRAY	07/16/04	scale		213
				chr	M. GRAY	07/16/04	1:1		sheet
				appd	M. GRAY	07/16/04	A		4 of 4
sheet index	revision sheet								

cage code 22526

Pro/E