

55358-5021	55358-50**
MATERIAL No.	MODEL No.

<b>REVISED</b> EC NO: J2009-0469 DRWN: YOSHIDAM 2008/12/01 CHKD: THARUYAMA 2008/12/01 APPR: NUKITA 2008/12/08	GENERAL TOLERANCES (UNLESS SPECIFIED)		DIMENSION STYLE	SCALE	DESIGN UNITS	THIRD ANGLE PROJECTION	
	10 UNDER	±0.2	MM ONLY	2:1	METRIC	⊙	
	10 OVER 30 UNDER	±0.25	DRAWN BY	DATE	TITLE	CF CARD CONN. 50P HEADER ASSY (TYPE I/II,NORMAL)	
	30 OVER	±0.3	T. HIRAYAMA	'98/09/01	MOLEX INCORPORATED DOCUMENT NO. SD-55358-003 SHEET NO. 1 OF 2		
ANGULAR	±3 °	CHECKED BY	DATE				
DRAFT WHERE APPLICABLE MUST REMAIN WITHIN DIMENSIONS		M. SASAO	'98/09/01	APPROVED BY	DATE	SEE TABLE	
		H. IKESUGI	'98/09/01	MATERIAL NO.	THIS DRAWING CONTAINS INFORMATION THAT IS PROPRIETARY TO MOLEX INCORPORATED AND SHOULD NOT BE USED WITHOUT WRITTEN PERMISSION		

注) 1. 材質  
NOTES MATERIAL

ハウジング : ガラス入りLCP UL94V-0  
HOUSING : LIQUID CRYSTAL POLYMER G.F. UL94V-0  
ピン : リン青銅  
PIN : PHOSPHOR BRONZE  
ネール : リン青銅 (t0.3)  
NAIL : PHOSPHOR BRONZE (t0.3)  
リヤネール : リン青銅 (t0.48)  
REAR-NAIL : PHOSPHOR BRONZE (t0.48)

2. ヌッキ仕様  
PLATING

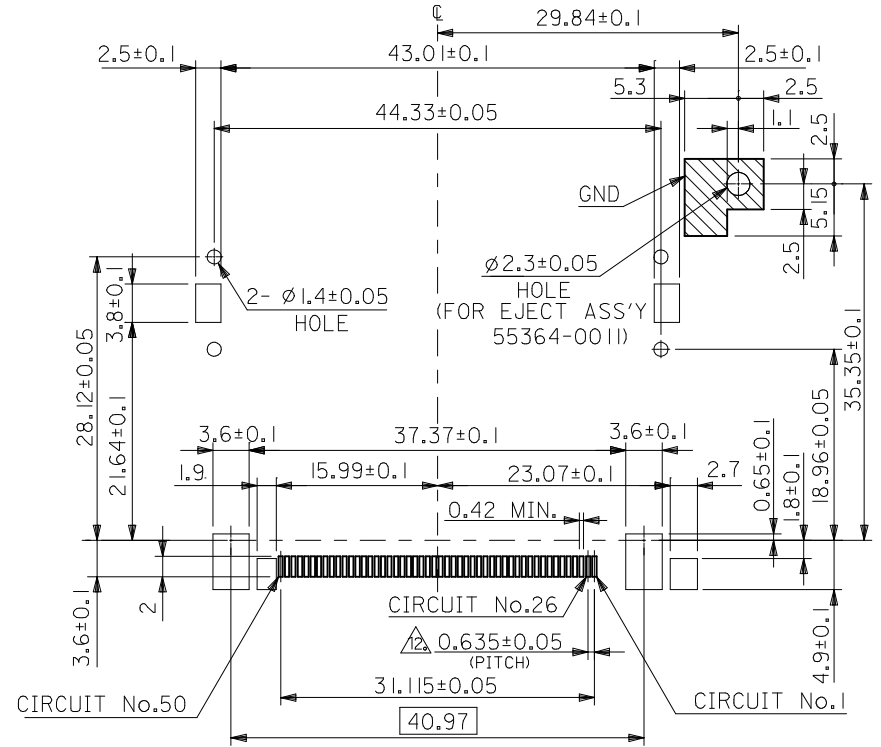
ピン 接点部 : パラジウムニッケル下地、金メッキ  
CONTACT AREA: GOLD OVER PALLADIUM-NICKEL  
半田付け部 : 半田メッキ  
SOLDER TAIL AREA: TIN-LEAD  
下地メッキ : ニッケルメッキ  
UNDERPLATING: NICKEL OVER ALL

ネール 接点部 : 金メッキ  
CONTACT AREA: GOLD  
半田付け部 : 半田メッキ  
SOLDER TAIL AREA: TIN-LEAD  
下地メッキ : ニッケルメッキ  
UNDERPLATING: NICKEL OVER ALL

リヤネール 半田メッキ  
REAR-NAIL TIN-LEAD  
下地メッキ : 銅メッキ  
UNDERPLATING: COPPER OVER ALL

3. 推奨基板厚 : t=0.8 MIN.  
RECOMMENDED P.C.B. THICKNESS: t=0.8 MIN.
4. 適合カード厚 : 3.3±0.1 (TYPE I) AND 5 MAX. (TYPE II)  
RECOMMENDED CARD THICKNESS: 3.3±0.1 (TYPE I) AND 5 MAX. (TYPE II)
5. 適合カード幅 : 42.8±0.1  
RECOMMENDED CARD WIDTH: 42.8±0.1
6. ハウジング色 : 黒  
HOUSING COLOR: BLACK
- △ 寸法適用極 : 1,13,38,50  
THIS DIMENSION APPLIES TO CIRCUIT NUMBERS 1,13,38 AND 50.
- △ 寸法適用極 : 25,26  
THIS DIMENSION APPLIES TO CIRCUIT NUMBERS 25 AND 26.
- △ ピンの倒れは、ピン根元を基準に全方向へ 0.1 MAX.とする。  
PIN TIP LEAN TOWARD ANY DIRECTION NOT TO EXCEED 0.1 WHEN MEASURED FROM PIN BASE.
- △ ピン根元に適用する。  
THIS DIMENSION TO BE MEASURED AT PIN BASE.

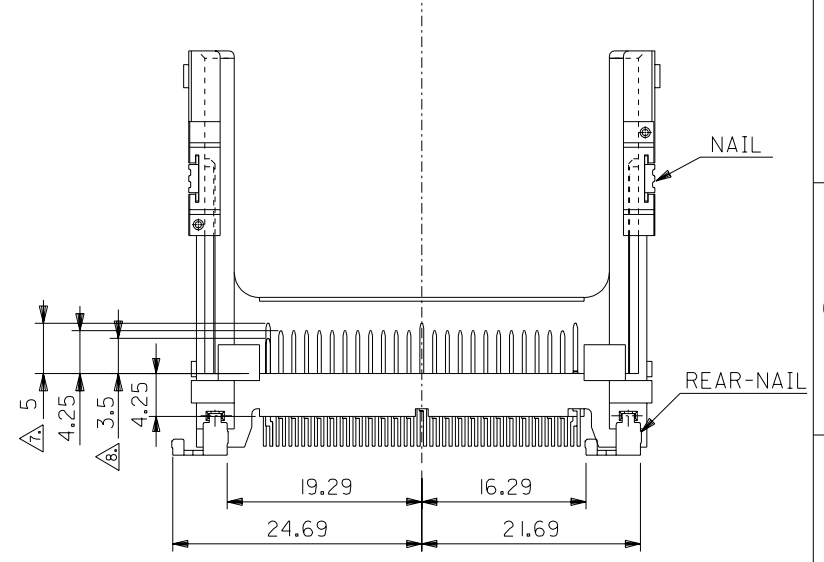
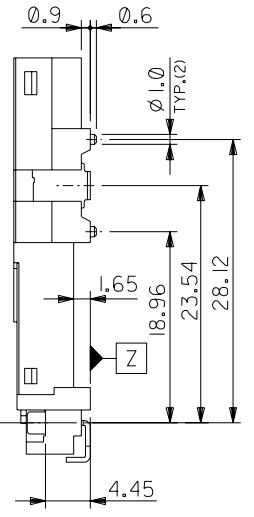
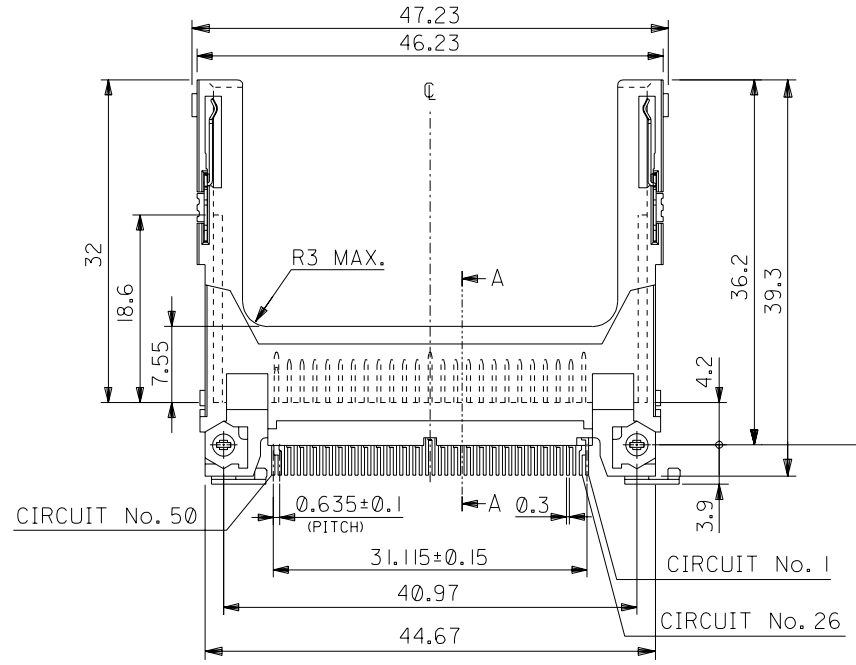
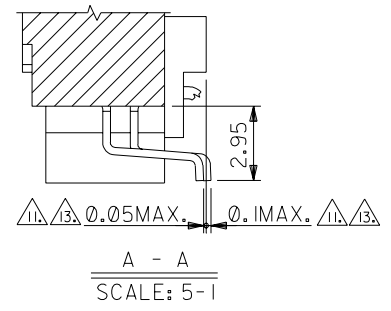
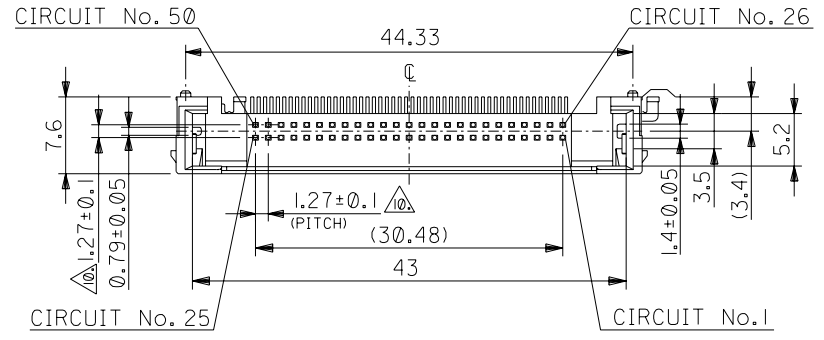
- △ ソルダータールは、Z面を基準とし上へ 0.05 下へ 0.1の範囲にあり、且つソルダータールの平坦度は、0.1 MAX.とし、テール先端にて測定する。  
SOLDERTAILS TO BE WITHIN 0.05 UPWARD AND 0.1 DOWNWARD FROM Z-DATUM PLACE, AND COPLANARITY OF SOLDERTAILS TO BE WITHIN 0.1.
- △ 公差非累積  
NON-CUMULATIVE
- △ テールとネール、リヤネールを併せた平坦度は、0.1 MAX.とする。  
TOTAL COPLANARITY OF SOLDER TAILS, NAILS AND REAR-NAILS TO BE 0.1 MAX.



基板推奨寸法  
RECOMMENDED P.C.B. LAYOUT

REVISED EC NO: J2009-0469 DRWN: YOSHIDAM 2008/12/01 CHKD: THARUYAMA 2008/12/01 APPR: NUKITA 2008/12/08	GENERAL TOLERANCES (UNLESS SPECIFIED)		DIMENSION STYLE MM ONLY	SCALE 2:1	DESIGN UNITS METRIC	THIRD ANGLE PROJECTION
	10 UNDER	±0.2	DRAWN BY T. HIRAYAMA	DATE '98/09/01	TITLE CF CARD CONN. 50P HEADER ASSY (TYPE I/II,NORMAL)	
	10 OVER 30 UNDER	±0.25	CHECKED BY M. SASAO	DATE '98/09/01	MOLEX INCORPORATED	
	30 OVER	±0.3	APPROVED BY H. IKESUGI	DATE '98/09/01	MATERIAL NO. SEE SHEET1	DOCUMENT NO. SD-55358-003
REV	ANGULAR ±3 ° DRAFT WHERE APPLICABLE MUST REMAIN WITHIN DIMENSIONS		SIZE A3	THIS DRAWING CONTAINS INFORMATION THAT IS PROPRIETARY TO MOLEX INCORPORATED AND SHOULD NOT BE USED WITHOUT WRITTEN PERMISSION		

DWG. NO. SD-55358-011



DO NOT SCALE DRAWING

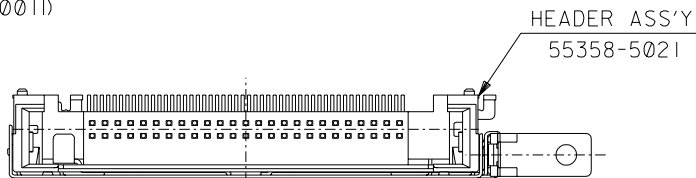
EC NO. DRWN: CHK: APPR:	EC NO. DRWN: CHK: APPR:	EC NO. DRWN: CHK: APPR:	EC NO. DRWN: CHK: APPR:	EC NO. DRWN: CHK: APPR:	
RELEASED					
EC NO. J2002-3139					
DRWN: THANYU '02/06/17					
CHK: MSASAO '02/06/17					
APPR: MSASAO '02/06/17					
REV	DESCRIPTION	MATERIAL 材料	SEE NOTES		
0	FINISH 仕上り		SEE NOTES		
	WIRE RANGE 適用電線範囲	#			
	INS. RANGE 被覆外径	#			

GENERAL TOLERANCES: (UNLESS SPECIFIED) 一般公差	SCALE 2 - 1	DESIGN UNITS <input checked="" type="checkbox"/> mm <input type="checkbox"/> INCH	THIRD ANGLE PROJECTION <input checked="" type="checkbox"/> THIRD ANGLE	DIMENSIONS: <input type="checkbox"/> mm <input type="checkbox"/> INCH <input checked="" type="checkbox"/> mm ONLY	SHT REV
10 UNDER 未満	±0.2	DRAWN BY & DATE T. Hamura '02/06/17	TITLE: CF CARD CONN. 50P HEADER ASS'Y (TYPE I/II, NORMAL)		
10 OVER 30 UNDER 以上 未満	±0.25	CHECKED BY & DATE H. Sasaki '02/06/17	MOLEX INCORPORATED		
30 OVER 以上	±0.3	APPROVED BY & DATE H. Sasaki '02/06/17	CAD FILENAME SD-55358-011.S01	MATERIAL NO. SEE CHART	DRAWING NO. SD-55358-011
ANGLE 角度	±3°				SHEET NO. 1 OF 3
THIS DRAWING CONTAINS INFORMATION THAT IS PROPRIETARY TO MOLEX INCORPORATED AND SHOULD NOT BE USED WITHOUT WRITTEN PERMISSION.					SIZE B

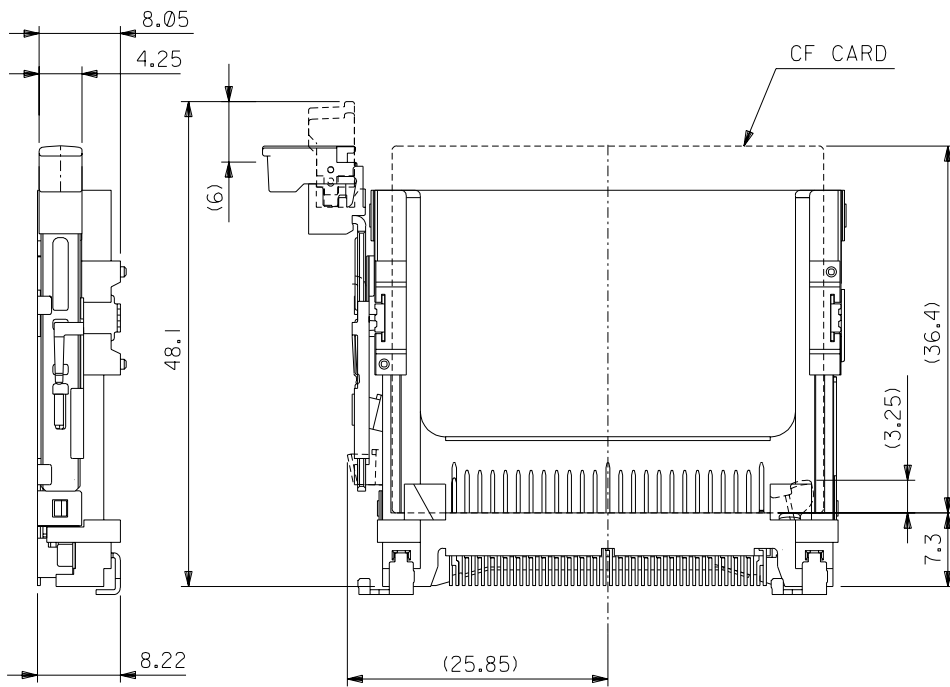
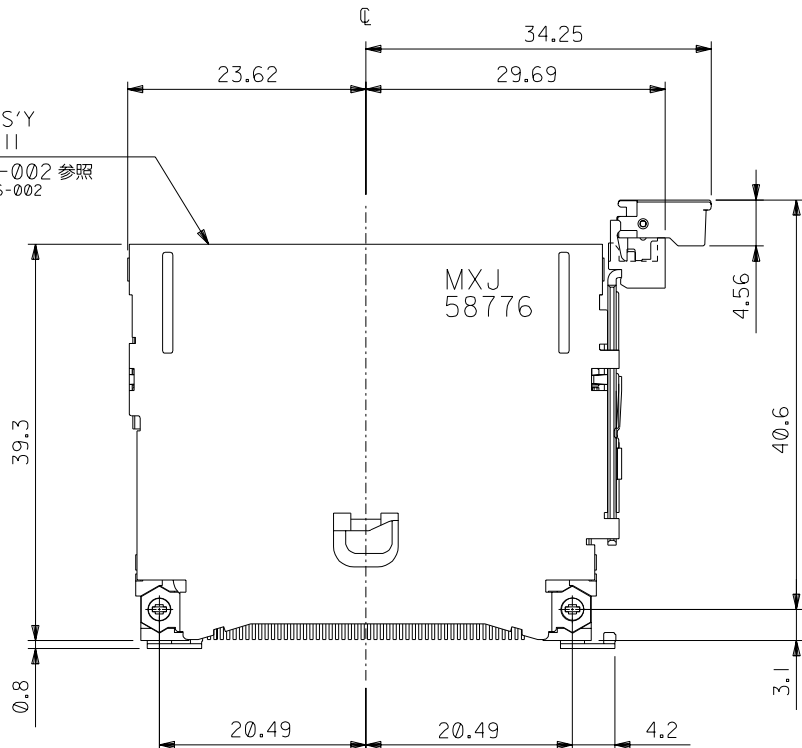


REFERENCE USE ONLY

NORMAL MOUNT TYPE  
(55358-5021 & 55356-0011)



SHELL ASS'Y  
55356-0011  
SD-55356-002 参照  
SEE SD-55356-002

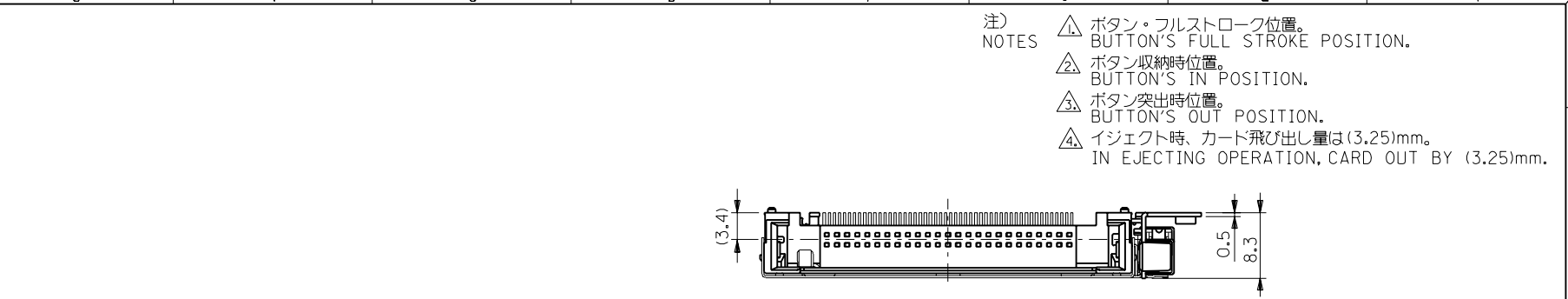


MXJ  
58776

CF CARD

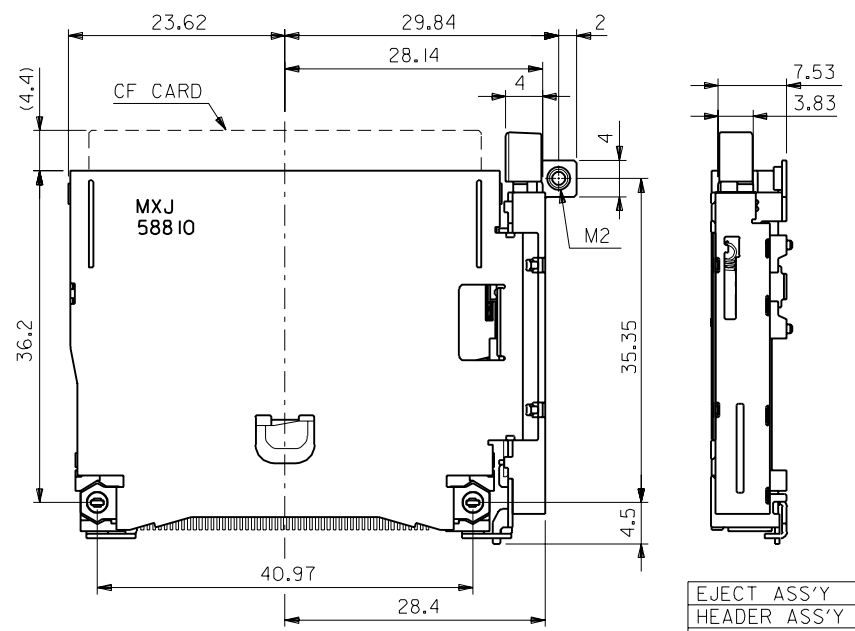
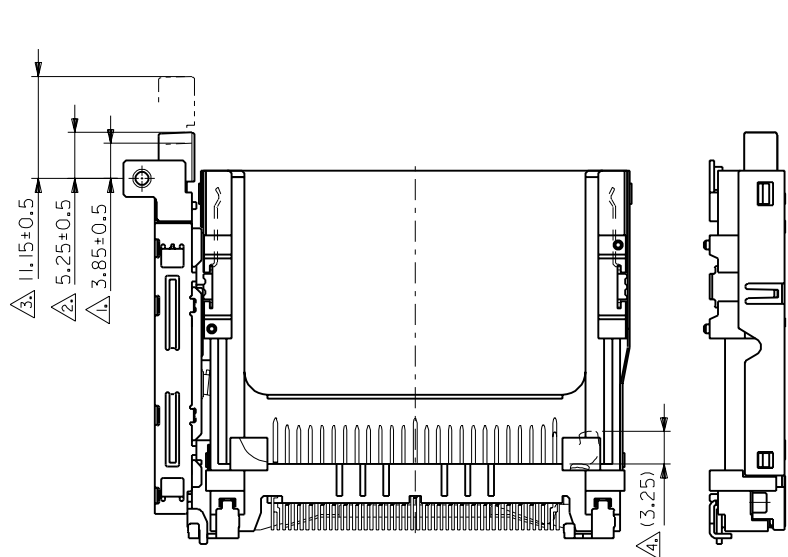
DO NOT SCALE DRAWING

EC NO. DRWN: CHK: APPR:				EC NO. DRWN: CHK: APPR:				EC NO. DRWN: CHK: APPR:				EC NO. DRWN: CHK: APPR:				SEE SHEET 1 OF 3 EC NO. DRWN: CHK: APPR:				MATERIAL 材料				GENERAL TOLERANCES: (UNLESS SPECIFIED) 一般公差				SCALE 2 - 1				DESIGN UNITS <input checked="" type="checkbox"/> mm <input type="checkbox"/> INCH				THIRD ANGLE PROJECTION				DIMENSIONS: <input type="checkbox"/> mm <input type="checkbox"/> INCH <input checked="" type="checkbox"/> mm ONLY				SHT REV											
FINISH 仕上り				WIRE RANGE 適用電線範囲				INS. RANGE 被覆外径				10 UNDER 未満				10 OVER 30 UNDER 以上 未満				30 OVER 以上				ANGLE 角度				DRAWN BY & DATE T. Hamura '02/06/17				CHECKED BY & DATE H. Sato '02/06/17				APPROVED BY & DATE [Signature] '02/06/17				CAD FILENAME SD-55358-011.S03				MATERIAL NO. -				DRAWING NO. SD-55358-011				SHEET NO. 3			
TITLE: CF CARD CONN. 50P HEADER ASS'Y (TYPE I/II,NORMAL)																								MOLEX INCORPORATED				THIS DRAWING CONTAINS INFORMATION THAT IS PROPRIETARY TO MOLEX INCORPORATED AND SHOULD NOT BE USED WITHOUT WRITTEN PERMISSION.				SIZE B																							



注) NOTES

- △1 ボタン・フルストローク位置。  
BUTTON'S FULL STROKE POSITION.
- △2 ボタン収納時位置。  
BUTTON'S IN POSITION.
- △3 ボタン突出時位置。  
BUTTON'S OUT POSITION.
- △4 イジェクト時、カード飛び出し量は(3.25)mm。  
IN EJECTING OPERATION, CARD OUT BY (3.25)mm.



EJECT ASS'Y	55364-0011
HEADER ASS'Y	55358-5021

MATERIAL No.

DIMENSIONS:		SHT	REV
<input type="checkbox"/> mm	<input type="checkbox"/> INCH	<input checked="" type="checkbox"/> mm ONLY	REVISE ON CAD ONLY

EC NO. DRWN: CHK: APPR:	EC NO. DRWN: CHK: APPR:	REVISED EC NO. JD2000-1126 DRWN: THIRATA '99/07/31 CHK: MSASAO '99/07/31 APPR: HIKESUGI '99/07/31	REVISED EC NO. JD00137 DRWN: THIRATA '99/07/31 CHK: MSASAO '99/07/31 APPR: HIKESUGI '99/07/31	RELEASED EC NO. JD90360 DRWN: THIRATA '98/09/08 CHK: MSASAO '98/09/08 APPR: HIKESUGI '98/09/08
B	A			O

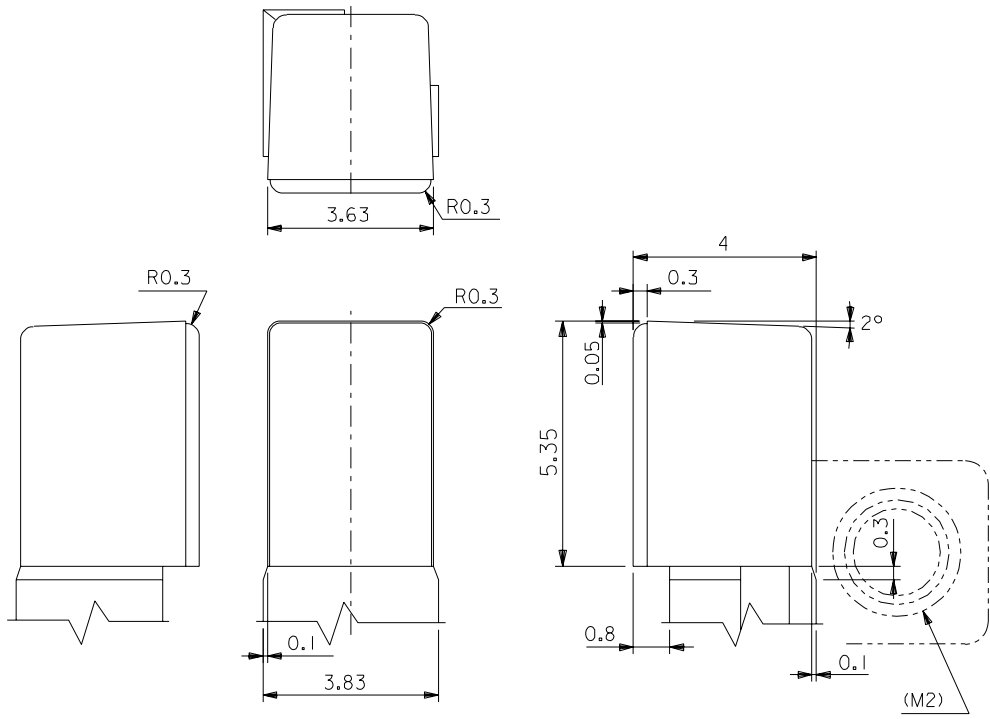
MATERIAL 材料	—
FINISH 仕上げ	—
WIRE RANGE 通所面積範囲	—
INS. RANGE 被覆外径	—

GENERAL TOLERANCES: (UNLESS SPECIFIED) 一般公差	
10 UNDER 未満	+0.2
10 OVER 以上	+0.25
30 UNDER 未満	
30 OVER 以上	+0.3
ANGLE 角度	+3°

SCALE 2 - 1	DESIGN UNITS <input checked="" type="checkbox"/> mm <input type="checkbox"/> INCH
DRAWN BY & DATE <i>T. Hirata</i> '98/09/08	TITLE: CF CARD CONN. EJECT MECHANISM (TYPE I/II, NORMAL)
CHECKED BY & DATE <i>H. Saito</i> '98/09/08	APPROVED BY & DATE <i>H. Saito</i> '98/09/08
CAD FILENAME 55364003.SOI	MATERIAL NO. SEE TABLE

MOLEX INCORPORATED		DRAWING NO. SD-55364-003	SHEET NO. 1 OF 3
THIS DRAWING CONTAINS INFORMATION THAT IS PROPRIETARY TO MOLEX INCORPORATED AND SHOULD NOT BE USED WITHOUT WRITTEN PERMISSION.		SIZE B	EN-02J(097) MXJ-54





ボタン詳細寸法  
DETAIL OF BUTTON

DO NOT SCALE DRAWING

EC NO. DRWN: CHK: APPR:	EC NO. DRWN: CHK: APPR:	EC NO. DRWN: CHK: APPR:	EC NO. DRWN: CHK: APPR:	EC NO. DRWN: CHK: APPR:	REV DESCRIPTION	MATERIAL 材料	GENERAL TOLERANCES: (UNLESS SPECIFIED) 一般公差	SCALE 10-1	DESIGN UNITS <input checked="" type="checkbox"/> mm <input type="checkbox"/> INCH	DIMENSIONS: <input type="checkbox"/> mm <input type="checkbox"/> INCH <input checked="" type="checkbox"/> mm ONLY	THIRD ANGLE PROJECTION	SHT	REV	
						FINISH 仕上り		10 UNDER 未満	+0.2			DRAWN BY & DATE <i>T. Kizata</i> '98/09/08	TITLE: CF CARD CONN. EJECT MECHANISM (TYPE I/II, NORMAL)	REVISE ON CAD ONLY
						WIRE RANGE 適用範囲線影		10 OVER 以上	+0.25			CHECKED BY & DATE <i>H. Saito</i> '98/09/08		
						INS. RANGE 被覆外径		30 UNDER 未満	+0.3			APPROVED BY & DATE <i>H. Saito</i> '98/09/08		
	30 OVER 以上	+0.3	CAD FILENAME 55364003.S03	MATERIAL NO. —	DRAWING NO. SD-55364-003	SHEET NO. 3								
								ANGLE 角度	+3°	MOLEX INCORPORATED		SIZE B		
								THIS DRAWING CONTAINS INFORMATION THAT IS PROPRIETARY TO MOLEX INCORPORATED AND SHOULD NOT BE USED WITHOUT WRITTEN PERMISSION.				EN-02J(097) MXJ-54		

A  
55364003.S03