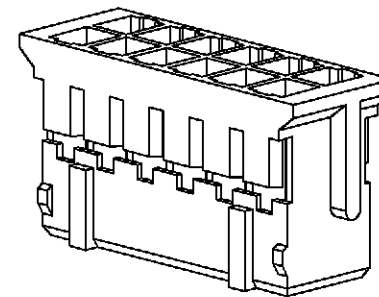
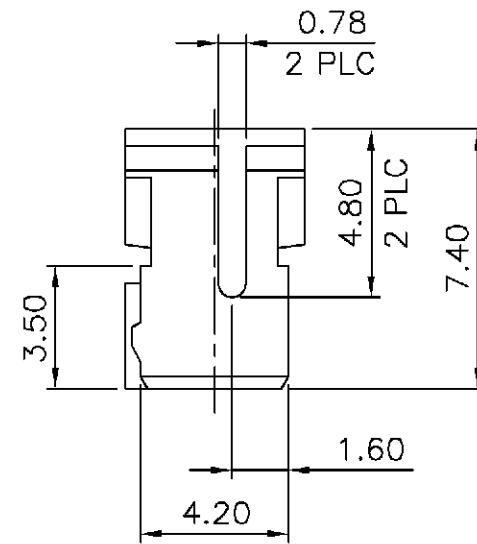


NOTE:

1. MATERIAL :  
HOUSING : THERMOPLASTIC UL94V-0, WHITE COLOR.

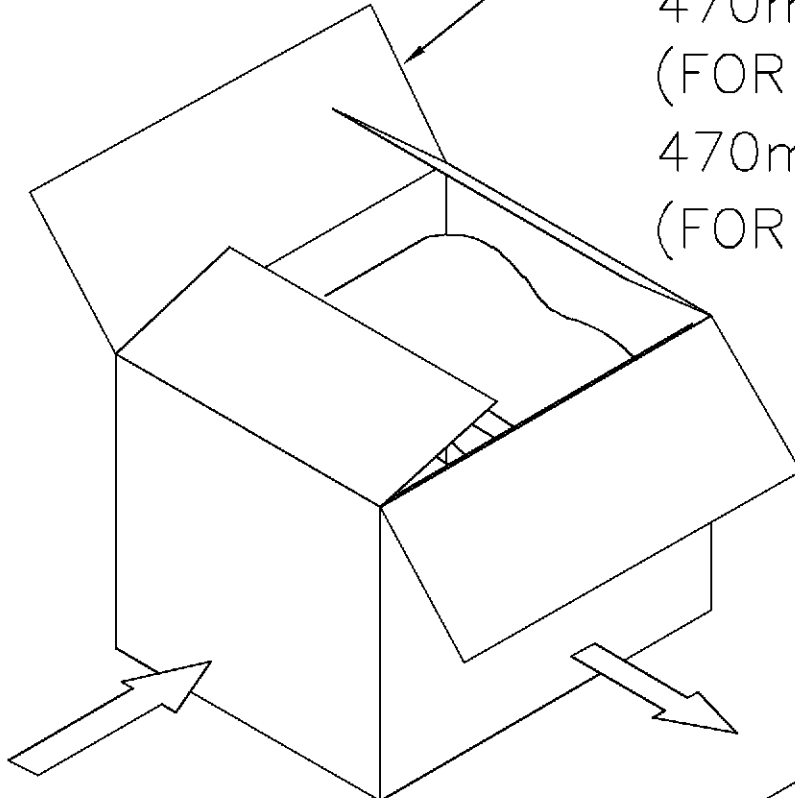
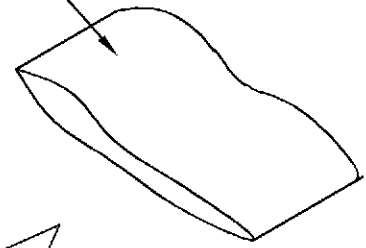
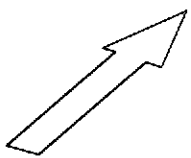
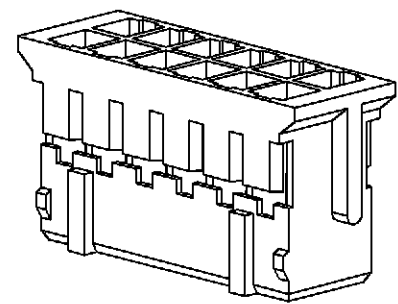


34.0	32.5	30.0	32	3-1470107-2
32.0	30.5	28.0	30	3-1470107-0
30.0	28.5	26.0	28	2-1470107-8
28.0	26.5	24.0	26	2-1470107-6
26.0	24.5	22.0	24	2-1470107-4
24.0	22.5	20.0	22	2-1470107-2
22.0	20.5	18.0	20	2-1470107-0
20.0	18.5	16.0	18	1-1470107-8
18.0	16.5	14.0	16	1-1470107-6
16.0	14.5	12.0	14	1-1470107-4
14.0	12.5	10.0	12	1-1470107-2
12.0	10.5	8.0	10	1-1470107-0
10.0	8.5	6.0	8	1470107-8
8.0	6.5	4.0	6	1470107-6
DIM C	DIM B	DIM A	POS.	PART NUMBER

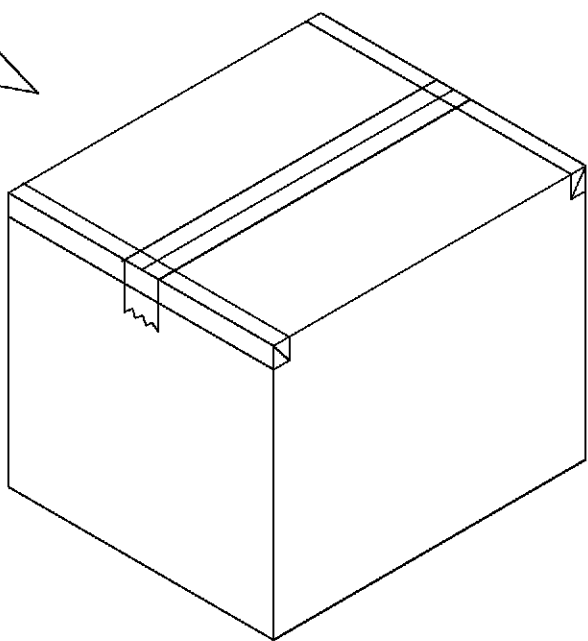
DIMENSION : 0 PLC ± 1 PLC ±0.30 2 PLC ±0.20 3 PLC ±0.10 ANGLES ±	DWN	O. HU				
		12-AUG-2003				
MATERIAL	CHK	A. WU	NAME 2.0 MM PITCH CRIMP HOUSING			
		12-AUG-2003				
SEE NOTE	APVD	J. CHENG	PRODUCT SPEC 108-57217			
		12-AUG-2003				
FINISH	QUALIFICATION TEST REPORT	501-57218	LOC	SIZE	DRAWING NO	REV
	SEE NOTE		DW	A <sub>3</sub>	C-1470107	A1
	WEIGHT		SCALE		SHEET	1 OF 2

A1	REVISION RECORD	REVISD PER ECO-11-005301	RK HMR	5APR11
LTR		ECO	DWN CHK	DATE

POLY BAG



CARTON  
 470mm(L)X 340 mm(W)X 178mm(H)  
 (FOR P/N 0-1470107-6~1-1470106-6)  
 470mm(L)X 340 mm(W)X 365mm(H)  
 (FOR P/N 1-1470107-8~3-1470106-2)



20,000	1000	3-1470107-2
20,000	1000	3-1470107-0
20,000	1000	2-1470107-8
24,000	1000	2-1470107-6
26,000	1000	2-1470107-4
30,000	1000	2-1470107-2
30,000	1000	2-1470107-0
36,000	1000	1-1470107-8
20,000	1000	1-1470107-6
20,000	1000	1-1470107-4
25,000	1000	1-1470107-2
30,000	1000	1-1470107-0
40,000	1000	1470107-8
50,000	1000	1470107-6
APQ (PCS/CARTON)	PPQ (PCS/BAG)	PART NUMBER

DIMENSION : 0 PLC ± 1 PLC ± 2 PLC ± 3 PLC ± ANGLES ±'	DWN	O. HU	TE Connectivity			
		12-AUG-2003				
MATERIAL  SEE NOTE	CHK	A. WU	NAME  2.0 MM PITCH CRIMP HOUSING			
		12-AUG-2003				
FINISH  SEE NOTE	APVD	J. CHENG	LOC	SIZE	DRAWING NO	REV
		12-AUG-2003	DW	A <sub>3</sub>	C-1470107	A1
	PRODUCT SPEC		SCALE		SHEET	
	APPLICATION SPEC		--		2 OF 2	
	WEIGHT					

LTR	REVISION RECORD	SEE SHEET 1.	ECO	DWN	CHK	DATE
-----	-----------------	--------------	-----	-----	-----	------