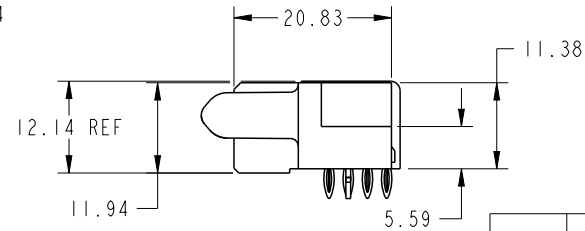
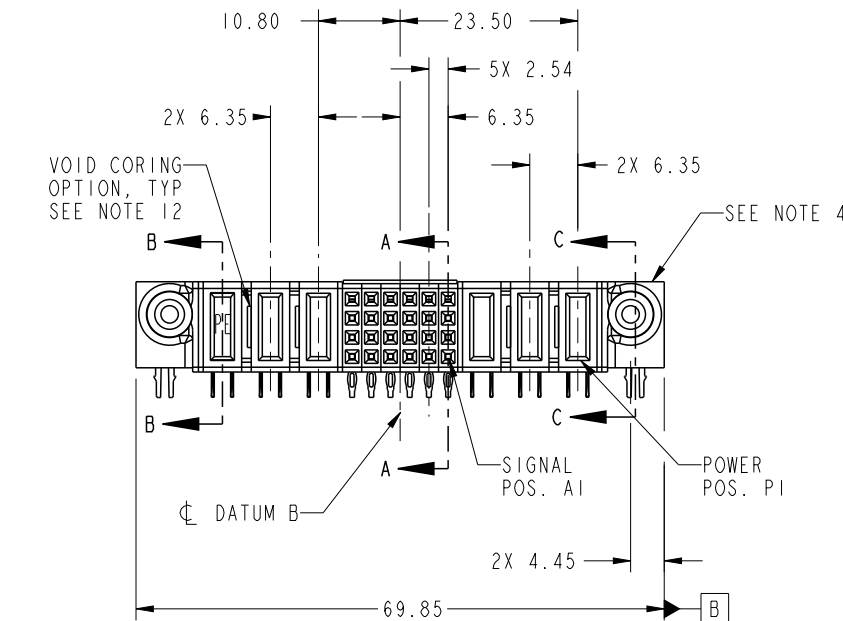


PRODUCT NO.	ROWS	POWER			SIGNAL						POWER				
51770-045-- NOTE 3	D C B A	E2	P6	P5	P4	6	5	4	3	2	1	P3	P2	P1	E1



CODE	DIM "M" MATING LENGTH	CONTACT TYPE
PF	[2.34]	POWER
S	[N/A]	SIGNAL
R	[N/A]	SIGNAL
P	[N/A]	SIGNAL
N	[N/A]	SIGNAL
HA	[N/A]	HOLD-DOWN
PE	[1.07]	POWER



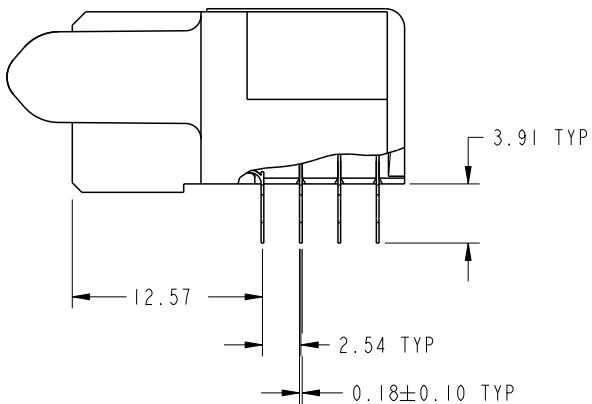
Copyright FCI.

spec ref	*	dr	X Q Wang	2011/04/02	projection	MM	size	A4	scale	1:1	
tolerance std	SEE NOTE	eng	Anson Liu	2011/08/25		←→	ecn no	-	rel level	Released	
TOLERANCES UNLESS OTHERWISE SPECIFIED		chr	-	-							
surface	✓	appr	Pei-Ming Zheng	2011/08/25	product family	PwrBlade					
linear	0.X	±0.5		title	3P + 24S + 3P		dwg no	51770-045		rev	A
	0.XX	±0.25			R/A PRESS-FIT RECEPTACLE						
	0.XXX	±0.1									
angular	0°	±2°	www.fci.com	cat. no.	*	Product - Customer Drw	sheet 1 of 4				

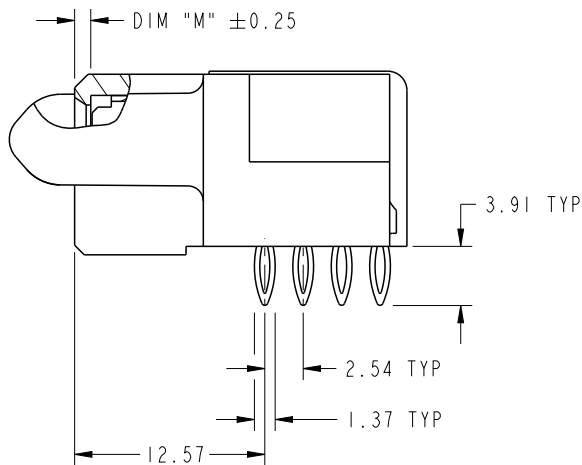
PrdE File - REV C - 2009-06-09

PRODUCT NUMBER

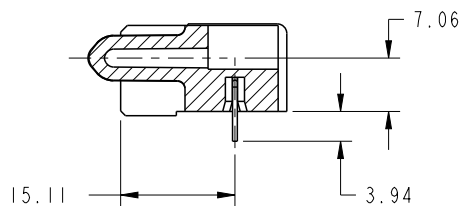
51770-045_
NOTE 3



BROKEN-OUT SECTION A-A
SCALE 2:1



BROKEN-OUT SECTION B-B
SCALE 2:1

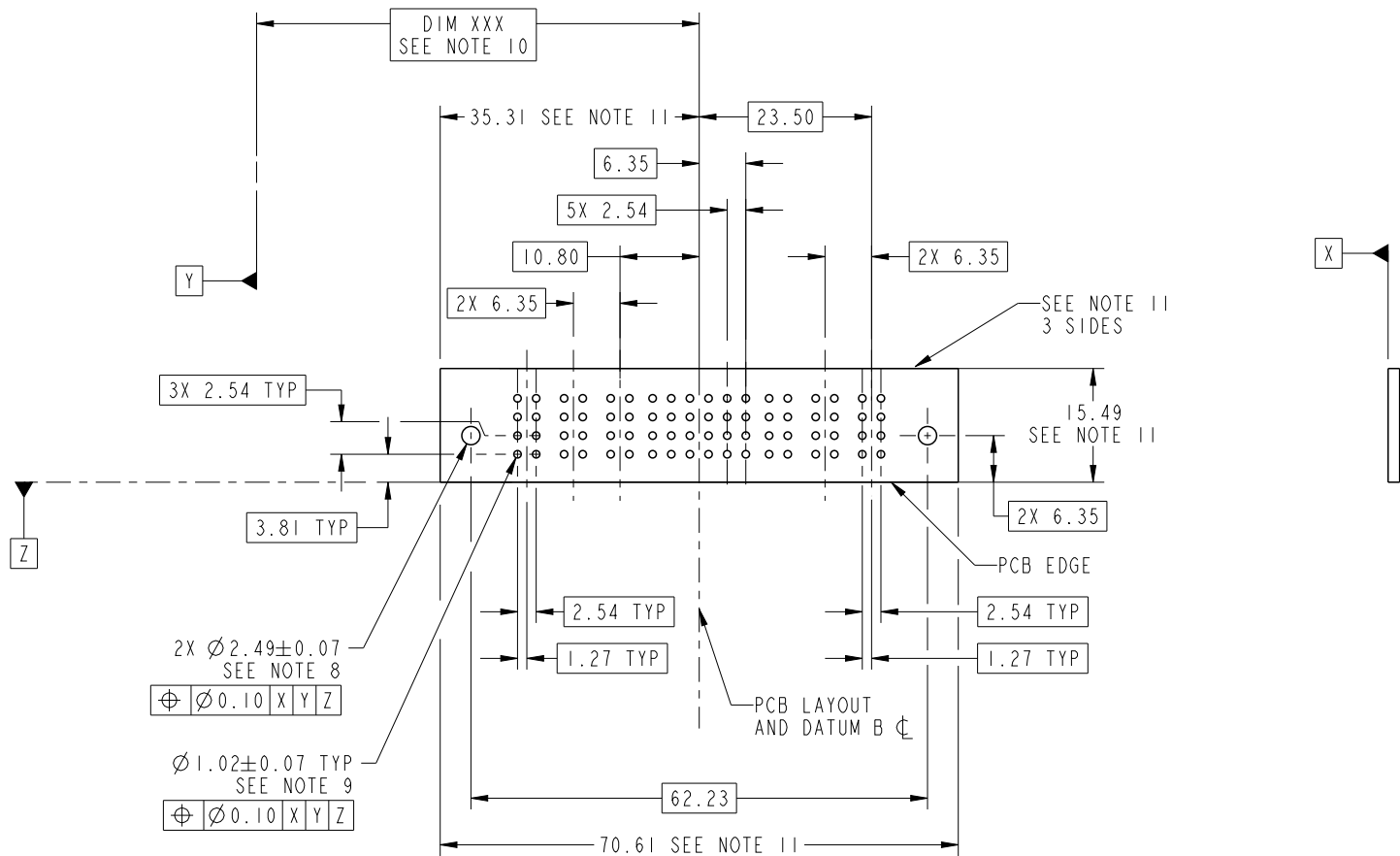


SECTION C-C

spec ref	*	dr	X Q Wang	2011/04/02	projection	MM	size	A4	scale	1:1
tolerance std	TOLERANCES UNLESS OTHERWISE SPECIFIED	eng	Anson Liu	2011/08/25			ecn no	-	rel level	Released
SEE NOTE		chr	-	-						
surface		appr	Pei-Ming Zheng	2011/08/25						
linear	0.X	±0.5		title 3P + 24S + 3P R/A PRESS-FIT RECEPTACLE	dwg no 51770-045	rev A				
	0.XX	±0.25								
	0.XXX	±0.1								
angular	0°	±2°	www.fci.com	cat. no.	*	Product - Customer Drw	sheet 2 of 4			

PRODUCT NUMBER

51770-045_
NOTE 3



RECOMMENDED PCB LAYOUT

spec ref	*	dr	X Q Wang	2011/04/02	projection	MM	size	A4	scale	1:1																				
tolerance std	TOLERANCES UNLESS OTHERWISE SPECIFIED	eng	Anson Liu	2011/08/25				ecn no	-																					
SEE NOTE		chr	-	-				product family	PwrBlade	rel level	Released																			
surface	<table border="1"> <tr> <td rowspan="3">linear</td> <td>0.X</td> <td>±0.5</td> </tr> <tr> <td>0.XX</td> <td>±0.25</td> </tr> <tr> <td>0.XXX</td> <td>±0.1</td> </tr> <tr> <td>angular</td> <td>0°</td> <td>±2°</td> </tr> </table>	linear	0.X	±0.5	0.XX	±0.25	0.XXX	±0.1	angular	0°	±2°		<table border="1"> <tr> <td>title</td> <td>3P + 24S + 3P</td> <td>dwg no</td> <td>51770-045</td> <td>rev</td> <td>A</td> </tr> <tr> <td></td> <td>R/A PRESS-FIT RECEPTACLE</td> <td></td> <td></td> <td></td> <td></td> </tr> </table>	title	3P + 24S + 3P	dwg no	51770-045	rev	A		R/A PRESS-FIT RECEPTACLE					<table border="1"> <tr> <td>cat. no.</td> <td>*</td> <td>Product - Customer Drw</td> <td>sheet 3 of 4</td> </tr> </table>	cat. no.	*	Product - Customer Drw	sheet 3 of 4
linear	0.X		±0.5																											
	0.XX		±0.25																											
	0.XXX	±0.1																												
angular	0°	±2°																												
title	3P + 24S + 3P	dwg no	51770-045	rev	A																									
	R/A PRESS-FIT RECEPTACLE																													
cat. no.	*	Product - Customer Drw	sheet 3 of 4																											

PRODUCT NUMBER

51770-045--
NOTE 3

NOTES:

1. DIMENSIONS AND TOLERANCES ARE IN ACCORDANCE WITH ASME Y14.5M, 1994 UNLESS OTHERWISE SPECIFIED.

CONNECTOR NOTES:

- 2. HOUSING MATERIAL: UL 94 V-0 GLASS FILLED HIGH-TEMP THERMOPLASTIC
POWER CONTACT MATERIAL: COPPER ALLOY
SIGNAL PIN MATERIAL: COPPER ALLOY
- 3. SEE ITEM 7 & 8 IN PRINT 10064183 FOR PLATING SPEC OF 51770-045 AND 51770-045LF RESPECTIVELY.
- 4. MANUFACTURER'S NAME, P/N, AND DATE CODE TO APPEAR ON THIS SURFACE.
- 5. PRODUCT SPECIFICATION GS-12-149.
APPLICATION SPECIFICATION BUS-20-067.
- 6. PACKAGED IN TRAYS.

PCB NOTES:

- 7. ALL HOLE DIAMETERS ARE FINISHED HOLE SIZE.
- 8. MOUNTING HOLES, WHERE APPLICABLE, ARE UNPLATED.
- 9. $\varnothing 1.151 \pm 0.025$ DRILLED HOLES PLATED WITH
0.008 MIN SnPb OR Sn OVER 0.03
TO 0.08 Cu PLATING TO ACHIEVE
 $\varnothing 1.02 \pm 0.07$ HOLE.
- 10. "DIM XXX" TO BE DETERMINED BY THE CUSTOMER.
- 11. CONNECTOR KEEP-OUT ZONE.
- 12. THE VOID CORING IN BETWEEN POWER MODULES, SIGNAL MODULES AND END MODULES ARE OPTIONAL AND THE SHAPE MAY BE DIFFERENT FOR OPTIMIZE THE MOLDING PROCESS. THE VOID CORING WILL NOT EFFECT TO PRODUCT FUNCTION.
- 13. USE FCI CAM TOOL 430140-XXX TO APPLY CONNECTOR TO PCB.

spec ref *		dr	X Q Wang	2011/04/02	projection 	MM 	size	A4	scale	1:1
tolerance std SEE NOTE	TOLERANCES UNLESS OTHERWISE SPECIFIED	eng	Anson Liu	2011/08/25			ecn no	-		
		chr	-	-						
		appr	Pei-Ming Zheng	2011/08/25	product family	PwrBlade	rel level	Released		
surface <input checked="" type="checkbox"/>	linear	0.X	± 0.5		title	3P + 24S + 3P R/A PRESS-FIT RECEPTACLE	dwg no	51770-045	rev	A
		0.XX	± 0.25							
		0.XXX	± 0.1							
	angular	0°	$\pm 2^\circ$	www.fci.com	cat. no.	*	Product - Customer Drw	sheet 4 of 4		



Copyright FCI.