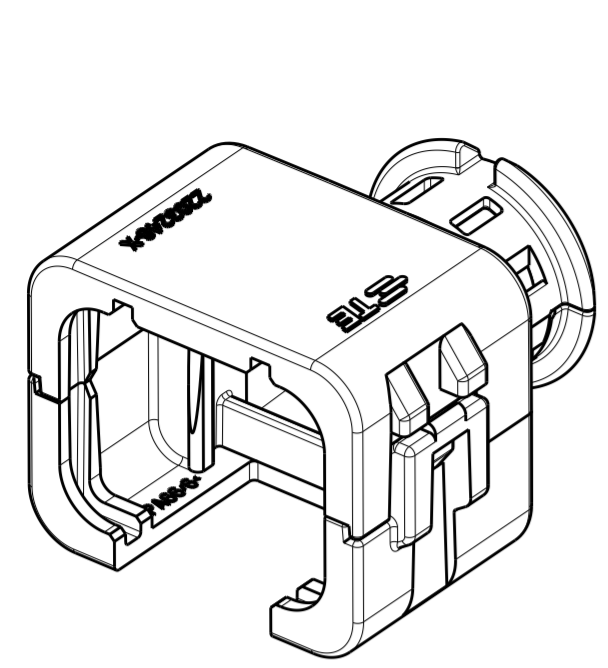
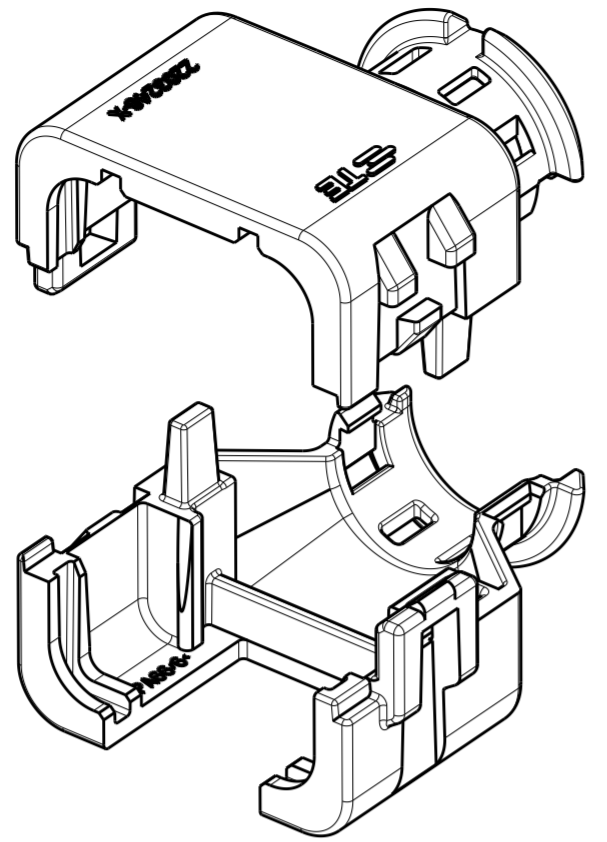


THIS DRAWING IS UNPUBLISHED. RELEASED FOR PUBLICATION 20  
 © COPYRIGHT 20 BY - ALL RIGHTS RESERVED.

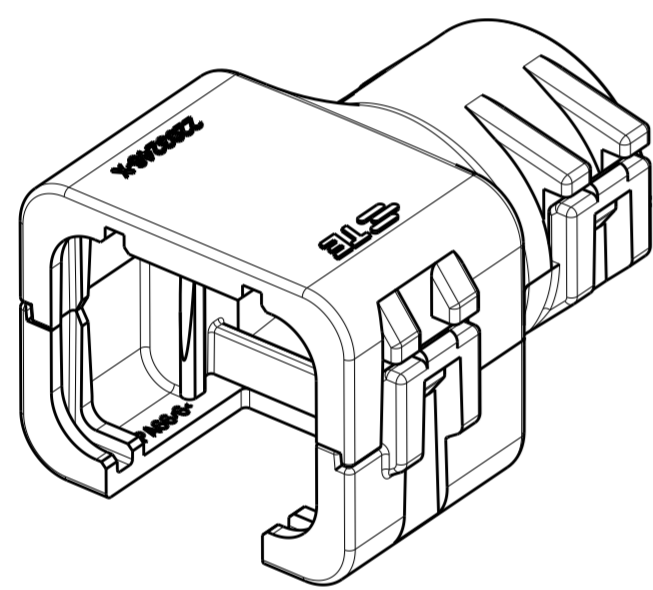
REVISIONS				
P	LTR	DESCRIPTION	DATE	APVD
A		RELEASED PER ECO-15-010501	17JUL2015	JM RB
A1		REV PER ECO-16-008350	02JUN2016	JM RB
A2		REV PER ECO-16-013256	08SEP2016	JM RB



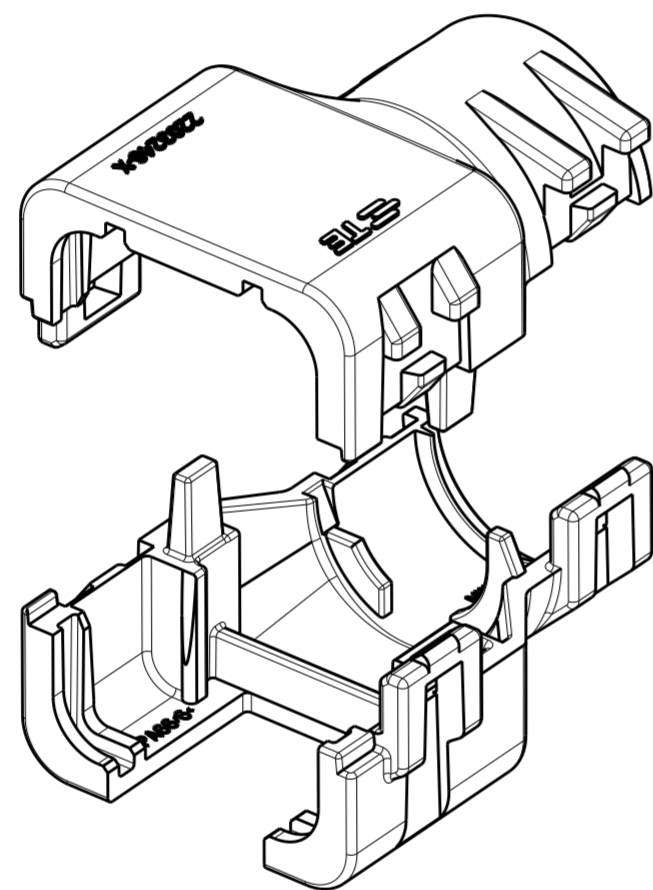
2292800-1  
ASSEMBLED ISOMETRIC VIEW SHOWN



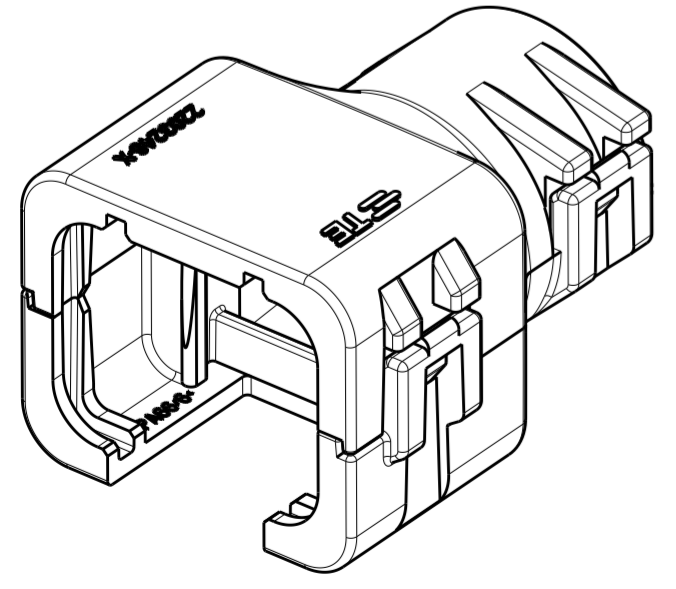
2292800-1  
EXPLODED ISOMETRIC VIEW SHOWN



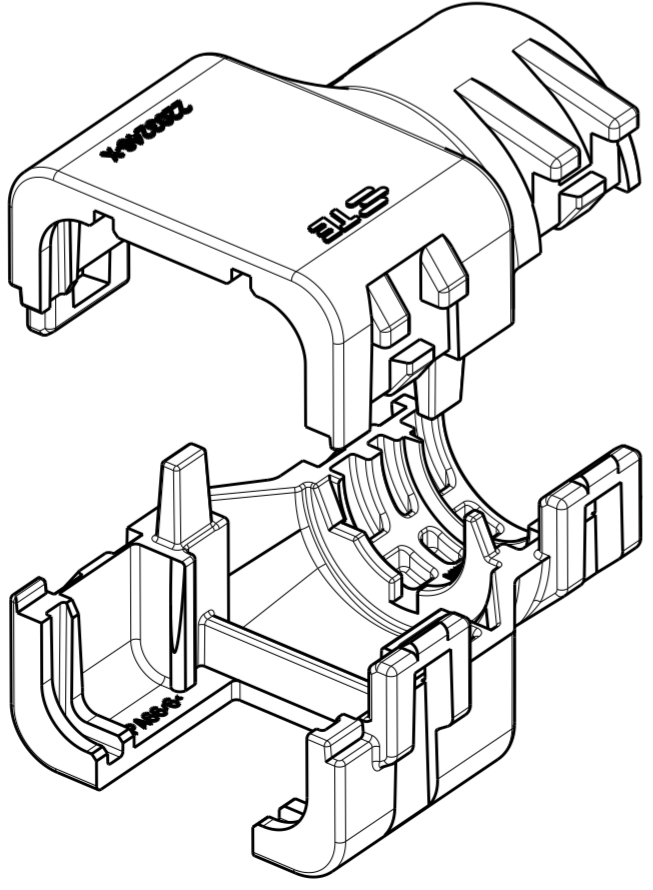
2292800-2  
ASSEMBLED ISOMETRIC VIEW SHOWN



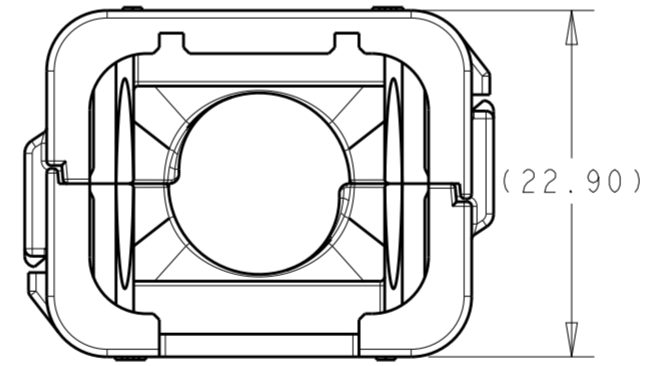
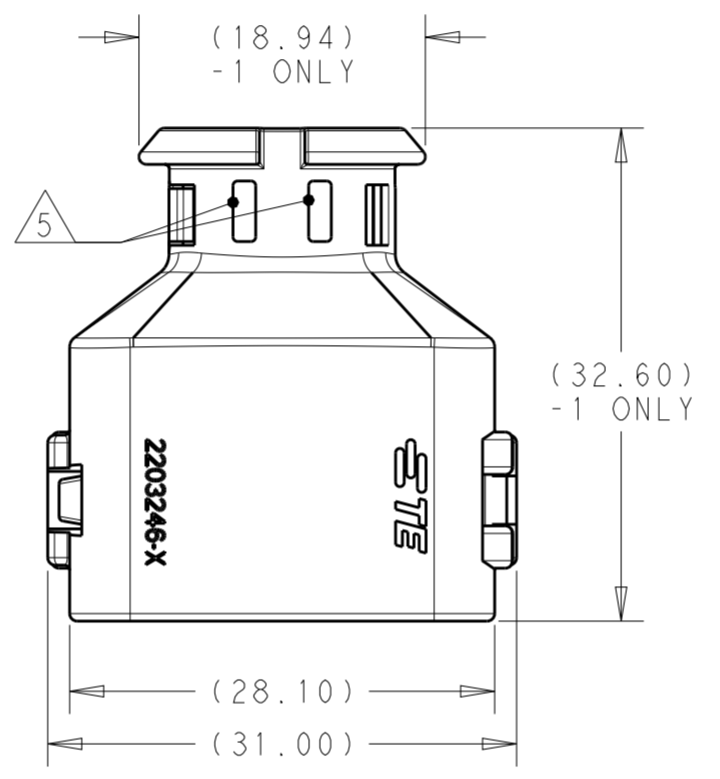
2292800-2  
EXPLODED ISOMETRIC VIEW SHOWN



2292800-3  
ASSEMBLED ISOMETRIC VIEW SHOWN

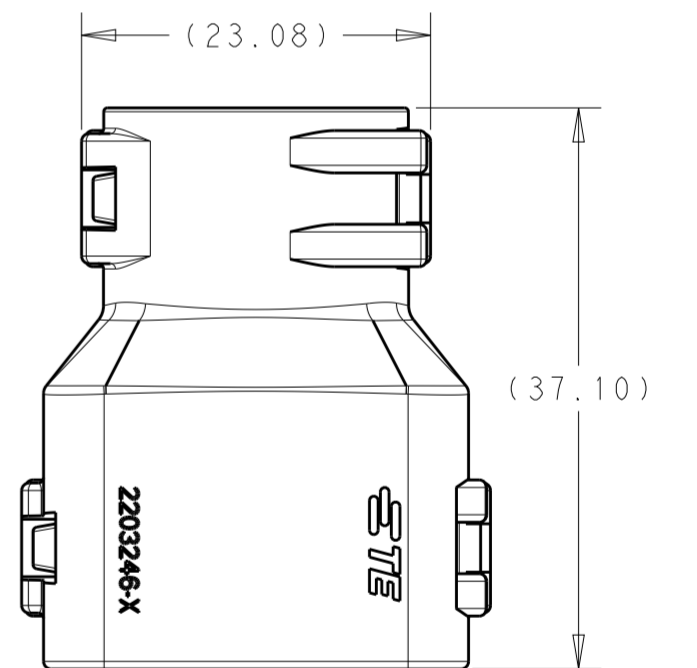
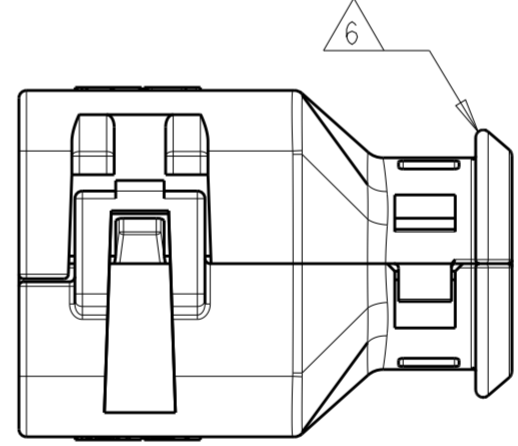


2292800-3  
EXPLODED ISOMETRIC VIEW SHOWN



2292800-1  
ASSEMBLED VIEW SHOWN

DIMENSIONS SHOWN TYPICAL FOR ALL PART NUMBERS EXCEPT AS NOTED



2292800-2  
ASSEMBLED VIEW SHOWN

DIMENSIONS SHOWN TYPICAL FOR -2 AND -3 ONLY



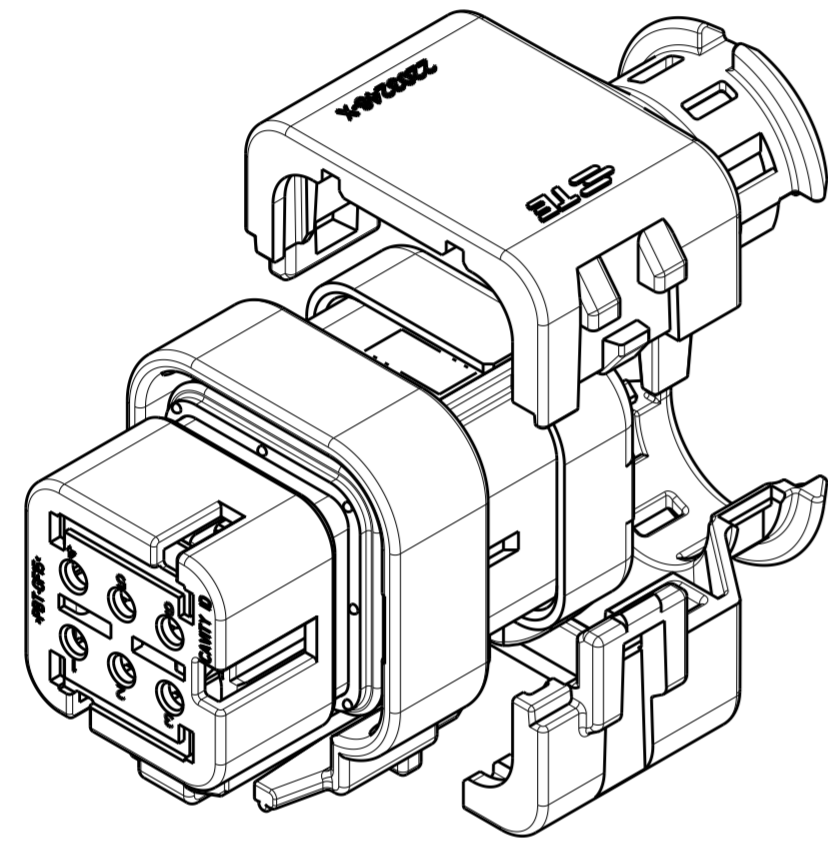
- 1 MATERIAL: NYLON MOLDING COMPOUND, BLACK, PA66/6.
- 2 BACKSHELL DESIGNED SUCH THAT TWO HALVES ATTACH TO ONE ANOTHER AND CLAMP AROUND THE CONNECTOR COVER.
- 3 DIMENSIONS TO BE MEASURED WHEN BACKSHELLS ASSEMBLED.
- 4 PRODUCT WEIGHTS:  
2292800-1: 5.00g ASSEMBLED  
2292800-2: 6.37g ASSEMBLED  
2292800-3: 6.95g ASSEMBLED
- 5 4mm WIDE SLOTS FOR TIE WRAP TO SECURE HARNESS WIRES (-1 ONLY).
- 6 HEAT SHRINK TUBING RETENTION FEATURE (-1 ONLY).
- 7. INSTRUCTION SHEET: 408-151043.
- 8. CONDUIT PROFILE: NORMAL ONLY

776433-X	NC12	NW10	2292800-3
776531-X	NC16	NW13	2292800-2
	SMOOTH	SMOOTH	2292800-1
FITS ON PLUG ASSY	CORREGATE NC	CORREGATE NW	PART NUMBER
	CONDUIT SIZE		

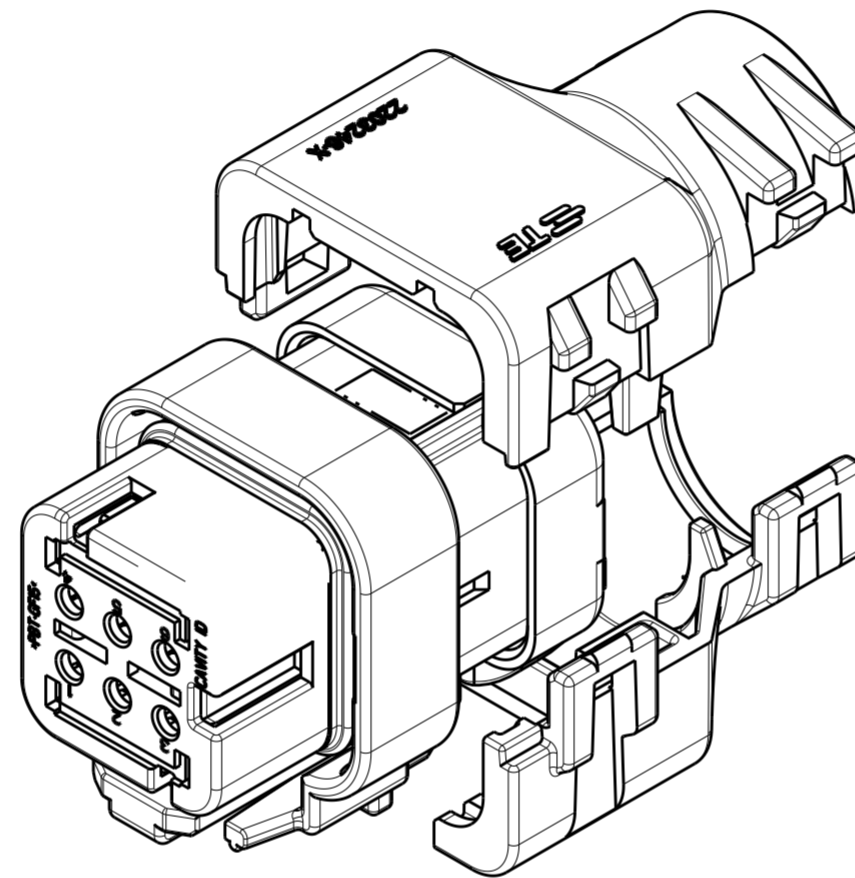
THIS DRAWING IS A CONTROLLED DOCUMENT.		DWN J MCNEAL 07MAY2015	<b>STE</b> TE Connectivity	
DIMENSIONS: mm [INCHES]		CHK R BALTER 07MAY2015		
TOLERANCES UNLESS OTHERWISE SPECIFIED:		APVD R BALTER 07MAY2015	NAME BACKSHELL KIT, 6 POSITION PLUG ASSY, AMPSEAL 16	
0 PLC ±	1 PLC ±	PRODUCT SPEC 108-151043	SIZE	RESTRICTED TO
2 PLC ±	3 PLC ±	APPLICATION SPEC	CAGE CODE	
4 PLC ±	ANGLES ±	WEIGHT	DRAWING NO	
FINISH		A2 00779	SCALE	
MATERIAL		CUSTOMER DRAWING	SHEET	
			2:1	
			1 OF 2	
				REV A2

THIS DRAWING IS UNPUBLISHED. RELEASED FOR PUBLICATION 20  
 © COPYRIGHT 20 BY - ALL RIGHTS RESERVED.

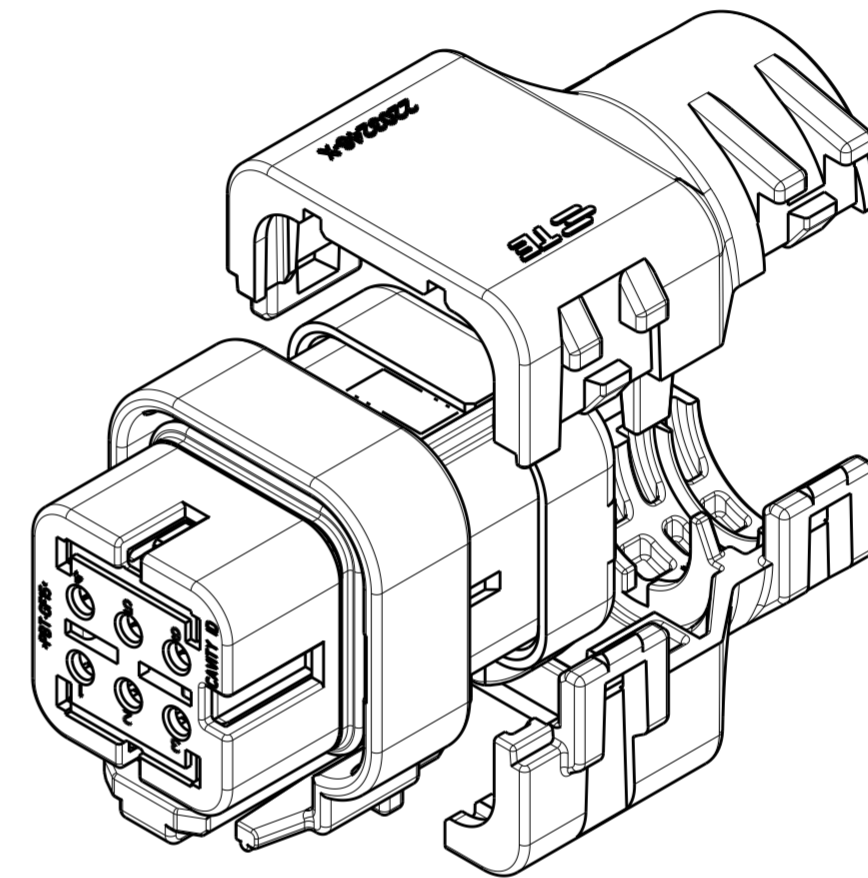
REVISIONS				
P	LTR	DESCRIPTION	DATE	APVD
-		SEE SHEET 1	-	-



2292800-1  
WITH PLUG ASSEMBLY  
EXPLODED ISOMETRIC VIEW SHOWN


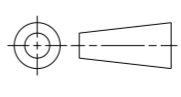


2292800-2  
WITH PLUG ASSEMBLY  
EXPLODED ISOMETRIC VIEW SHOWN



2292800-3  
WITH PLUG ASSEMBLY  
EXPLODED ISOMETRIC VIEW SHOWN



THIS DRAWING IS A CONTROLLED DOCUMENT.		DWN J. MCNEAL 07MAY2015	 TE Connectivity	
DIMENSIONS: mm [INCHES]		CHK R. BALTER 07MAY2015		
TOLERANCES UNLESS OTHERWISE SPECIFIED:		APVD R. BALTER 07MAY2015	NAME BACKSHELL KIT, 6 POSITION PLUG ASSY, AMPSEAL 16	
		PRODUCT SPEC 108-151043	RESTRICTED TO	
MATERIAL		APPLICATION SPEC	SIZE A200779	CAGE CODE C-2292800
FINISH		WEIGHT	DRAWING NO G-2292800	
		CUSTOMER DRAWING	SCALE 2:1	SHEET 2 OF 2
			REV A2	