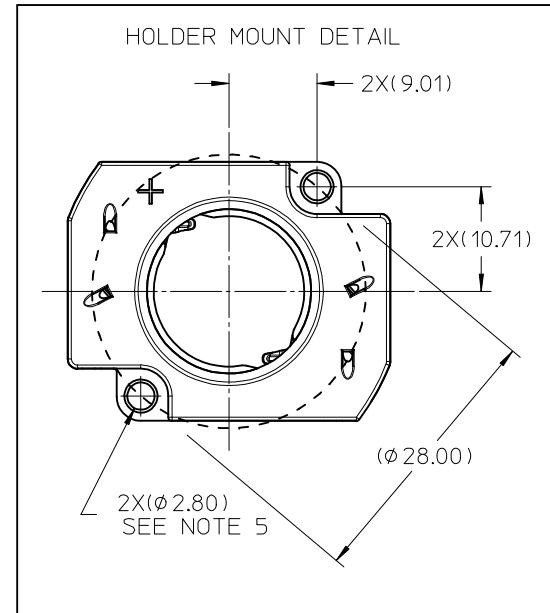
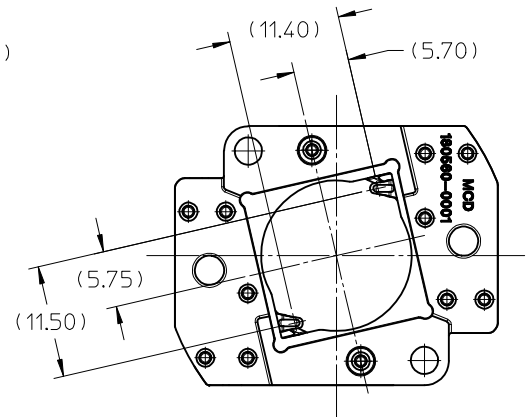
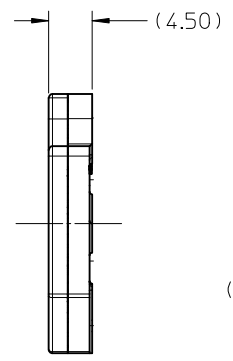
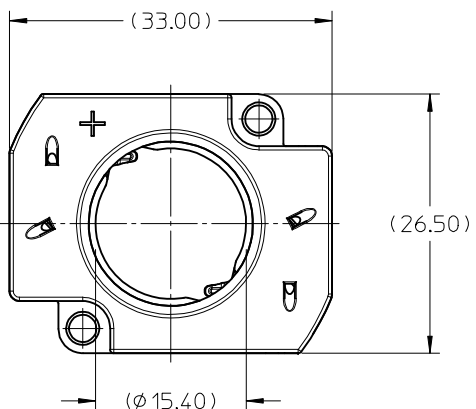
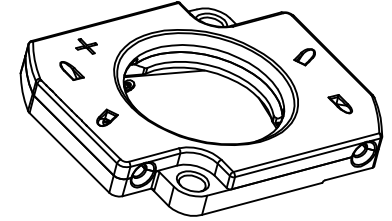


PART NUMBER	DESCRIPTION	MATERIAL	COLOR
180560-0001	LED HOLDER - PBT	POLYESTER, GLASS FILLED	WHITE
180560-0101	LED HOLDER - NYLON	POLYAMIDE, GLASS FILLED	NATURAL
180560-0002	LED HOLDER w/PRE-HOLD - PBT	POLYESTER, GLASS FILLED	WHITE
180560-0102	LED HOLDER w/PRE-HOLD - NYLON	POLYAMIDE, GLASS FILLED	NATURAL



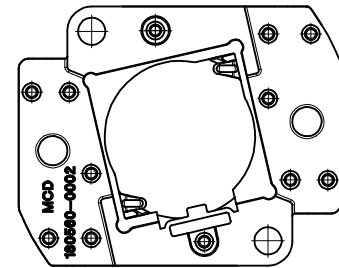
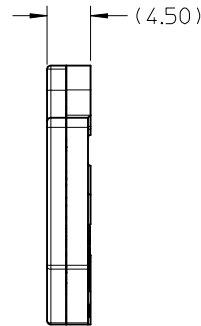
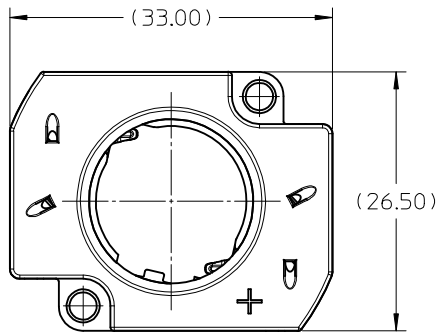
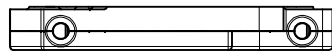
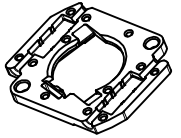
- NOTES:
- 1) MATERIALS: SEE CHART.
  - 2) WIRE TRAP TERMINALS: COPPER ALLOY.  
a. FINISH: SELECTIVE GOLD OVER NICKEL.
  - 3) THIS PRODUCT IS ELV AND ROHS COMPLIANT.
  - 4) APPLICABLE WIRE GAUGE - 18 OR 22 AWG  
a. SOLID WIRE IS RECOMMENDED.  
b. IF STRANDED WIRE IS USED, PRE-TINNED IS RECOMMENDED.  
c. 11.0mm±1.0mm STRIP LENGTH IS RECOMMENDED.
  - 5) MOUNT HOLDER USING M2.5 SCREWS (2); 0.40 MIN - 0.80 MAX NEWTON METERS TORQUE.
  - 6) ALL DIMENSIONS IN PARENTHESES "(X.XX)" ARE FOR REFERENCE ONLY.
  - 7) UL:0LFB2 UL496 FILE: E345583.

180560-0001  
180560-0101

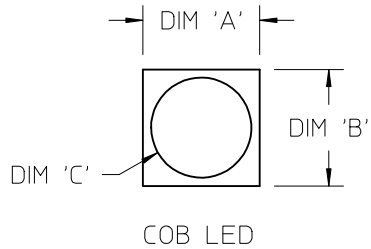
<b>ENTER DESCRIPTION</b> EC NO: SSL2017-0012 DRAWN: ZABJANOVSKI 2016/08/17 CHKD: APPR: GMEYER 2016/09/21 REV <b>A2</b>	<b>QUALITY SYMBOLS</b> $\nabla Z=0$ $\nabla Z=0$ $\nabla Z=0$	<b>GENERAL TOLERANCES (UNLESS SPECIFIED)</b> <table border="1"> <thead> <tr> <th></th> <th>mm</th> <th>INCH</th> </tr> </thead> <tbody> <tr> <td>4 PLACES</td> <td>± ---</td> <td>± ---</td> </tr> <tr> <td>3 PLACES</td> <td>± ---</td> <td>± ---</td> </tr> <tr> <td>2 PLACES</td> <td>± 0.13</td> <td>± ---</td> </tr> <tr> <td>1 PLACE</td> <td>± 0.25</td> <td>± ---</td> </tr> <tr> <td>0 PLACE</td> <td>± ---</td> <td>± ---</td> </tr> </tbody> </table>		mm	INCH	4 PLACES	± ---	± ---	3 PLACES	± ---	± ---	2 PLACES	± 0.13	± ---	1 PLACE	± 0.25	± ---	0 PLACE	± ---	± ---	<b>DIMENSION STYLE</b> <b>MM ONLY</b>	<b>SCALE</b> 2:1	<b>DESIGN UNITS</b> METRIC	THIRD ANGLE PROJECTION
		mm	INCH																					
	4 PLACES	± ---	± ---																					
	3 PLACES	± ---	± ---																					
2 PLACES	± 0.13	± ---																						
1 PLACE	± 0.25	± ---																						
0 PLACE	± ---	± ---																						
		<b>ANGULAR</b> ±1/2°	<b>DRAWN BY</b> FJAKLIC	<b>DATE</b> 2012/08/10	<b>TITLE</b> COB HOLDER ASSEMBLY 15.85MM X 15.85MM																			
		<b>DRAFT WHERE APPLICABLE MUST REMAIN WITHIN DIMENSIONS</b>	<b>CHECKED BY</b> MCOLE	<b>DATE</b> 2013/10/31	<b>MOLEX</b>																			
			<b>APPROVED BY</b> DMCGOWAN	<b>DATE</b> 2012/08/17	<b>DOCUMENT NO.</b> SD-180560-001	<b>SHEET NO.</b> 1 OF 2																		

SEE CHART  
 THIS DRAWING CONTAINS INFORMATION THAT IS PROPRIETARY TO MOLEX INCORPORATED AND SHOULD NOT BE USED WITHOUT WRITTEN PERMISSION

10	9	8	7	6	5	4	3	2	1
COB MFG	TYPE	DIM 'A'	DIM 'B'	THICKNESS	DIM 'C'				
CREE	CXA1507	15.85	15.85	1.15	10.5				
CREE	CXA1510	15.85	15.85	1.15	10.5				
CREE	CXA1512	15.85	15.85	1.15	10.5				
CREE	CXA1520	15.85	15.85	1.00	10.5				
CREE	CXB1507	15.85	15.85	1.15	10.5				
CREE	CXB1512	15.85	15.85	1.15	10.5				
CREE	CXB1520	15.85	15.85	1.00	10.5				
BRIDGELUX	H9	15.85	15.85	1.10	10.5				



180560-0002  
180560-0102



<b>ENTER DESCRIPTION</b> EC NO: SSL2017-0012 DRAWN: ZABJANOVSKI 2016/08/17 CHKD: APPR: GMEYER 2016/09/21	<b>QUALITY SYMBOLS</b> $\nabla = 0$ $\nabla = 0$ $\nabla = 0$	<b>GENERAL TOLERANCES (UNLESS SPECIFIED)</b> <table border="1"> <thead> <tr> <th></th> <th>mm</th> <th>INCH</th> </tr> </thead> <tbody> <tr> <td>4 PLACES</td> <td>± ---</td> <td>± ---</td> </tr> <tr> <td>3 PLACES</td> <td>± ---</td> <td>± ---</td> </tr> <tr> <td>2 PLACES</td> <td>± 0.13</td> <td>± ---</td> </tr> <tr> <td>1 PLACE</td> <td>± 0.25</td> <td>± ---</td> </tr> <tr> <td>0 PLACE</td> <td>± ---</td> <td>± ---</td> </tr> </tbody> </table>		mm	INCH	4 PLACES	± ---	± ---	3 PLACES	± ---	± ---	2 PLACES	± 0.13	± ---	1 PLACE	± 0.25	± ---	0 PLACE	± ---	± ---	<b>DIMENSION STYLE</b> <b>MM ONLY</b>	<b>SCALE</b> 2:1	<b>DESIGN UNITS</b> METRIC	THIRD ANGLE PROJECTION
		mm	INCH																					
	4 PLACES	± ---	± ---																					
	3 PLACES	± ---	± ---																					
2 PLACES	± 0.13	± ---																						
1 PLACE	± 0.25	± ---																						
0 PLACE	± ---	± ---																						
<b>DESCRIPTION</b> A2	ANGULAR ±1/2° DRAFT WHERE APPLICABLE MUST REMAIN WITHIN DIMENSIONS	<table border="1"> <thead> <tr> <th>DRAWN BY</th> <th>DATE</th> </tr> </thead> <tbody> <tr> <td>FJAKLIC</td> <td>2012/08/10</td> </tr> <tr> <th>CHECKED BY</th> <th>DATE</th> </tr> <tr> <td>MCOLE</td> <td>2013/10/31</td> </tr> <tr> <th>APPROVED BY</th> <th>DATE</th> </tr> <tr> <td>DMCGOWAN</td> <td>2012/08/17</td> </tr> </tbody> </table>	DRAWN BY	DATE	FJAKLIC	2012/08/10	CHECKED BY	DATE	MCOLE	2013/10/31	APPROVED BY	DATE	DMCGOWAN	2012/08/17	<b>TITLE</b> COB HOLDER ASSEMBLY 15.85MM X 15.85MM	<b>DOCUMENT NO.</b> SD-180560-001	<b>SHEET NO.</b> 2 OF 2							
DRAWN BY	DATE																							
FJAKLIC	2012/08/10																							
CHECKED BY	DATE																							
MCOLE	2013/10/31																							
APPROVED BY	DATE																							
DMCGOWAN	2012/08/17																							
<b>SIZE</b> B		THIS DRAWING CONTAINS INFORMATION THAT IS PROPRIETARY TO MOLEX INCORPORATED AND SHOULD NOT BE USED WITHOUT WRITTEN PERMISSION																						