




| SIGN | DATE     | DESCRIPTION                                  | APPROVER |
|------|----------|--|----------|
| ⚠    | 1/19/07  | Dimension changed from 4.0 to 3.5            | Tony     |
| ⚠    | 12/17/08 | Added the tolerance table                    | Jackie   |
| ⚠    | 10/21/09 | The material is changed from Brass to Copper | Jackie   |

*THIS IS CAD DRAWING, DO NOT REVISE MANUALLY!!!*

**Material**

- ⚠ ● Terminal body  
(contact pin): Copper, Tin plated
- Insulator (housing): Thermoplastic (UL94V-0)

**Electrical cULus/VDE/TUV**

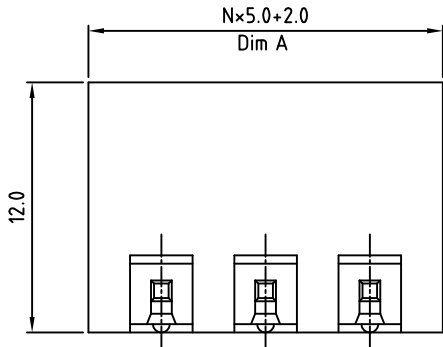
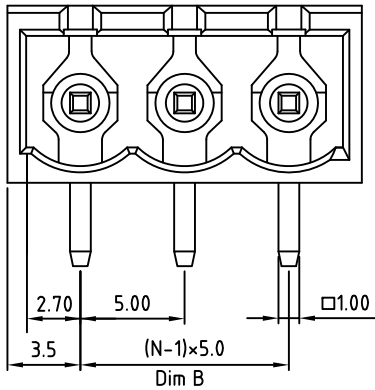
- Voltage rating: 300VAC/300VAC/300VAC
- Current rating: 20A/20A/20A
- Withstanding Voltage: 1.6KV/2.5KV/2.5KV
- Operating temperature: -40°C to +115°C
- Soldering temperature: 260°C±10°C/5 Sec
- Safety Approval:   

RoHS Compliant

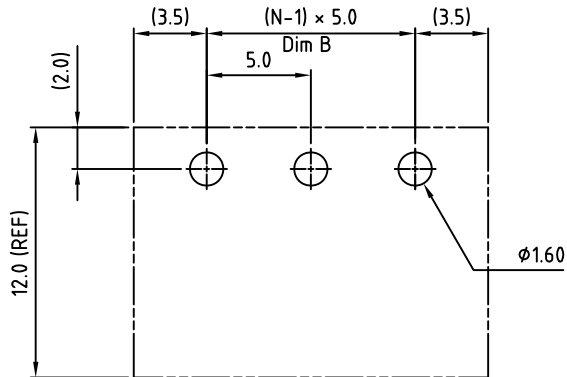
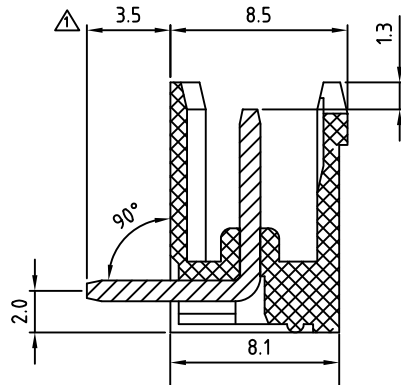
PART NUMBER:

**OSTOQXX7151**

|              |                     |
|--------------|---------------------|
| ↓            | ↓                   |
| No. of Poles | COLOR               |
| 02 2 Poles   | 0: Black            |
| 03 3 Poles   | 2: Red              |
| ... ..       | 3: Orange           |
| 24 24 Poles  | 4: Yellow           |
|              | 5: Green (Standard) |
|              | 6: Blue             |
|              | 8: Grey             |



N = Number of poles

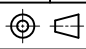


RECOMMENDED PCB LAYOUT

| Poles  | Dim A  | Dim B  |
|--------|--------|--------|
| 2-6p   | ± 0.20 | ± 0.15 |
| 7-12p  | ± 0.25 | ± 0.20 |
| 13-18p | ± 0.30 | ± 0.25 |
| 19-24p | ± 0.35 | ± 0.30 |

THESE DRAWINGS AND SPECIFICATIONS ARE THE PROPERTY OF ON-SHORE TECHNOLOGY, INC. AND SHALL NOT BE REPRODUCED, COPIED OR USED IN ANY MANNER WITHOUT THE PRIOR WRITTEN CONSENT OF ON-SHORE TECHNOLOGY, INC.



|          |             |                                       |                       |   |   |
|----------|-------------|---------------------------------------|-----------------------|---|---|
| TITLE    |             | OSTOQ 5.0mm series Closed right-angle |                       |   |   |
| PART NO. | OSTOQXX7151 | DWG NO.                               | OSTOQXX7151.DWG       |   |   |
| APPROVED | CHECKED     | DESIGNED                              | DRAWN                 | CUST NO.  | Tolerance                                     |
|          |             | Chen Bo<br>2012.12.03                 | Chen Bo<br>2012.12.03 |  | X. ±0.50<br>X.X ±0.30<br>X.XX ±0.10<br>X° ±1° |
|          |             |                                       |                       | SHEET: 01/01  | UNIT: mm<br>SCALE: NONE<br>REV.: J            |