

# LC87F1HC4B



**ON Semiconductor®**

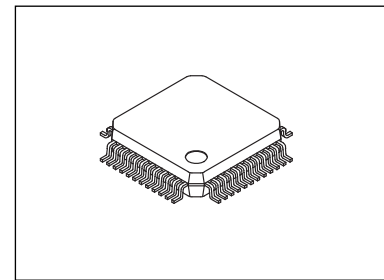
www.onsemi.com

CMOS LSI

## 8-bit Microcontroller with USB-host Controller 128K-byte FROM / 12288-byte RAM / 48-pin

### Overview

The LC87F1HC4B is an 8-bit microcomputer that, centered around a CPU running at a minimum bus cycle time of 83.3ns, integrates on a single chip a number of hardware features such as 128K-byte flash ROM (onboard programmable), 12288-byte RAM, an on-chip debugger, a sophisticated 16-bit timer/counter (may be divided into 8-bit timers), a 16-bit timer (may be divided into 8-bit timers or PWMs), four 8-bit timers with a prescaler, a base timer serving as a time-of-day clock, 3 channels of synchronous SIO interface with automatic data transfer capabilities, an asynchronous/synchronous SIO interface, a UART interface (full duplex), a full-speed USB interface (host control function), an 8-bit 12-channel AD converter, 2 channels of 12-bit PWM, a system clock frequency divider, an infrared remote control receiver circuit, and a 40-source 10-vector interrupt feature.



SPQFP48 7x7 / SQFP48

### Features

#### Flash ROM

- 131072 × 8 bits
- Capable of on-board programming with a wide range of supply voltages : 3.0 to 5.5V
- Block-erasable in 128 byte units
- Writes data in 2-byte units

#### RAM

- 12288 × 9 bits

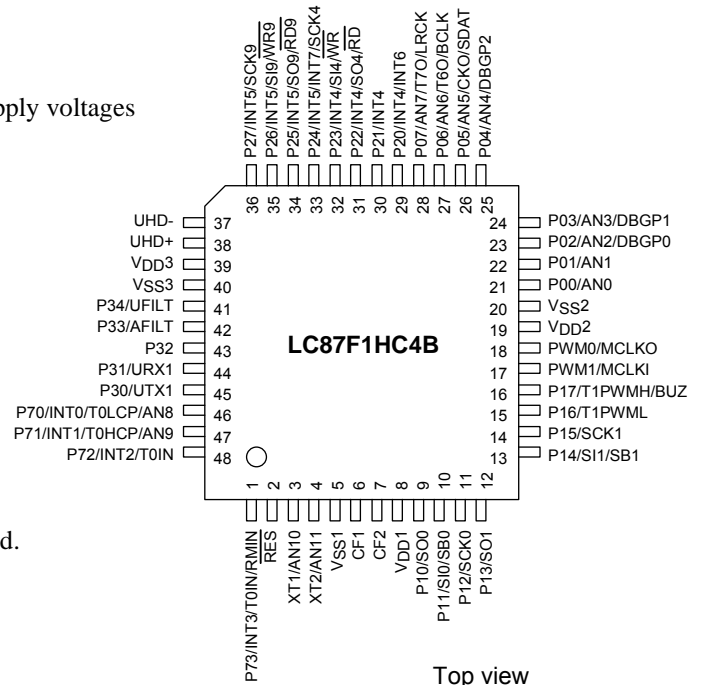
#### Package Form

- SQFP48 : Pb-Free type

#### Bus Cycle Time

- 83.3ns (When CF=12MHz)

Note : The bus cycle time here refers to the ROM read speed.



Top view

\* This product is licensed from Silicon Storage Technology, Inc. (USA).

### ORDERING INFORMATION

See detailed ordering and shipping information on page 28 of this data sheet.

# LC87F1HC4B

## ■ Minimum Instruction Cycle Time (tCYC)

- 250ns (When CF=12MHz)

## ■ Ports

- I/O ports

Ports whose I/O direction can be designated in 1-bit units 28 (P10 to P17, P20 to P27, P30 to P34, P70 to P73, PWM0, PWM1, XT2)

Ports whose I/O direction can be designated in 4-bit units 8 (P00 to P07)

- USB ports 2 (UHD+, UHD-)
- Dedicated oscillator ports 2 (CF1, CF2)
- Input-only port (also used for oscillation) 1 (XT1)
- Reset pins 1 (RES)
- Power supply pins 6 (VSS1 to 3, VDD1 to 3)

## ■ Timers

- Timer 0: 16-bit timer/counter with 2 capture registers.

Mode 0: 8-bit timer with an 8-bit programmable prescaler (with two 8-bit capture registers) × 2 channels

Mode 1: 8-bit timer with an 8-bit programmable prescaler (with two 8-bit capture registers) + 8-bit counter (with two 8-bit capture registers)

Mode 2: 16-bit timer with an 8-bit programmable prescaler (with two 16-bit capture registers)

Mode 3: 16-bit counter (with two 16-bit capture registers)

- Timer 1: 16-bit timer/counter that supports PWM/toggle outputs

Mode 0: 8-bit timer with an 8-bit prescaler (with toggle outputs) + 8-bit timer/counter with an 8-bit prescaler (with toggle outputs)

Mode 1: 8-bit PWM with an 8-bit prescaler × 2 channels

Mode 2: 16-bit timer/counter with an 8-bit prescaler (with toggle outputs) (toggle outputs also possible from lower-order 8 bits)

Mode 3: 16-bit timer with an 8-bit prescaler (with toggle outputs) (lower-order 8 bits may be used as a PWM output)

- Timer 4: 8-bit timer with a 6-bit prescaler
- Timer 5: 8-bit timer with a 6-bit prescaler
- Timer 6: 8-bit timer with a 6-bit prescaler (with toggle outputs)
- Timer 7: 8-bit timer with a 6-bit prescaler (with toggle outputs)
- Base timer

1) The clock is selectable from the subclock (32.768kHz crystal oscillation), system clock, and timer 0 prescaler output.

2) Interrupts programmable in 5 different time schemes

## ■ SIO

- SIO0: Synchronous serial interface

1) LSB first/MSB first mode selectable

2) Transfer clock cycle: 4/3 to 512/3 tCYC

3) Automatic continuous data transmission (1 to 256 bits, specifiable in 1-bit units) (Suspension and resumption of data transmission possible in 1 byte units)

- SIO1: 8-bit asynchronous/synchronous serial interface

Mode 0: Synchronous 8-bit serial I/O (2- or 3-wire configuration, 2 to 512 tCYC transfer clocks)

Mode 1: Asynchronous serial I/O (half-duplex, 8 data bits, 1 stop bit, 8 to 2048 tCYC baudrates)

Mode 2: Bus mode 1 (start bit, 8 data bits, 2 to 512 tCYC transfer clocks)

Mode 3: Bus mode 2 (start detect, 8 data bits, stop detect)

- SIO4: Synchronous serial interface

1) LSB first/MSB first mode selectable

2) Transfer clock cycle: 4/3 to 1020/3 tCYC

3) Automatic continuous data transmission (1 to 4096 bytes, specifiable in 1 byte units) (Suspension and resumption of data transmission possible in 1 byte units or in word units)

4) Auto-start-on-falling-edge function

5) Clock polarity selectable

6) CRC16 calculator circuit built in

Continued on next page.

Continued from preceding page.

- SIO9: Synchronous serial interface
  - 1) LSB first/MSB first mode selectable
  - 2) Transfer clock cycle: 4/3 to 1020/3 tCYC
  - 3) Automatic continuous data transmission (1 to 4096 bytes, specifiable in 1 byte units)  
(Suspension and resumption of data transmission possible in 1 byte units or word units)
  - 4) Auto-start-on-falling-edge function
  - 5) Clock polarity selectable
  - 6) CRC16 calculator circuit built in

■ Full Duplex UART

- 1) Data length : 7/8/9 bits selectable
- 2) Stop bits : 1 bit (2 bits in continuous transmission mode)
- 3) Baud rate : 16/3 to 8192/3 tCYC

■ AD Converter: 8 bits × 12 channels

■ PWM: Multifrequency 12-bit PWM × 2 channels

■ Infrared Remote Control Receiver Circuit

- 1) Noise rejection function (noise filter time constant: Approx. 120μs when the 32.768kHz crystal oscillator is selected as the base clock)
- 2) Supports data encoding systems such as PPM (Pulse Position Modulation) and Manchester encoding.
- 3) X'tal HOLD mode reset function

■ USB Interface (host control function)

- 1) Compliant with full-speed (12M bps) specifications
- 2) Supports 4 transfer types (control transfer, bulk transfer, interrupt transfer, and isochronous transfer).

■ Audio Interface

- 1) Sampling frequency (fs) : 32kHz, 44.1kHz, 48kHz
- 2) Master clock frequency (internal PLL) : 12.288MHz, 16.9344MHz, 18.432MHz
- 3) Bit clock selectable : 48fs/64fs
- 4) Data bit length : 16/18/20/24 bits
- 5) LSB first/MSB firsts selectable
- 6) Left-justification/right-justification selectable

■ Watchdog Timer

- Watchdog timer using external RC circuitry
- Interrupt and reset signals selectable

■ Clock Output Function

- 1) Can output a clock with a clock rate of 1/1, 1/2, 1/4, 1/8, 1/16, 1/32, or 1/64 of the source oscillator clock selected as the system clock.
- 2) Can output the source oscillation clock for the subclock.

## ■ Interrupts

- 40 sources, 10 vector addresses
  - 1) Provides three levels (low (L), high (H), and highest (X)) of multiplex interrupt control. Any interrupt requests of the level equal to or lower than the current interrupt are not accepted.
  - 2) When interrupt requests to two or more vector addresses occur at the same time, the interrupt of the highest level takes precedence over the other interrupts. For interrupts of the same level, the interrupt into the smallest vector address takes precedence.

No.	Vector Address	Level	Interrupt Source
1	00003H	X or L	INT0
2	0000BH	X or L	INT1
3	00013H	H or L	INT2/T0L/INT4/UHC bus active/remote control signal receive
4	0001BH	H or L	INT3/INT5/base timer
5	00023H	H or L	T0H/INT6/UHC device connected/UHC disconnected/UHC resume
6	0002BH	H or L	T1L/T1H/INT7/SIO9/AIF start
7	00033H	H or L	SIO0/UART1 receive
8	0003BH	H or L	SIO1/SIO4/UART1 transmit/end of AIF
9	00043H	H or L	ADC/T6/T7/UHC-ACK/UHC-NAK/UHC error/UHC STALL
10	0004BH	H or L	Port 0/PWM0/PWM1/T4/T5/UHC-SOF/DMCOPY

- Priority levels X > H > L
- Of interrupts of the same level, the one with the smallest vector address takes precedence.

## ■ Subroutine Stack Levels: 6144 levels maximum (The stack is allocated in RAM.)

## ■ High-speed Multiplication/Division Instructions

- 16 bits × 8 bits (5 tCYC execution time)
- 24 bits × 16 bits (12 tCYC execution time)
- 16 bits ÷ 8 bits (8 tCYC execution time)
- 24 bits ÷ 16 bits (12 tCYC execution time)

## ■ Oscillation and PLL Circuits

- RC oscillation circuit (internal): For system clock
- CF oscillation circuit: For system clock
- Crystal oscillation circuit: For system clock, time-of-day clock
- PLL circuit (internal): For USB interface (see Fig.5) , audio interface (see Fig. 6)

## ■ Standby Function

- HALT mode: Halts instruction execution while allowing the peripheral circuits to continue operation.
  - 1) Oscillation is not halted automatically.
  - 2) Canceled by a system reset or occurrence of an interrupt.
- HOLD mode: Suspends instruction execution and the operation of the peripheral circuits.
  - 1) The PLL base clock generator, CF, RC and crystal oscillators automatically stop operation.
  - 2) There are four ways of resetting the HOLD mode.
    - (1) Setting the reset pin to the lower level.
    - (2) Setting at least one of the INT0, INT1, INT2, INT4, and INT5 pins to the specified level
    - (3) Having an interrupt source established at port 0
    - (4) Having an bus active interrupt source established in the USB host controll circuit
- X'tal HOLD mode: Suspends instruction execution and the operation of the peripheral circuits except the base timer.
  - 1) The PLL base clock generator, CF and RC oscillator automatically stop operation.
  - 2) The state of crystal oscillation established when the X'tal HOLD mode is entered is retained.
  - 3) There are six ways of resetting the X'tal HOLD mode.
    - (1) Setting the reset pin to the low level
    - (2) Setting at least one of the INT0, INT1, INT2, INT4, and INT5 pins to the specified level
    - (3) Having an interrupt source established at port 0
    - (4) Having an interrupt source established in the base timer circuit
    - (5) Having an bus active interrupt source established in the USB host controll circuit
    - (6) Having an interrupt source established in the infrared remote controller receiver circuit

# LC87F1HC4B

## ■Development Tools

- On-chip debugger: TCB87- type-B + LC87F1HC4B

## ■Flash ROM Programming Boards

Package	Programming boards
SQFP48(7 × 7)	W87F55256SQ

## ■Recommended EPROM Programmer

Maker		Model	Supported version	Device
Flash Support Group, Inc. (FSG)	Single Programmer	AF9708/ AF9709/AF9709B/AF9709C (Including Ando Electric Co., Ltd. models)	Rev 02.82 or later	LC87F1HC8A
Flash Support Group, Inc. (FSG) + ON Semiconductor (Note 1)	Onboard Single/Gang Programmer	AF9101/AF9103(Main body) (FSG models)	(Note 2)	LC87F1HC8A
		SIB87(Inter Face Driver) (ON Semiconductor model)		
ON Semiconductor	Single/Gang Programmer	SKK/SKK TypeB (SanyoFWS)	Application Version 2.04 or later Chip Data Version 2.11 or later	LC87F1HC8
	Onboard Single/Gang Programmer	SKK-DBG TypeB (SanyoFWS)		

Note 1: With the FSG onboard programmer (AF9101/AF9103) and the serial interface driver (SIB87) provided by ON Semiconductor, PC-less standalone onboard programming is possible

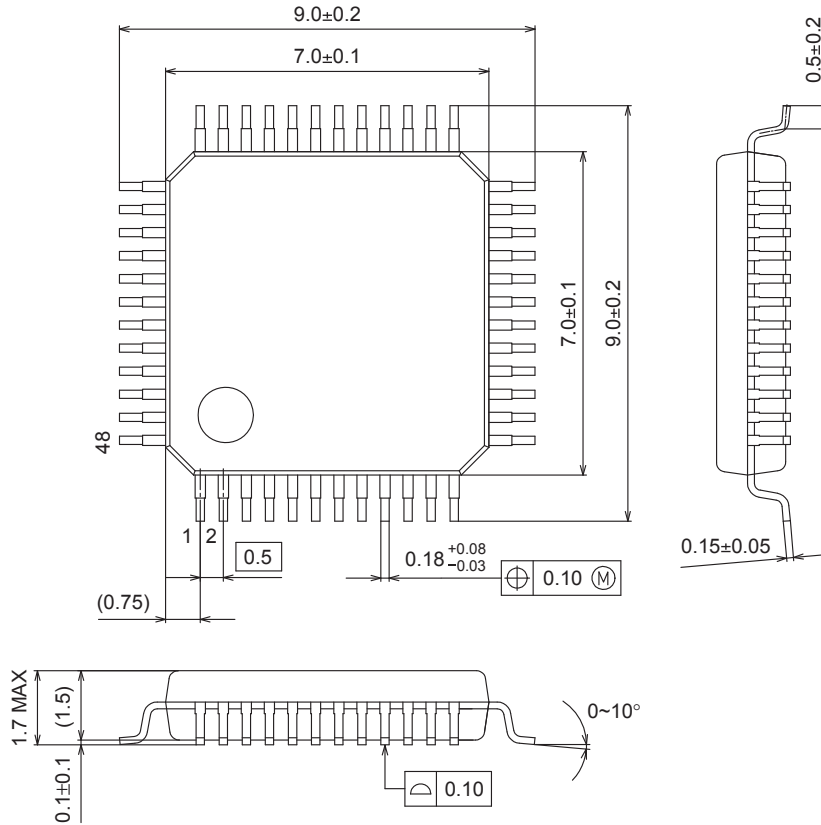
Note 2: Depending on programming conditions, it is necessary to use a dedicated programming device and a program. Please contact our company or FSG if you have any questions or difficulties regarding this matter.

# LC87F1HC4B

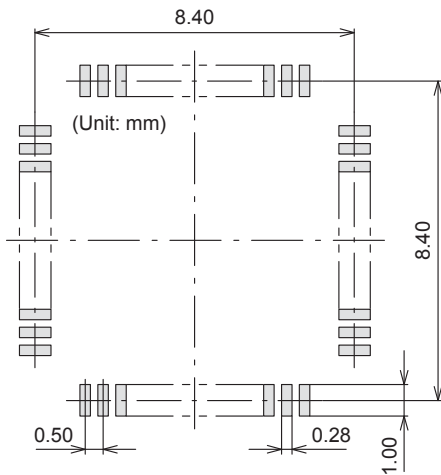
## Package Dimensions

unit : mm

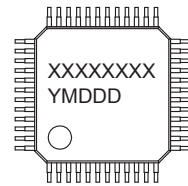
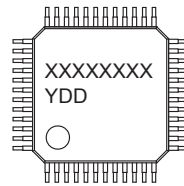
SPQFP48 7x7 / SQFP48  
CASE 131AJ  
ISSUE A



### SOLDERING FOOTPRINT\*



### GENERIC MARKING DIAGRAM\*



XXXXX = Specific Device Code  
Y = Year  
DD = Additional Traceability Data

XXXXX = Specific Device Code  
Y = Year  
M = Month  
DDD = Additional Traceability Data

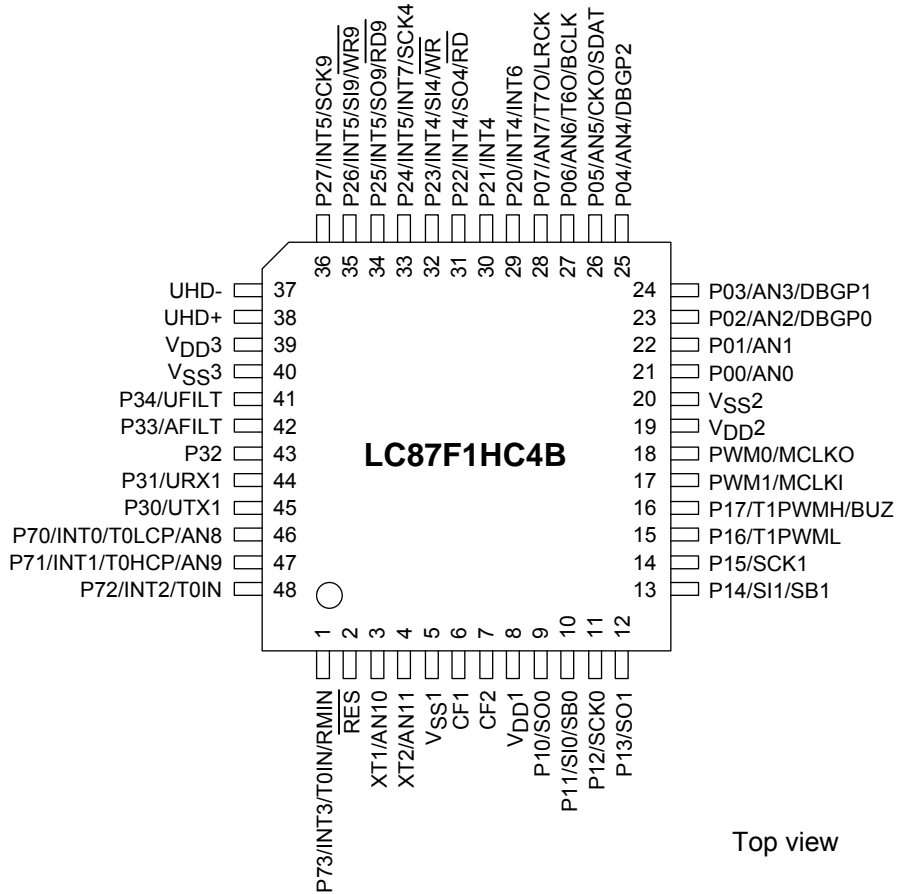
\*This information is generic. Please refer to device data sheet for actual part marking. Pb-Free indicator, "G" or microdot "•", may or may not be present.

NOTE: The measurements are not to guarantee but for reference only.

\*For additional information on our Pb-Free strategy and soldering details, please download the ON Semiconductor Soldering and Mounting Techniques Reference Manual, SOLDERRM/D.

# LC87F1HC4B

## Pin Assignment



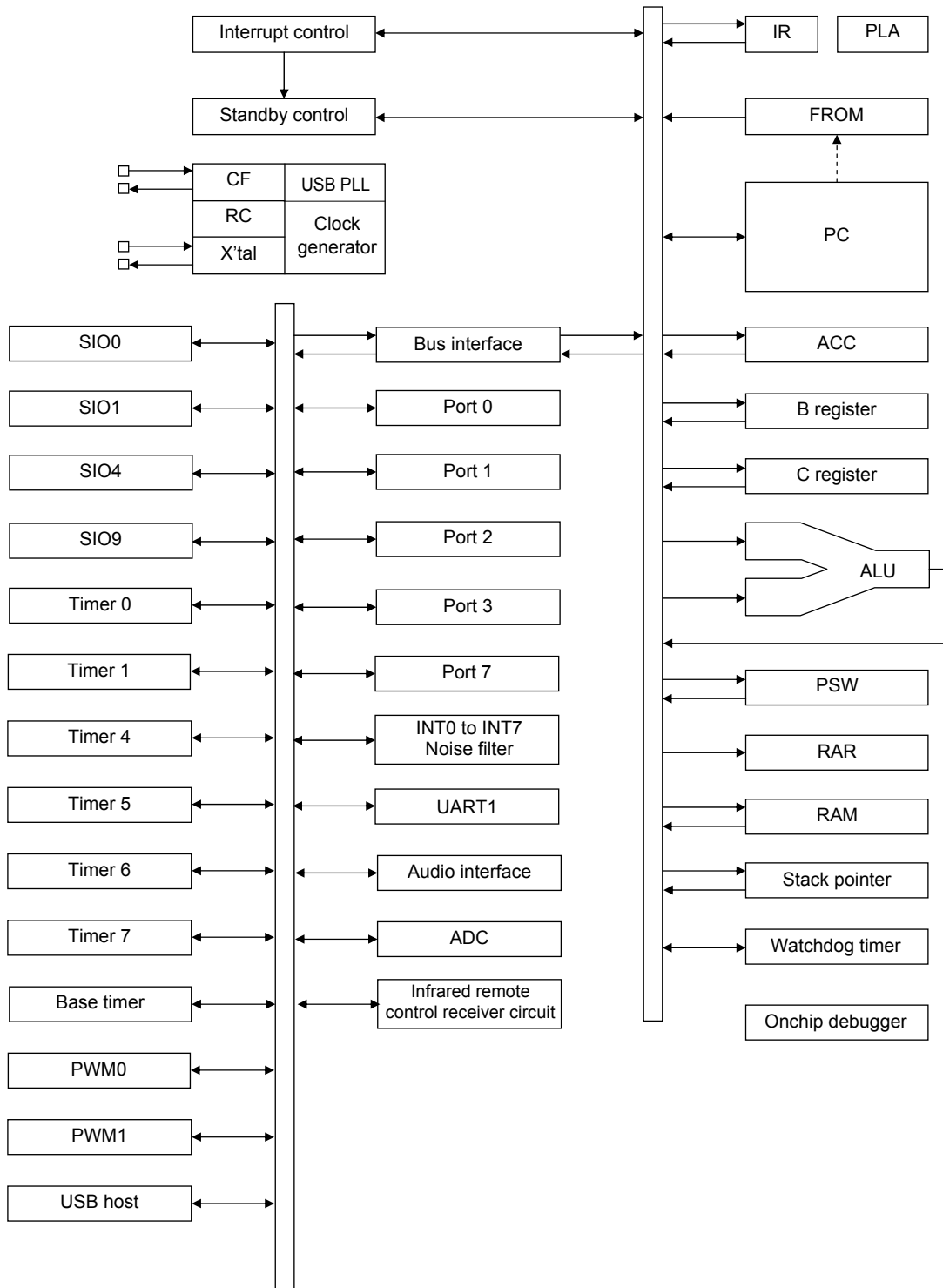
Top view

SQFP48(7×7) : Pb-Free

SQFP48	NAME
1	P73/INT3/TOIN/RMIN
2	RES
3	XT1/AN10
4	XT2/AN11
5	VSS1
6	CF1
7	CF2
8	VDD1
9	P10/SO0
10	P11/SI0/SB0
11	P12/SCK0
12	P13/SO1
13	P14/SI1/SB1
14	P15/SCK1
15	P16/T1PWML
16	P17/T1PWMH/BUZ
17	PWM1/MCLKI
18	PWM0/MCLKO
19	VDD2
20	VSS2
21	P00/AN0
22	P01/AN1
23	P02/AN2/DBGP0
24	P03/AN3/DBGP1

SQFP48	NAME
25	P04/AN4/DBGP2
26	P05/AN5/CKO/SDAT
27	P06/AN6/T6O/BCLK
28	P07/AN7/T7O/LRCK
29	P20/INT4/INT6
30	P21/INT4
31	P22/INT4/SO4/RD
32	P23/INT4/SI4/WR
33	P24/INT5/INT7/SCK4
34	P25/INT5/SO9/RD9
35	P26/INT5/SI9/WR9
36	P27/INT5/SCK9
37	UHD-
38	UHD+
39	VDD3
40	VSS3
41	P34/UFILT
42	P33/AFILT
43	P32
44	P31/URX1
45	P30/UTX1
46	P70/INT0/TOLCP/AN8
47	P71/INT1/TOHCP/AN9
48	P72/INT2/TOIN

System Block Diagram







# LC87F1HC4B

Continued from preceding page.

Pin Name	I/O	Description	Option																														
Port 7 P70 to P73	I/O	<ul style="list-style-type: none"> <li>• 4-bit I/O port</li> <li>• I/O specifiable in 1-bit units</li> <li>• Pull-up resistors can be turned on and off in 1-bit units.</li> <li>• Pin functions</li> </ul> P70: INT0 input/HOLD reset input/timer 0L capture input/watchdog timer output P71: INT1 input/HOLD reset input/timer 0H capture input P72: INT2 input/HOLD reset input/timer 0 event input/timer 0L capture input/ high speed clock counter input P73: INT3 input (input with noise filter)/timer 0 event input/timer 0H capture input/ IR remote controller receiver input AD converter input ports: AN8(P70), AN9(P71) Interrupt acknowledge types <table border="1" style="margin-left: 20px;"> <thead> <tr> <th></th> <th>Rising</th> <th>Falling</th> <th>Rising &amp; Falling</th> <th>H level</th> <th>L level</th> </tr> </thead> <tbody> <tr> <td>INT0</td> <td>enable</td> <td>enable</td> <td>disable</td> <td>enable</td> <td>enable</td> </tr> <tr> <td>INT1</td> <td>enable</td> <td>enable</td> <td>disable</td> <td>enable</td> <td>enable</td> </tr> <tr> <td>INT2</td> <td>enable</td> <td>enable</td> <td>enable</td> <td>disable</td> <td>disable</td> </tr> <tr> <td>INT3</td> <td>enable</td> <td>enable</td> <td>enable</td> <td>disable</td> <td>disable</td> </tr> </tbody> </table>		Rising	Falling	Rising & Falling	H level	L level	INT0	enable	enable	disable	enable	enable	INT1	enable	enable	disable	enable	enable	INT2	enable	enable	enable	disable	disable	INT3	enable	enable	enable	disable	disable	No
	Rising	Falling	Rising & Falling	H level	L level																												
INT0	enable	enable	disable	enable	enable																												
INT1	enable	enable	disable	enable	enable																												
INT2	enable	enable	enable	disable	disable																												
INT3	enable	enable	enable	disable	disable																												
PWM0 PWM1	I/O	PWM0, PWM1 output port General-purpose input port <ul style="list-style-type: none"> <li>• Pin functions</li> </ul> PWM0: Audio interface master clock output PWM1: Audio interface master clock input	No																														
UHD-	I/O	USB data I/O pin UHD-/general-purpose I/O port	No																														
UHD+	I/O	USB data I/O pin UHD+/general-purpose I/O port	No																														
RES	Input	Reset pin	No																														
XT1	Input	<ul style="list-style-type: none"> <li>• 32.768kHz crystal oscillator input</li> <li>• Pin functions</li> </ul> General-purpose input port AD converter input ports: AN10 Must be connected to $V_{DD1}$ when not to be used.	No																														
XT2	I/O	<ul style="list-style-type: none"> <li>• 32.768kHz crystal oscillator output</li> <li>• Pin functions</li> </ul> General-purpose I/O AD converter input port: AN11 Must be set for oscillation and kept open if not to be used.	No																														
CF1	Input	Ceramic/crystal resonator input	No																														
CF2	Output	Ceramic/crystal resonator output	No																														

## Port Output Types

The table below lists the types of port outputs and the presence/absence of a pull-up resistor. Data can be read into any input port even if it is in the output mode.

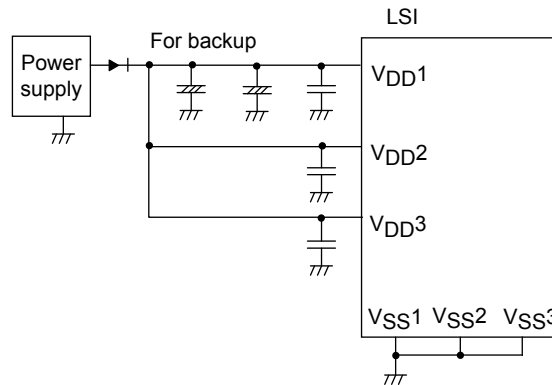
Port Name	Option selected in units of	Option type	Output type	Pull-up resistor
P00 to P07	1 bit	1	CMOS	Programmable (Note 1)
		2	Nch-open drain	No
P10 to P17 P20 to P27 P30 to P34	1 bit	1	CMOS	Programmable
		2	Nch-open drain	Programmable
P70	-	No	Nch-open drain	Programmable
P71 to P73	-	No	CMOS	Programmable
PWM0, PWM1	-	No	CMOS	No
UHD+, UHD-	-	No	CMOS	No
XT1	-	No	Input only	No
XT2	-	No	32.768kHz crystal resonator output (N channel open drain when in general-purpose output mode)	No

Note 1: Programmable pull-up resistors for port 0 are controlled in 4 bit units (P00 to 03, P04 to 07).

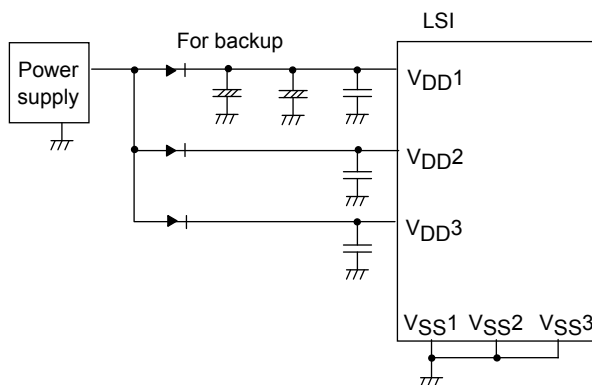
## Power Pin Treatment

Connect the IC as shown below to minimize the noise input to the  $V_{DD1}$  pin. and extend the backup period. Be sure to electrically short the  $V_{SS1}$ ,  $V_{SS2}$ , and  $V_{SS3}$  pins.

Example 1: When the microcontroller is in the backup state in the HOLD mode, the power to sustain the high level of output ports is supplied by their backup capacitors.



Example 2: The high level output at ports is not sustained and unstable in the HOLD backup mode.



**USB Reference Power Option**

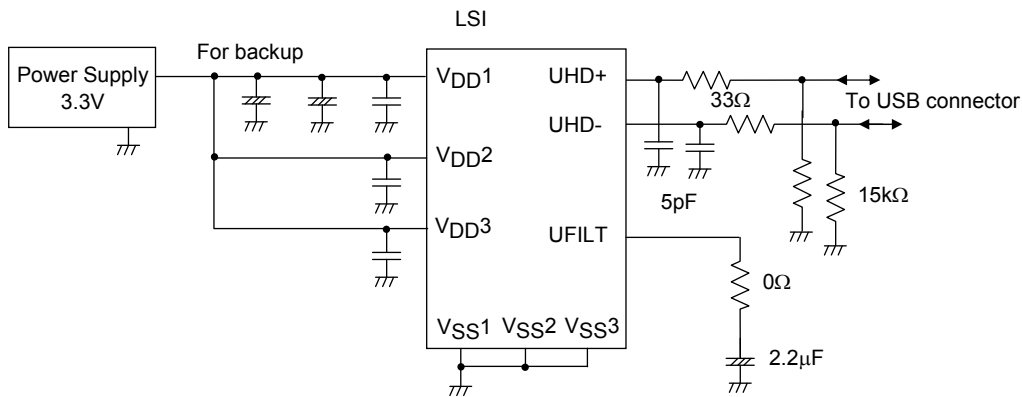
When a voltage 4.5 to 5.5V is supplied to VDD1 and the internal USB reference voltage circuit is activated, the reference voltage for USB port output is generated. The active/inactive state of the reference voltage circuit can be switched by option select. The procedure for marking the option selection is described below.

		(1)	(2)	(3)	(4)
Option settings	USB regulator	USE	USE	USE	NONUSE
	USB regulator at HOLD mode	USE	NONUSE	NONUSE	NONUSE
	USB regulator at HALT mode	USE	NONUSE	USE	NONUSE
Reference voltage circuit state	Normal mode	active	active	active	inactive
	HOLD mode	active	inactive	inactive	inactive
	HALT mode	active	inactive	active	inactive

- When the USB reference voltage circuit is made inactive, the level of the reference voltage for USB port output is equal to VDD1.
- Selection (2) or (3) can be used to set the reference voltage circuit inactive in HOLD or HALT mode.
- When the reference voltage circuit is activated, the current drain increases by approximately 100µA compared with when the reference voltage circuit is inactive.

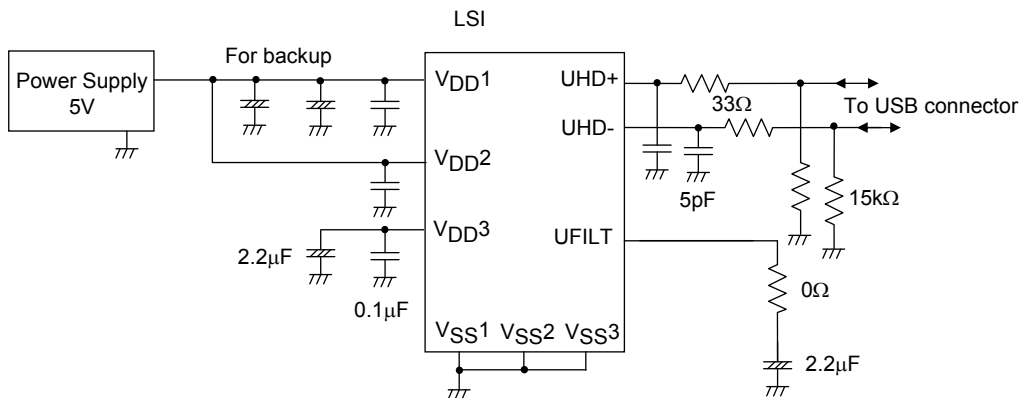
Example 1: VDD1=VDD2=3.3V

- Inactivating the reference voltage circuit (selection (4)).
- Connecting VDD3 to VDD1 and VDD2.



Example 2: VDD1=VDD2=5.0V

- Activating the reference voltage circuit (selection (1)).
- Isolating VDD3 from VDD1 and VDD2, and connecting capacitor between VDD3 and VSS.



# LC87F1HC4B

## Absolute Maximum Ratings at Ta = 25°C, VSS1 = VSS2 = VSS3 = 0V

Parameter	Symbol	Pin/Remarks	Conditions	Specification				unit
				VDD [V]	min	typ	max	
Maximum supply voltage	VDD max	VDD1, VDD2, VDD3	VDD1= VDD2= VDD3		-0.3		+6.5	V
Input voltage	VI(1)	XT1, CF1			-0.3		VDD+0.3	
Input/output voltage	VI/O(1)	Ports 0, 1, 2, 3, 7 PWM0, PWM1 XT2			-0.3		VDD+0.3	
High level output current	Peak output current	IOPH(1)	Ports 0, 1, 2	• When CMOS output type is selected • Per 1 applicable pin			-10	mA
		IOPH(2)	PWM0, PWM1	Per 1 applicable pin			-20	
		IOPH(3)	Port 3 P71 to P73	• When CMOS output type is selected • Per 1 applicable pin			-5	
	Average output current (Note 1-1)	IOMH(1)	Ports 0, 1, 2	• When CMOS output type is selected • Per 1 applicable pin			-7.5	
		IOMH(2)	PWM0, PWM1	Per 1 applicable pin			-15	
		IOMH(3)	Port 3 P71 to P73	• When CMOS output type is selected • Per 1 applicable pin			-3	
	Total output current	ΣIOAH(1)	Ports 0, 2	Total current of all applicable pins			-25	
		ΣIOAH(2)	Port 1 PWM0, PWM1	Total current of all applicable pins			-25	
		ΣIOAH(3)	Ports 0, 1, 2 PWM0, PWM1	Total current of all applicable pins			-45	
		ΣIOAH(4)	Port 3 P71 to P73	Total current of all applicable pins			-10	
ΣIOAH(5)		UHD+, UHD-	Total current of all applicable pins			-25		
Low level output current	Peak output current	IOPL(1)	P02 to P07 Ports 1, 2 PWM0, PWM1	Per 1 applicable pin			20	
		IOPL(2)	P00, P01	Per 1 applicable pin			30	
		IOPL(3)	Ports 3, 7 XT2	Per 1 applicable pin			10	
	Average output current (Note 1-1)	IOML(1)	P02 to P07 Ports 1, 2 PWM0, PWM1	Per 1 applicable pin			15	
		IOML(2)	P00, P01	Per 1 applicable pin			20	
		IOML(3)	Ports 3, 7 XT2	Per 1 applicable pin			7.5	
	Total output current	ΣIOAL(1)	Ports 0, 2	Total current of all applicable pins			45	
		ΣIOAL(2)	Port 1 PWM0, PWM1	Total current of all applicable pins			45	
		ΣIOAL(3)	Ports 0, 1, 2 PWM0, PWM1	Total current of all applicable pins			80	
ΣIOAL(4)		Ports 3, 7 XT2	Total current of all applicable pins			15		
ΣIOAL(5)		UHD+, UHD-	Total current of all applicable pins			25		
Allowable power Dissipation	Pd max	SQFP48(7×7)	Ta=-40 to +85°C				140	mW
Operating ambient Temperature	Topr				-40		+85	°C
Storage ambient temperature	Tstg				-55		+125	

Note 1-1: The average output current is an average of current values measured over 100 ms intervals.

Stresses exceeding those listed in the Maximum Ratings table may damage the device. If any of these limits are exceeded, device functionality should not be assumed, damage may occur and reliability may be affected.

# LC87F1HC4B

## Allowable Operating Conditions at Ta = -40°C to +85°C, VSS1 = VSS2 = VSS3 = 0V

Parameter	Symbol	Pin/Remarks	Conditions	Specification				
				VDD [V]	min	typ	max	unit
Operating supply voltage (Note 2-1)	VDD(1)	VDD1=VDD2=VDD3	0.245μs ≤ tCYC ≤ 200μs		3.0		5.5	V
			0.490μs ≤ tCYC ≤ 200μs Except in onboard programming mode		2.7		5.5	
Memory sustaining supply voltage	VHD	VDD1=VDD2=VDD3	RAM and register contents sustained in HOLD mode.		2.0		5.5	
High level input voltage	VIH(1)	Port 0, 1, 2, 3 P71 to P73 P70 port input/ interrupt side PWM0, PWM1		2.7 to 5.5	0.3VDD +0.7		VDD	
	VIH(2)	Port 70 watchdog timer side		2.7 to 5.5	0.9VDD		VDD	
	VIH(3)	XT1, XT2, CF1, $\overline{\text{RES}}$		2.7 to 5.5	0.75VDD		VDD	
Low level input voltage	UIL(1)	Port 1, 2, 3 P71 to P73		4.0 to 5.5	VSS		0.1VDD +0.4	
	UIL(2)	P70 port input/ interrupt side		2.7 to 4.0	VSS		0.2VDD	
	UIL(3)	Port 0 PWM0, PWM1		4.0 to 5.5	VSS		0.15VDD +0.4	
	UIL(4)			2.7 to 4.0	VSS		0.2VDD	
	UIL(5)	Port 70 watchdog timer side		2.7 to 5.5	VSS		0.8VDD -1.0	
	UIL(6)	XT1, XT2, CF1, $\overline{\text{RES}}$		2.7 to 5.5	VSS		0.25VDD	
Instruction cycle time (Note 2-2)	tCYC			3.0 to 5.5	0.245		200	μs
			Except for onboard programming mode	2.7 to 5.5	0.490		200	
External system clock frequency	FEXCF(1)	CF1	<ul style="list-style-type: none"> <li>• CF2 pin open</li> <li>• System clock frequency division ratio=1/1</li> <li>• External system clock duty =50±5%</li> </ul>	3.0 to 5.5	0.1		12	MHz
			<ul style="list-style-type: none"> <li>• CF2 pin open</li> <li>• System clock frequency division ratio=1/1</li> <li>• External system clock duty =50±5%</li> </ul>	2.7 to 5.5	0.1		6	
Oscillation frequency range (Note 2-3)	FmCF(1)	CF1, CF2	When 12MHz ceramic oscillation See Fig. 1.	3.0 to 5.5		12		MHz
	FmCF(2)	CF1, CF2	When 6MHz ceramic oscillation See Fig. 1.	2.7 to 5.5		6		
	FmRC		Internal RC oscillation	2.7 to 5.5	0.3	1.0	2.0	
	FsX'tal	XT1, XT2	32.768kHz crystal oscillation See Fig. 2.	2.7 to 5.5		32.768		kHz

Note 2-1: VDD must be held greater than or equal to 3.0V in the flash ROM onboard programming mode.

Note 2-2: Relationship between tCYC and oscillation frequency is 3/FmCF at a division ratio of 1/1 and 6/FmCF at a division ratio of 1/2.

Note 2-3: See Tables 1 and 2 for the oscillation constants.

Functional operation above the stresses listed in the Recommended Operating Ranges is not implied. Extended exposure to stresses beyond the Recommended Operating Ranges limits may affect device reliability.

# LC87F1HC4B

## Electrical Characteristics at Ta = -40°C to +85°C, VSS1 = VSS2 = VSS3 = 0V

Parameter	Symbol	Pin/Remarks	Conditions	Specification					
				VDD [V]	min	typ	max	unit	
High level input current	I <sub>IH</sub> (1)	Ports 0, 1, 2, 3 Port 7 $\overline{\text{RES}}$ PWM0, PWM1 UHD+, UHD-	Output disabled Pull-up resistor off V <sub>IN</sub> =V <sub>DD</sub> (Including output Tr's off leakage current)	2.7 to 5.5			1	μA	
	I <sub>IH</sub> (2)	XT1, XT2	Input port configuration V <sub>IN</sub> =V <sub>DD</sub>	2.7 to 5.5			1		
	I <sub>IH</sub> (3)	CF1	V <sub>IN</sub> =V <sub>DD</sub>	2.7 to 5.5			15		
Low level input current	I <sub>IL</sub> (1)	Ports 0, 1, 2, 3 Port 7 $\overline{\text{RES}}$ PWM0, PWM1 UHD+, UHD-	Output disabled Pull-up resistor off V <sub>IN</sub> =V <sub>SS</sub> (Including output Tr's off leakage current)	2.7 to 5.5	-1			μA	
	I <sub>IL</sub> (2)	XT1, XT2	Input port configuration V <sub>IN</sub> =V <sub>SS</sub>	2.7 to 5.5	-1				
	I <sub>IL</sub> (3)	CF1	V <sub>IN</sub> =V <sub>SS</sub>	2.7 to 5.5	-15				
High level output voltage	V <sub>OH</sub> (1)	Ports 0, 1, 2, 3 P71 to P73	I <sub>OH</sub> =-1mA	4.5 to 5.5	V <sub>DD</sub> -1			V	
	V <sub>OH</sub> (2)		I <sub>OH</sub> =-0.4mA	3.0 to 5.5	V <sub>DD</sub> -0.4				
	V <sub>OH</sub> (3)		I <sub>OH</sub> =-0.2mA	2.7 to 5.5	V <sub>DD</sub> -0.4				
	V <sub>OH</sub> (4)	PWM0, WM1 P05 to P07 (Note 3-1)	I <sub>OH</sub> =-10mA	4.5 to 5.5	V <sub>DD</sub> -1.5				
	V <sub>OH</sub> (5)		I <sub>OH</sub> =-1.6mA	3.0 to 5.5	V <sub>DD</sub> -0.4				
	V <sub>OH</sub> (6)		I <sub>OH</sub> =-1mA	2.7 to 5.5	V <sub>DD</sub> -0.4				
Low level output voltage	V <sub>OL</sub> (1)	P00, P01	I <sub>OL</sub> =30mA	4.5 to 5.5			1.5	V	
	V <sub>OL</sub> (2)		I <sub>OL</sub> =5mA	3.0 to 5.5			0.4		
	V <sub>OL</sub> (3)		I <sub>OL</sub> =2.5mA	2.7 to 5.5			0.4		
	V <sub>OL</sub> (4)	Ports 0, 1, 2 PWM0, PWM1 XT2	I <sub>OL</sub> =10mA	4.5 to 5.5			1.5		
	V <sub>OL</sub> (5)		I <sub>OL</sub> =1.6mA	3.0 to 5.5			0.4		
	V <sub>OL</sub> (6)		I <sub>OL</sub> =1mA	2.7 to 5.5			0.4		
	V <sub>OL</sub> (7)	Ports 3, 7	I <sub>OL</sub> =1.6mA	3.0 to 5.5			0.4		
	V <sub>OL</sub> (8)		I <sub>OL</sub> =1mA	2.7 to 5.5			0.4		
Pull-up resistance	R <sub>pu</sub> (1)	Ports 0, 1, 2, 3	V <sub>OH</sub> =0.9V <sub>DD</sub>	4.5 to 5.5		15	35	80	kΩ
	R <sub>pu</sub> (2)	Port 7		2.7 to 5.5		18	50	150	
Hysteresis voltage	V <sub>HYS</sub>	$\overline{\text{RES}}$ Port 1, 2, 3, 7		2.7 to 5.5			0.1V <sub>DD</sub>		V
Pin capacitance	CP	All pins	For pins other than that under test: V <sub>IN</sub> =V <sub>SS</sub> f=1MHz Ta=25°C	2.7 to 5.5			10		pF

Note 3-1: When the CKO system clock output function (P05) or audio interface output function (P05 to P07) is used.

Product parametric performance is indicated in the Electrical Characteristics for the listed test conditions, unless otherwise noted. Product performance may not be indicated by the Electrical Characteristics if operated under different conditions.

# LC87F1HC4B

**Serial I/O Characteristics** at Ta = -40°C to +85°C, VSS1 = VSS2 = VSS3 = 0V

## 1. SIO0 Serial I/O Characteristics (Note 4-1-1)

Parameter		Symbol	Pin/ Remarks	Conditions	V <sub>DD</sub> [V]	Specification				
						min	typ	max	unit	
Serial clock	Input clock	Frequency	tSCK(1)	SCK0(P12)	See Fig. 8.	2.7 to 5.5	2			tCYC
		Low level pulse width	tSCKL(1)				1			
		High level pulse width	tSCKH(1)				1			
			tSCKHA(1a)	<ul style="list-style-type: none"> <li>Continuous data transfer mode</li> <li>USB, AIF, SIO4, SIO9, and DMCOPY not used at the same time.</li> <li>See Fig. 8.</li> <li>(Note 4-1-2)</li> </ul>			4			
			tSCKHA(1b)	<ul style="list-style-type: none"> <li>Continuous data transfer mode</li> <li>USB used at the same time.</li> <li>AIF, SIO4, SIO9, and DMCOPY not used at the same time.</li> <li>See Fig. 8.</li> <li>(Note 4-1-2)</li> </ul>			7			
	tSCKHA(1c)	<ul style="list-style-type: none"> <li>Continuous data transfer mode</li> <li>USB, AIF, SIO4, SIO9, and DMCOPY used at the same time.</li> <li>See Fig. 8.</li> <li>(Note 4-1-2)</li> </ul>	9							
	Output clock	Frequency	tSCK(2)	SCK0(P12)	<ul style="list-style-type: none"> <li>When CMOS output type is selected</li> <li>See Fig. 8.</li> </ul>	2.7 to 5.5	4/3			tSCK
		Low level pulse width	tSCKL(2)		1/2					
		High level pulse width	tSCKH(2)		1/2					
			tSCKHA(2a)	<ul style="list-style-type: none"> <li>Continuous data transfer mode</li> <li>USB, AIF, SIO4, SIO9, and DMCOPY not used at the same time.</li> <li>When CMOS output type is selected</li> <li>See Fig. 8.</li> </ul>	tSCKH(2) + 2tCYC			tSCKH(2) + (10/3)tCYC	tCYC	
tSCKHA(2b)		<ul style="list-style-type: none"> <li>Continuous data transfer mode</li> <li>USB used at the same time.</li> <li>AIF, SIO4, SIO9, and DMCOPY not used at the same time.</li> <li>When CMOS output type is selected.</li> <li>See Fig. 8.</li> </ul>	tSCKH(2) + 2tCYC		tSCKH(2) + (19/3)tCYC					
tSCKHA(2c)	<ul style="list-style-type: none"> <li>Continuous data transfer mode</li> <li>USB, AIF, SIO4, SIO9, and DMCOPY used at the same time</li> <li>When CMOS output type is selected</li> <li>See Fig. 8.</li> </ul>	tSCKH(2) + 2tCYC		tSCKH(2) + (25/3)tCYC						

Note 4-1-1: These specifications are theoretical values. Margins must be allowed according to the actual operating conditions.

Note 4-1-2: In an application where the serial clock input is to be used in the continuous data transfer mode, the time from SIORUN being set when serial clock is high to the falling edge of the first serial clock must be longer than tSCKHA.

Continued on next page.



# LC87F1HC4B

Continued from preceding page.

Parameter		Symbol	Pin/ Remarks	Conditions	V <sub>DD</sub> [V]	Specification			
						min	typ	max	unit
Serial input	Data setup time	tsDI(1)	SB0(P11), SI0(P11)	<ul style="list-style-type: none"> <li>• Must be specified with respect to rising edge of SIOCLK.</li> <li>• See Fig. 8.</li> </ul>	2.7 to 5.5	0.03			
	Data hold time	thDI(1)				0.03			
Serial output	Output delay time	tdD0(1)	SO0(P10), SB0(P11)	<ul style="list-style-type: none"> <li>• Continuous data transfer mode</li> <li>• (Note 4-1-3)</li> </ul>	2.7 to 5.5			(1/3)tCYC +0.05	μs
		tdD0(2)				<ul style="list-style-type: none"> <li>• Synchronous 8-bit mode</li> <li>• (Note 4-1-3)</li> </ul>			
	Output clock	tdD0(3)		(Note 4-1-3)				(1/3)tCYC +0.05	

Note 4-1-3: Must be specified with respect to falling edge of SIOCLK.

Must be specified as the time to the beginning of output state change in open drain output mode. See Fig. 8.

## 2. SIO1 Serial I/O Characteristics (Note 4-2-1)

Parameter		Symbol	Pin/ Remarks	Conditions	V <sub>DD</sub> [V]	Specification				
						min	typ	max	unit	
Serial clock	Input clock	Frequency	SCK1(P15)	See Fig. 8.	2.7 to 5.5	2			tCYC	
		Low level pulse width				tSCKL(3)	1			
		High level pulse width				tSCKH(3)	1			
	Output clock	Frequency	SCK1(P15)	<ul style="list-style-type: none"> <li>• When CMOS output type is selected</li> <li>• See Fig. 8.</li> </ul>	2.7 to 5.5	2			tSCK	
		Low level pulse width				tSCKL(4)	1/2			
		High level pulse width				tSCKH(4)	1/2			
Serial input	Data setup time	tsDI(2)	SB1(P14), SI1(P14)	<ul style="list-style-type: none"> <li>• Must be specified with respect to rising edge of SIOCLK.</li> <li>• See Fig. 8.</li> </ul>	2.7 to 5.5	0.03				
	Data hold time	thDI(2)				0.03				
Serial output	Output delay time	tdD0(4)	SO1(P13), SB1(P14)	<ul style="list-style-type: none"> <li>• Must be specified with respect to falling edge of SIOCLK.</li> <li>• Must be specified as the time to the beginning of output state change in open drain output mode.</li> <li>• See Fig. 8.</li> </ul>	2.7 to 5.5			(1/3)tCYC +0.05	μs	

Note 4-2-1: These specifications are theoretical values. Margins must be allowed according to the actual operating conditions.

# LC87F1HC4B

## 3. SIO4 Serial I/O Characteristics (Note 4-3-1)

	Parameter	Symbol	Pin/ Remarks	Conditions	V <sub>DD</sub> [V]	Specification				
						min	typ	max	unit	
Serial clock	Input clock	Frequency	tSCK(5)	SCK4(P24)	See Fig. 8.	2.7 to 5.5	2			tCYC
		Low level pulse width	tSCKL(5)				1			
		High level pulse width	tSCKH(5)				1			
			tSCKHA(5a)				4			
			tSCKHA(5b)				7			
		tSCKHA(5c)	12							
	Output clock	Frequency	tSCK(6)	SCK4(P24)	<ul style="list-style-type: none"> <li>When CMOS output type is selected.</li> <li>See Fig. 8.</li> </ul>	2.7 to 5.5	4/3			tSCK
		Low level pulse width	tSCKL(6)				1/2			
		High level pulse width (Note 4-3-3)	tSCKH(6)				1/2			
			tSCKHA(6a)				tSCKH(6) + (5/3)tCYC	tSCKH(6) + (10/3)tCYC	tCYC	
			tSCKHA(6b)				tSCKH(6) + (5/3)tCYC	tSCKH(6) + (19/3)tCYC		
		tSCKHA(6c)	tSCKH(6) + (5/3)tCYC				tSCKH(6) + (34/3)tCYC			

Note 4-3-1: These specifications are theoretical values. Margins must be allowed according to the actual operating conditions.

Note 4-3-2: In an application where the serial clock input is to be used in the continuous data transfer mode, the period from the time SI4RUN is set with the serial clock set high to the falling edge of the first serial clock must be longer than tSCKHA.

Note 4-3-3: When using the serial clock output, make sure that the load at the SCK4 (P24) pin meets the following conditions:

Clock rise time tSCKR < 0.037μs (see Figure 12.) at Ta=+25°C, V<sub>DD</sub>=3.3V

Continued on next page.

# LC87F1HC4B

Continued from preceding page.

Parameter	Symbol	Pin/ Remarks	Conditions	V <sub>DD</sub> [V]	Specification				
					min	typ	max	unit	
Serial input	Data setup time	t <sub>sDI</sub> (3)	SO4(P22), SI4(P23)	• Must be specified with respect to falling edge of SIOCLK. • See Fig. 8	2.7 to 5.5	0.03			μs
	Data hold time	t <sub>hDI</sub> (3)				0.03			
Serial output	Output delay time	t <sub>dO</sub> (5)	SO4(P22), SI4(P23)	• Must be specified with respect to rising edge of SIOCLK. • Must be specified as the time to the beginning of output state change in open drain output mode. • See Fig. 8.	2.7 to 5.5		(1/3)t <sub>CYC</sub> +0.05		

## 4. SIO9 Serial I/O Characteristics (Note 4-4-1)

Parameter	Symbol	Pin/ Remarks	Conditions	V <sub>DD</sub> [V]	Specification				
					min	typ	max	unit	
Serial clock input clock	Frequency	t <sub>SCK</sub> (7)	SCK9(P27)	See Fig. 8.	2.7 to 5.5	2			t <sub>CYC</sub>
	Low level pulse width	t <sub>SCKL</sub> (7)				1			
	High level pulse width	t <sub>SCKH</sub> (7)				1			
		t <sub>SCKHA</sub> (7a)				4			
	t <sub>SCKHA</sub> (7b)	7							
t <sub>SCKHA</sub> (7c)	15								

Note 4-4-1: These specifications are theoretical values. Margins must be allowed according to the actual operating conditions.

Note 4-4-2: In an application where the serial clock input is to be used in the continuous data transfer mode, the period from the time SI9RUN is set with the serial clock set high to the falling edge of the first serial clock must be longer than t<sub>SCKHA</sub>.

Continued on next page

# LC87F1HC4B

Continued from preceding page

Parameter		Symbol	Pin/ Remarks	Conditions	V <sub>DD</sub> [V]	Specification				
						min	typ	max	unit	
Serial clock	Output clock	Frequency	tSCK(8)	SCK9(P27)	<ul style="list-style-type: none"> <li>When CMOS output type is selected.</li> <li>See Fig. 8.</li> </ul>	2.7 to 5.5	4/3			tCYC
		Low level pulse width	tSCKL(8)				1/2		tSCK	
		High level pulse width (Note 4-4-3)	tSCKH(8)	1/2			tCYC			
			tSCKHA(8a)	<ul style="list-style-type: none"> <li>USB, SIO0 continuous transfer mode, AIF SIO4 DMCOPY not used at the same time.</li> <li>When CMOS output type is selected.</li> <li>See Fig. 8.</li> </ul>	tSCKH(8) + (5/3)tCYC			tSCKH(8) + (10/3)tCYC		
tSCKHA(8b)	<ul style="list-style-type: none"> <li>USB used at the same time.</li> <li>SIO0 continuous transfer mode, AIF, SIO4, and DMCOPY not used at the same time.</li> <li>When CMOS output type is selected</li> <li>See Fig. 8.</li> </ul>	tSCKH(8) + (5/3)tCYC	tSCKH(8) + (19/3)tCYC							
		tSCKHA(8c)	<ul style="list-style-type: none"> <li>USB, SIO0 continuous transfer mode, SIO4, and DMCOPY used at the same time.</li> <li>AIF not used at the same time.</li> <li>When CMOS output type is selected.</li> <li>See Fig. 8.</li> </ul>		tSCKH(8) + (5/3)tCYC	tSCKH(8) + (43/3)tCYC				
Serial input	Data setup time	tsDI(4)	SO9(P25), SI9(P26)	<ul style="list-style-type: none"> <li>Must be specified with respect to rising edge of SIOCLK.</li> <li>See Fig. 8.</li> </ul>	2.7 to 5.5					
	Data hold time	thDI(4)								0.03
Serial output	Output delay time	tdDO(6)	SO9(P25), SI9(P26)	<ul style="list-style-type: none"> <li>Must be specified with respect to falling edge of SIOCLK.</li> <li>Must be specified as the time to the beginning of output state change in open drain output mode</li> <li>See Fig. 8.</li> </ul>	2.7 to 5.5			(1/3)tCYC +0.05	μs	

Note 4-4-3: When using the serial clock output, make sure that the load at the SCK9 (P27) pin meets the following conditions:

Clock rise time tSCKR < 0.037μs (see Figure 12.) at Ta=+25°C, V<sub>DD</sub>=3.3V

# LC87F1HC4B

## Pulse Input Conditions at Ta = -40°C to +85°C, VSS1 = VSS2 = VSS3 = 0V

Parameter	Symbol	Pin/Remarks	Conditions	Specification				
				V <sub>DD</sub> [V]	min	typ	max	unit
High/low level pulse width	tP1H(1) tP1L(1)	INT0(P70), INT1(P71), INT2(P72), INT4(P20 to P23), INT5(P24 to P27), INT6(P20), INT7(P24)	<ul style="list-style-type: none"> <li>Interrupt source flag can be set.</li> <li>Event inputs for timer 0 or 1 are enabled.</li> </ul>	2.7 to 5.5	1			tCYC
	tPIH(2) tPIL(2)	INT3(P73) when noise filter time constant is 1/1	<ul style="list-style-type: none"> <li>Interrupt source flag can be set.</li> <li>Event inputs for timer 0 are enabled.</li> </ul>	2.7 to 5.5	2			
	tPIH(3) tPIL(3)	INT3(P73) when noise filter time constant is 1/32	<ul style="list-style-type: none"> <li>Interrupt source flag can be set.</li> <li>Event inputs for timer 0 are enabled.</li> </ul>	2.7 to 5.5	64			
	tPIH(4) tPIL(4)	INT3(P73) when noise filter time constant is 1/128	<ul style="list-style-type: none"> <li>Interrupt source flag can be set.</li> <li>Event inputs for timer 0 are enabled.</li> </ul>	2.7 to 5.5	256			
	tPIL(5)	RMIN(P73)	Recognized by the infrared remote control receiver circuit as a signal	2.7 to 5.5	4			RMCK (Note 5-1)
	tPIL(6)	RES	Resetting is enabled.	2.7 to 5.5	200			μs

Note 5-1: Represents the period of the reference clock (1 tCYC to 128 tCYC or the source frequency of the subclock) for the infrared remote control receiver circuit.

## AD Converter Characteristics at Ta = -40°C to +85°C, VSS1 = VSS2 = VSS3 = 0V

Parameter	Symbol	Pin/Remarks	Conditions	Specification				
				V <sub>DD</sub> [V]	min	typ	max	unit
Resolution	N	AN0(P00) to		3.0 to 5.5		8		bit
Absolute accuracy	ET	AN7(P07), AN8(P70), AN9(P71), AN10(XT1), AN11(XT2)	(Note 6-1)	3.0 to 5.5			±1.5	LSB
Conversion time	TCAD		AD conversion time=32×tCYC (when ADCR2=0) (Note 6-2)	4.5 to 5.5	15.68 (tCYC= 0.490μs)		97.92 (tCYC= 3.06μs)	μs
				3.0 to 5.5	23.52 (tCYC= 0.735μs)		97.92 (tCYC= 3.06μs)	
			AD conversion time=64×tCYC (when ADCR2=1) (Note 6-2)	4.5 to 5.5	18.82 (tCYC= 0.294μs)		97.92 (tCYC= 1.53μs)	
				3.0 to 5.5	47.04 (tCYC= 0.735μs)		97.92 (tCYC= 1.53μs)	
Analog input voltage range	VAIN			3.0 to 5.5	V <sub>SS</sub>		V <sub>DD</sub>	V
Analog port input current	I <sub>AINH</sub>		V <sub>AIN</sub> =V <sub>DD</sub>	3.0 to 5.5			1	μA
	I <sub>AINL</sub>		V <sub>AIN</sub> =V <sub>SS</sub>	3.0 to 5.5	-1			

Note 6-1: The quantization error (±1/2LSB) is excluded from the absolute accuracy.

Note 6-2: The conversion time refers to the period from the time when an instruction for starting a conversion process is issued to the time the conversion results register(s) are loaded with a complete digital conversion value corresponding to the analog input value.

# LC87F1HC4B

## Consumption Current Characteristics at Ta = -40°C to +85°C, VSS1 = VSS2 = VSS3 = 0V

Parameter	Symbol	Pin/ Remarks	Conditions	Specification				
				VDD [V]	min	typ	max	unit
Normal mode consumption current (Note 7-1)	IDDOP(1)	VDD1 =VDD2 =VDD3	<ul style="list-style-type: none"> <li>FmCF=12MHz ceramic oscillation mode</li> <li>FsX'tal=32.768kHz crystal oscillation mode</li> <li>System clock set to 12MHz side</li> <li>Internal PLL oscillation stopped</li> <li>Internal RC oscillation stopped</li> <li>USB circuit stopped</li> <li>1/1 frequency division ratio</li> </ul>	4.5 to 5.5		9.8	24	mA
	IDDOP(2)		<ul style="list-style-type: none"> <li>Internal PLL oscillation stopped</li> <li>Internal RC oscillation stopped</li> <li>USB circuit stopped</li> <li>1/1 frequency division ratio</li> </ul>	3.0 to 3.6		5.7	14	
	IDDOP(3)		<ul style="list-style-type: none"> <li>FmCF=12MHz ceramic oscillation mode</li> <li>FsX'tal=32.768kHz crystal oscillation mode</li> <li>System clock set to 12MHz side</li> <li>Internal PLL oscillation mode active</li> <li>Internal RC oscillation stopped</li> <li>USB circuit active</li> <li>1/1 frequency division ratio</li> </ul>	4.5 to 5.5		15	35	
	IDDOP(4)		<ul style="list-style-type: none"> <li>Internal PLL oscillation mode active</li> <li>Internal RC oscillation stopped</li> <li>USB circuit active</li> <li>1/1 frequency division ratio</li> </ul>	3.0 to 3.6		7.7	20	
	IDDOP(5)		<ul style="list-style-type: none"> <li>FmCF=12MHz ceramic oscillation mode</li> <li>FsX'tal=32.768kHz crystal oscillation mode</li> <li>System clock set to 6MHz side</li> <li>Internal RC oscillation stopped</li> <li>1/2 frequency division ratio</li> </ul>	4.5 to 5.5		6.7	16	
	IDDOP(6)		<ul style="list-style-type: none"> <li>System clock set to 6MHz side</li> <li>Internal RC oscillation stopped</li> <li>1/2 frequency division ratio</li> </ul>	3.0 to 3.6		3.9	9.0	
	IDDOP(7)		<ul style="list-style-type: none"> <li>Internal RC oscillation stopped</li> <li>1/2 frequency division ratio</li> </ul>	2.7 to 3.0		3.2	7.3	
	IDDOP(8)		<ul style="list-style-type: none"> <li>FmCF=0Hz(oscillation stopped)</li> <li>FsX'tal=32.768kHz crystal oscillation mode</li> <li>System clock set to internal RC oscillation.</li> <li>1/2 frequency division ratio</li> </ul>	4.5 to 5.5		0.72	3.4	
	IDDOP(9)		<ul style="list-style-type: none"> <li>FsX'tal=32.768kHz crystal oscillation mode</li> <li>System clock set to internal RC oscillation.</li> <li>1/2 frequency division ratio</li> </ul>	3.0 to 3.6		0.41	1.9	
	IDDOP(10)		<ul style="list-style-type: none"> <li>System clock set to internal RC oscillation.</li> <li>1/2 frequency division ratio</li> </ul>	2.7 to 3.0		0.35	1.5	
	IDDOP(11)		<ul style="list-style-type: none"> <li>FmCF=0Hz(oscillation stopped)</li> <li>FsX'tal=32.768kHz crystal oscillation mode</li> <li>System clock set to crystal oscillation.</li> <li>(32.768kHz)</li> <li>Internal RC oscillation stopped</li> <li>1/2 frequency division ratio</li> </ul>	4.5 to 5.5		45	184	
	IDDOP(12)		<ul style="list-style-type: none"> <li>System clock set to crystal oscillation.</li> <li>(32.768kHz)</li> <li>Internal RC oscillation stopped</li> <li>1/2 frequency division ratio</li> </ul>	3.0 to 3.6		18	65	
	IDDOP(13)		<ul style="list-style-type: none"> <li>Internal RC oscillation stopped</li> <li>1/2 frequency division ratio</li> </ul>	2.7 to 3.0		14	47	
HALT mode consumption current (Note7-1)	IDDHALT(1)		<ul style="list-style-type: none"> <li>HALT mode</li> <li>FmCF=12MHz ceramic oscillation mode</li> <li>FsX'tal=32.768kHz crystal oscillation mode</li> <li>System clock set to 12MHz side</li> <li>Internal PLL oscillation stopped</li> <li>Internal RC oscillation stopped</li> <li>USB circuit stopped</li> <li>1/1 frequency division ratio</li> </ul>	4.5 to 5.5		4.9	12	mA
	IDDHALT(2)		<ul style="list-style-type: none"> <li>Internal PLL oscillation stopped</li> <li>Internal RC oscillation stopped</li> <li>USB circuit stopped</li> <li>1/1 frequency division ratio</li> </ul>	3.0 to 3.6		2.7	6.4	
	IDDHALT(3)		<ul style="list-style-type: none"> <li>HALT mode</li> <li>FmCF=12MHz ceramic oscillation mode</li> <li>FsX'tal=32.768kHz crystal oscillation mode</li> <li>System clock set to 12MHz side</li> <li>Internal PLL oscillation mode active</li> <li>Internal RC oscillation stopped</li> <li>USB circuit active</li> <li>1/1 frequency division ratio</li> </ul>	4.5 to 5.5		9.5	23	
	IDDHALT(4)		<ul style="list-style-type: none"> <li>Internal PLL oscillation mode active</li> <li>Internal RC oscillation stopped</li> <li>USB circuit active</li> <li>1/1 frequency division ratio</li> </ul>	3.0 to 3.6		4.7	12	
	IDDHALT(5)		<ul style="list-style-type: none"> <li>HALT mode</li> <li>FmCF=12MHz ceramic oscillation mode</li> <li>FsX'tal=32.768kHz crystal oscillation mode</li> <li>System clock set to 6MHz side</li> <li>Internal RC oscillation stopped</li> <li>1/2 frequency division ratio</li> </ul>	4.5 to 5.5		3.0	7.3	
	IDDHALT(6)		<ul style="list-style-type: none"> <li>System clock set to 6MHz side</li> <li>Internal RC oscillation stopped</li> <li>1/2 frequency division ratio</li> </ul>	3.0 to 3.6		1.6	3.8	
	IDDHALT(7)		<ul style="list-style-type: none"> <li>Internal RC oscillation stopped</li> <li>1/2 frequency division ratio</li> </ul>	2.7 to 3.0		1.3	2.9	
	IDDHALT(8)		<ul style="list-style-type: none"> <li>HALT mode</li> <li>FmCF=0Hz(oscillation stopped)</li> <li>FsX'tal=32.768kHz crystal oscillation mode</li> <li>System clock set to internal RC oscillation.</li> <li>1/2 frequency division ratio</li> </ul>	4.5 to 5.5		0.41	2.0	
	IDDHALT(9)		<ul style="list-style-type: none"> <li>FsX'tal=32.768kHz crystal oscillation mode</li> <li>System clock set to internal RC oscillation.</li> <li>1/2 frequency division ratio</li> </ul>	3.0 to 3.6		0.20	0.95	
	IDDHALT(10)		<ul style="list-style-type: none"> <li>System clock set to internal RC oscillation.</li> <li>1/2 frequency division ratio</li> </ul>	2.7 to 3.0		0.17	0.70	

Note 7-1: The consumption current value includes none of the currents that flow into the output Tr and internal pull-up resistors.

Continued on next page.

# LC87F1HC4B

Continued from preceding page.

Parameter	Symbol	Pin/ Remarks	Conditions	Specification				
				V <sub>DD</sub> [V]	min	typ	max	unit
HALT mode consumption current (Note 7-1)	IDDHALT(11)	V <sub>DD1</sub> =V <sub>DD2</sub> =V <sub>DD3</sub>	<ul style="list-style-type: none"> <li>• HALT mode</li> <li>• FmCF=0MHz (oscillation stopped)</li> <li>• FsX'tal=32.768kHz crystal oscillation mode (32.768kHz)</li> <li>• System clock set to crystal oscillation.</li> <li>• Internal RC oscillation stopped</li> <li>• 1/2 frequency division ratio</li> </ul>	4.5 to 5.5		31	132	mA
	IDDHALT(12)			3.0 to 3.6		9.1	39	
	IDDHALT(13)			2.7 to 3.0		6.3	27	
HOLD mode consumption current	IDDHOLD(1)	V <sub>DD1</sub>	<ul style="list-style-type: none"> <li>• HOLD mode</li> <li>• CF1=V<sub>DD</sub> or open (External clock mode)</li> </ul>	4.5 to 5.5		0.14	39	μA
	IDDHOLD(2)			3.0 to 3.6		0.04	19	
	IDDHOLD(3)			2.7 to 3.0		0.04	17	
Timer HOLD mode consumption current	IDDHOLD(4)	<ul style="list-style-type: none"> <li>• Timer HOLD mode</li> <li>• CF1=V<sub>DD</sub> or open (External clock mode)</li> <li>• FsX'tal=32.768kHz crystal oscillation mode</li> </ul>	4.5 to 5.5		25	115		
	IDDHOLD(5)		3.0 to 3.6		6.0	32		
	IDDHOLD(6)		2.7 to 3.0		3.7	20		

Note 7-1: The consumption current value includes none of the currents that flow into the output Tr and internal pull-up resistors

## USB Characteristics and Timing at Ta = -40°C to +85°C, V<sub>SS1</sub> = V<sub>SS2</sub> = V<sub>SS3</sub> = 0V

Parameter	Symbol	Conditions	Specification			
			min	typ	max	unit
High level output	V <sub>OH(USB)</sub>	• 15kΩ ± 5% to GND	2.8		3.6	V
Low level output	V <sub>OL(USB)</sub>	• 1.5kΩ ± 5% to 3.6V	0.0		0.3	V
Output signal crossover voltage	V <sub>CRS</sub>		1.3		2.0	V
Differential input sensitivity	V <sub>DI</sub>	•  (UHD+)-(UHD-)	0.2			V
Differential input common mode range	V <sub>CM</sub>		0.8		2.5	V
High level input	V <sub>IH(USB)</sub>		2.0			V
Low level input	V <sub>IL(USB)</sub>				0.8	V
USB data rise time	t <sub>R</sub>	• R <sub>S</sub> =33Ω, C <sub>L</sub> =50pF	4		20	ns
USB data fall time	t <sub>F</sub>	• R <sub>S</sub> =33Ω, C <sub>L</sub> =50pF	4		20	ns

## F-ROM Programming Characteristics at Ta = +10°C to +55°C, V<sub>SS1</sub> = 0V

Parameter	Symbol	Pin/ Remarks	Conditions	Specification				
				V <sub>DD</sub> [V]	min	typ	max	unit
Onboard programming current	IDDFW(1)	V <sub>DD1</sub>	• Excluding power dissipation in the microcontroller block	3.0 to 5.5		5	10	mA
Programming time	tFW(1)		• Erase operation	3.0 to 5.5		20	30	ms
	tFW(2)		• Write operation			40	60	μs

## Characteristics of a Sample Main System Clock Oscillation Circuit

Given below are the characteristics of a sample main system clock oscillation circuit that are measured using our company-designated oscillation characteristics evaluation board and external components with circuit constant values with which the oscillator vendor confirmed normal and stable oscillation.

Table 1 shows the characteristics of a oscillation circuit when USB host function is not used.

If USB host function is to be used, it is absolutely recommended to use an oscillator that satisfies the precision and stability according to the USB standards.

Table 1 Characteristics of a Sample Main System Clock Oscillator Circuit with a Ceramic Oscillator

Nominal Frequency	Vendor Name	Oscillator Name	Circuit Constant			Operating Voltage Range [V]	Oscillation Stabilization Time		Remarks
			C1 [pF]	C2 [pF]	Rd1 [ $\Omega$ ]		typ [ms]	max [ms]	
6MHz	MURATA	CSTCR6M00GH5L**-R0	(39)	(39)	1k	2.7 to 5.5	0.1	0.5	C1 and C2 integrated SMD type
8MHz	MURATA	CSTCE8M00GH5L**-R0	(33)	(33)	470	3.0 to 5.5	0.1	0.5	
10MHz	MURATA	CSTCE10M0GH5L**-R0	(33)	(33)	330	3.0 to 5.5	0.1	0.5	
12MHz	MURATA	CSTCE12M0GH5L**-R0	(33)	(33)	330	3.0 to 5.5	0.1	0.5	

The oscillation stabilization time refers to the time interval that is required for the oscillation to get stabilized in the following cases (see Figure 4):

- Till the oscillation gets stabilized after  $V_{DD}$  goes above the operating voltage lower limit.
- Till the oscillation gets stabilized after the instruction for starting the main clock oscillation circuit is executed
- Till the oscillation gets stabilized after the HOLD mode is reset.
- Till the oscillation gets stabilized after the X'tal HOLD mode is reset with CFSTOP (OCR register, bit 0) set to 0

## Characteristics of a Sample Subsystem Clock Oscillator Circuit

Given below are the characteristics of a sample subsystem clock oscillation circuit that are measured using an our company-designated oscillation characteristics evaluation board and external components with circuit constant values with which the oscillator vendor confirmed normal and stable oscillation.

Table 2 Characteristics of a Sample Subsystem Clock Oscillator Circuit with a Crystal Oscillator

Nominal Frequency	Vendor Name	Oscillator Name	Circuit Constant				Operating Voltage Range [V]	Oscillation Stabilization Time		Remarks
			C3 [pF]	C4 [pF]	Rf [ $\Omega$ ]	Rd2 [ $\Omega$ ]		typ [s]	max [s]	
32.768kHz	EPSON TOYOCOM	MC-306	18	18	OPEN	560k	2.7 to 5.5	1.1	3.0	Applicable CL value=12.5pF SMD type

The oscillation stabilization time refers to the time interval that is required for the oscillation to get stabilized in the following cases (see Figure 4):

- Till the oscillation gets stabilized after the instruction for starting the subclock oscillation circuit is executed
- Till the oscillation gets stabilized after the HOLD mode is reset with EXTOSC (OCR register, bit 6) set to 1

Note: The components that are involved in oscillation should be placed as close to the IC and to one another as possible because they are vulnerable to the influences of the circuit pattern.

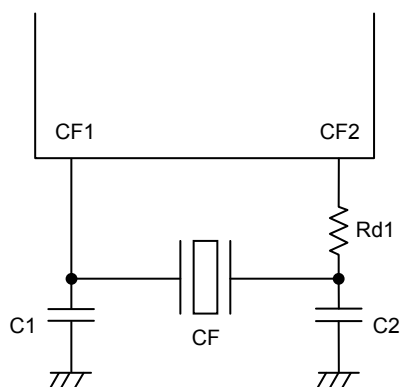


Figure 1. CF Oscillator Circuit

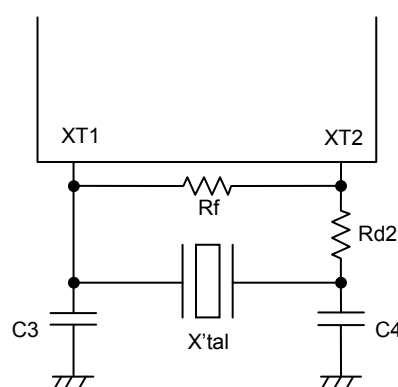


Figure 2. Crystal Oscillator Circuit



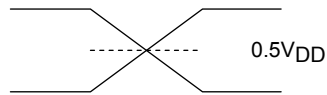
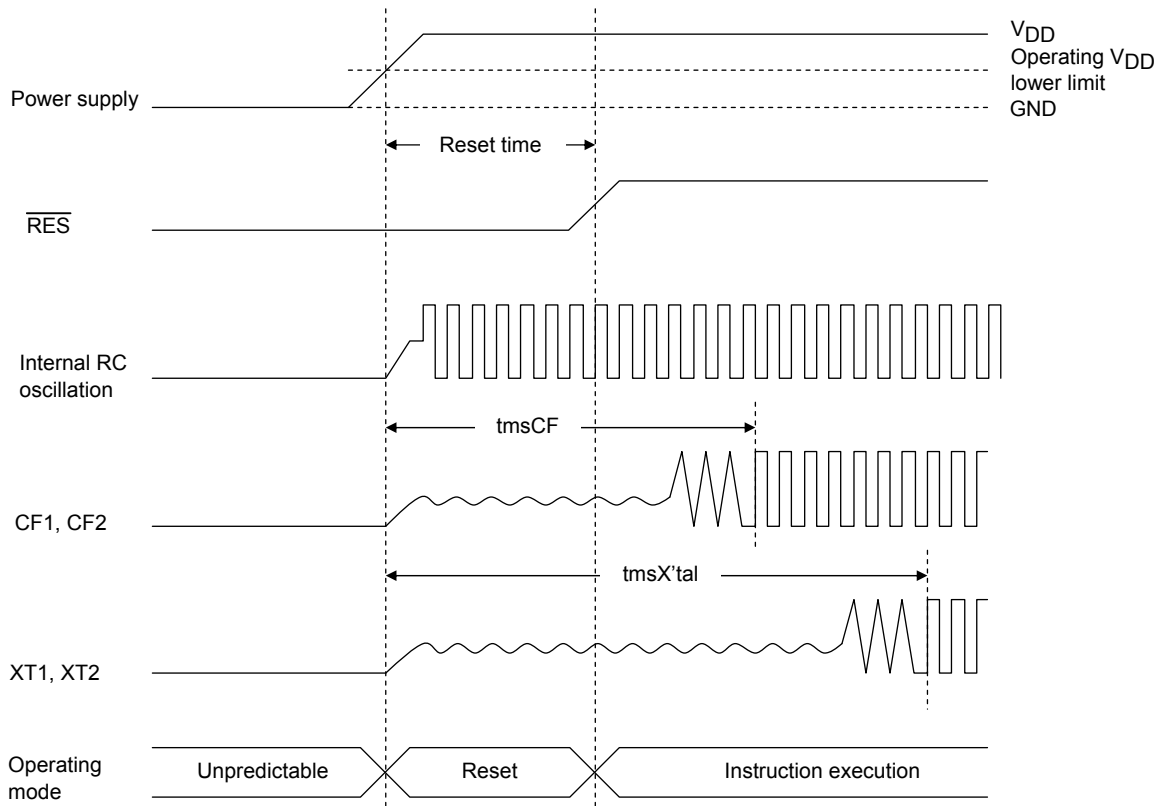
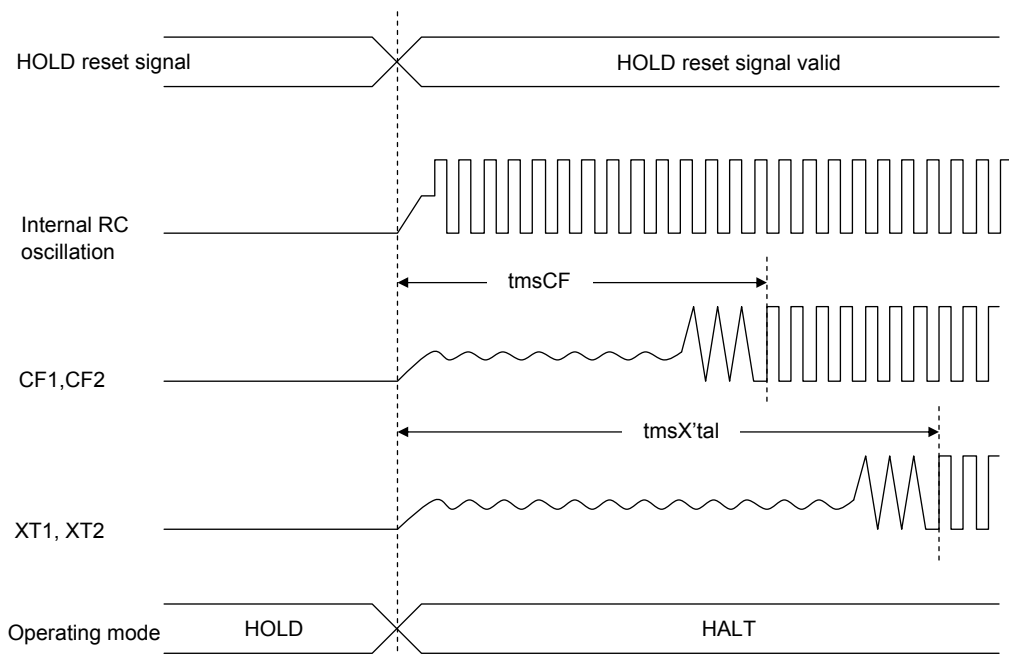


Figure 3. AC Timing Measurement Point

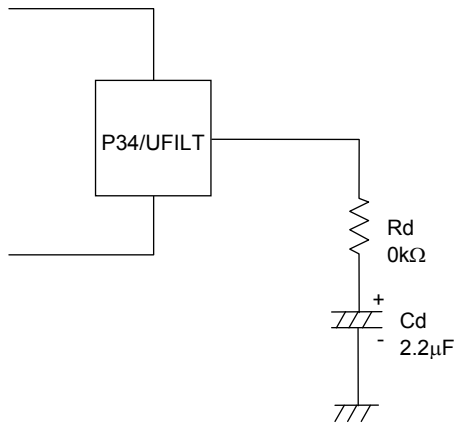


Reset Time and Oscillation Stabilization Time



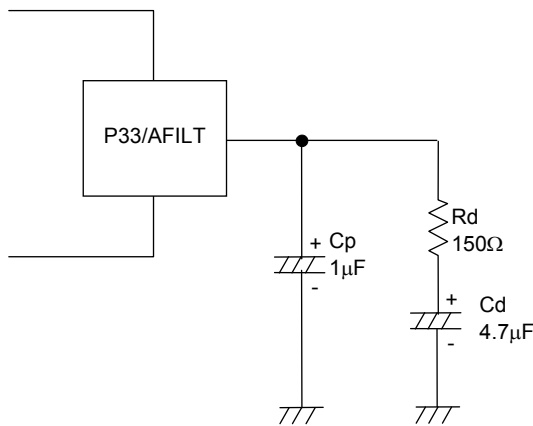
HOLD Reset Signal and Oscillation Stabilization Time

Figure 4. Oscillation Stabilization Time



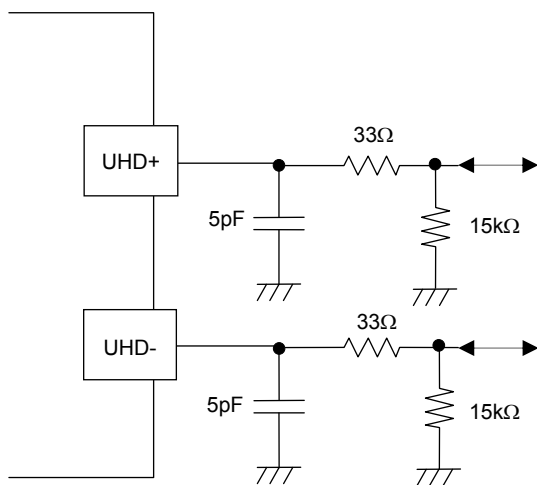
When using the internal PLL circuit to generate the 48MHz clock for USB , it is necessary to connect a filter circuit such to the P34/UFILT pin such as that shown in the left Fig.

Figure 5. External Filter Circuit for the Internal USB-dedicated PLL Circuit



To generate the master clock for the audio interface using the internal PLL circuit, it is necessary to connect a filter circuit to the P33/AFILT pin that is shown in the left Fig.

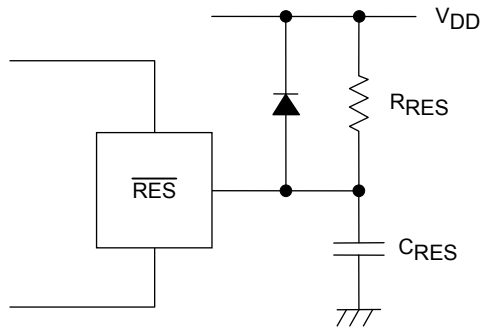
Figure 6. External Filter Circuit for Audio Interface (Used with Internal PLL Circuit)



It's necessary to adjust the Circuit Constant of the USB Port Peripheral Circuit for each mounting board.

Figure 7. USB Port Peripheral Circuit

# LC87F1HC4B



Note:  
Determine the value of  $C_{RES}$  and  $R_{RES}$  so that the reset signal is present for a period of  $200\mu s$  after the supply voltage goes beyond the lower limit of the IC's operating voltage.

Figure 8. Reset Circuit

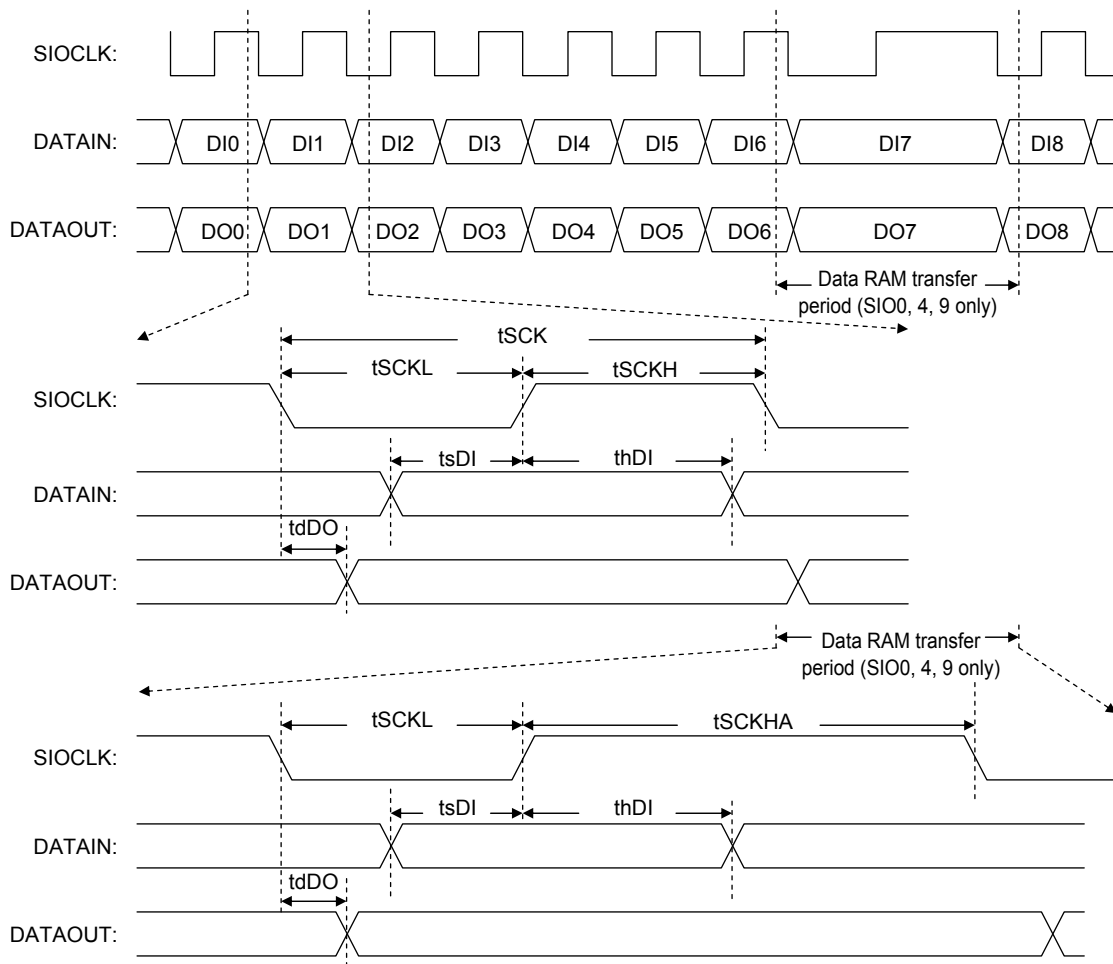


Figure 9. Serial Input/Output Waveform

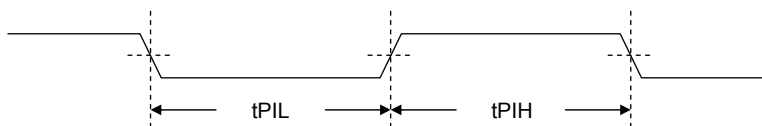


Figure 10. Pulse Input Timing Signal Waveform

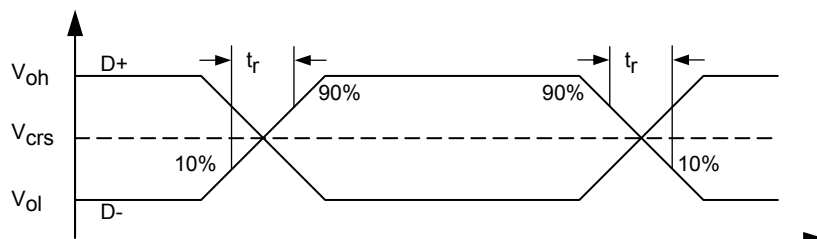
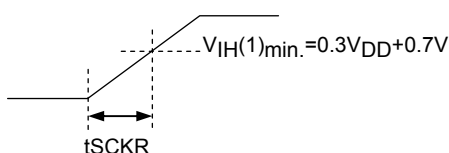


Figure 11. USB Data Signal Timing and Voltage Level



**tSCKR:**  
Defined as the time period from the time the state of the output starts changing till the time it reaches the minimum value of  $V_{IH}(1)$ .

Figure 12. Serial Clock Output Timing Signal Waveform

## ORDERING INFORMATION

Device	Package	Shipping (Qty / Packing)
LC87F1HC4BUWA-2H	SPQFP48 7x7 / SQFP48 (Pb-Free)	2500 / Tray JEDEC

ON Semiconductor and the ON logo are registered trademarks of Semiconductor Components Industries, LLC (SCILLC) or its subsidiaries in the United States and/or other countries. SCILLC owns the rights to a number of patents, trademarks, copyrights, trade secrets, and other intellectual property. A listing of SCILLC's product/patent coverage may be accessed at [www.onsemi.com/site/pdf/Patent-Marking.pdf](http://www.onsemi.com/site/pdf/Patent-Marking.pdf). SCILLC reserves the right to make changes without further notice to any products herein. SCILLC makes no warranty, representation or guarantee regarding the suitability of its products for any particular purpose, nor does SCILLC assume any liability arising out of the application or use of any product or circuit, and specifically disclaims any and all liability, including without limitation special, consequential or incidental damages. "Typical" parameters which may be provided in SCILLC data sheets and/or specifications can and do vary in different applications and actual performance may vary over time. All operating parameters, including "Typicals" must be validated for each customer application by customer's technical experts. SCILLC does not convey any license under its patent rights nor the rights of others. SCILLC products are not designed, intended, or authorized for use as components in systems intended for surgical implant into the body, or other applications intended to support or sustain life, or for any other application in which the failure of the SCILLC product could create a situation where personal injury or death may occur. Should Buyer purchase or use SCILLC products for any such unintended or unauthorized application, Buyer shall indemnify and hold SCILLC and its officers, employees, subsidiaries, affiliates, and distributors harmless against all claims, costs, damages, and expenses, and reasonable attorney fees arising out of, directly or indirectly, any claim of personal injury or death associated with such unintended or unauthorized use, even if such claim alleges that SCILLC was negligent regarding the design or manufacture of the part. SCILLC is an Equal Opportunity/Affirmative Action Employer. This literature is subject to all applicable copyright laws and is not for resale in any manner.