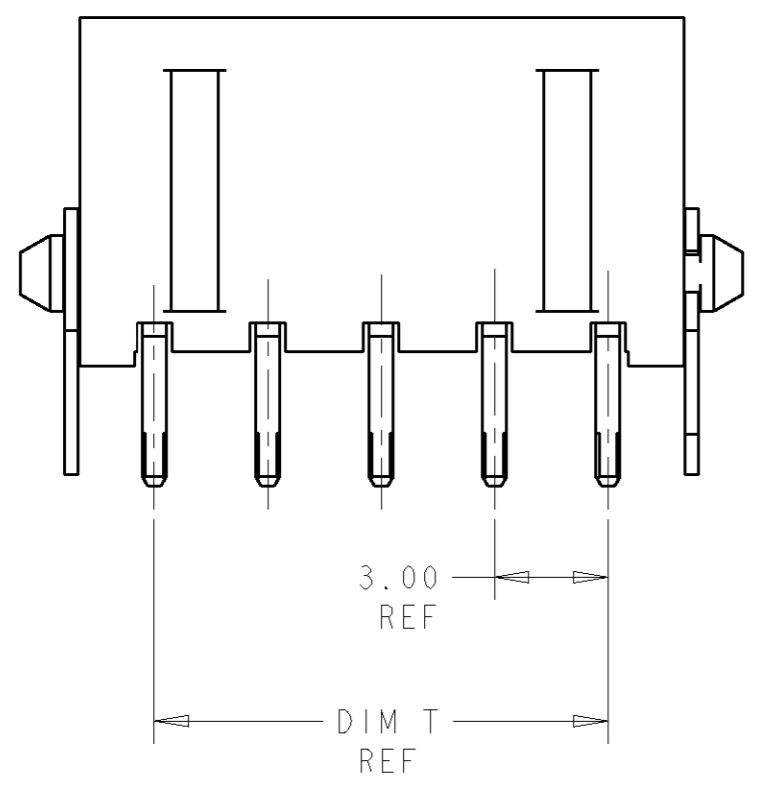
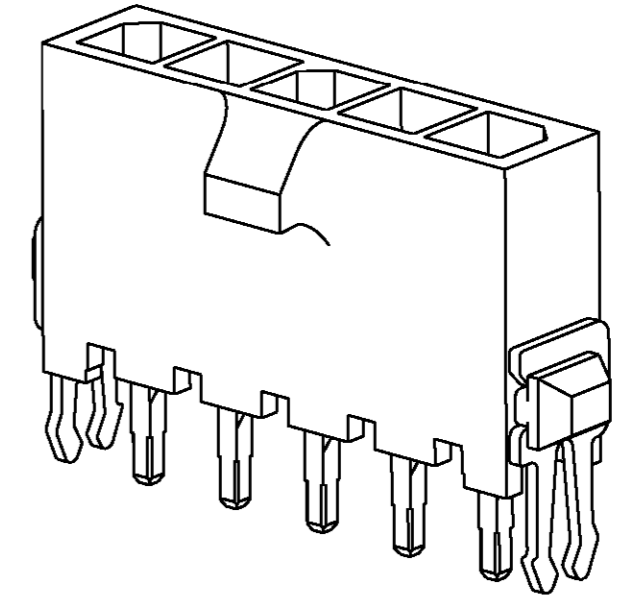
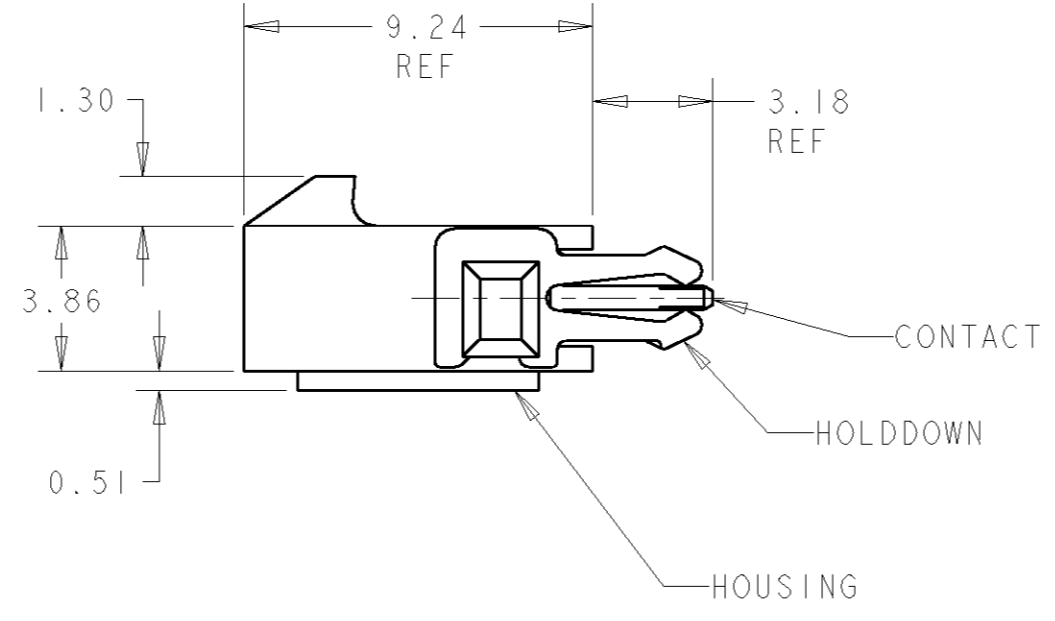
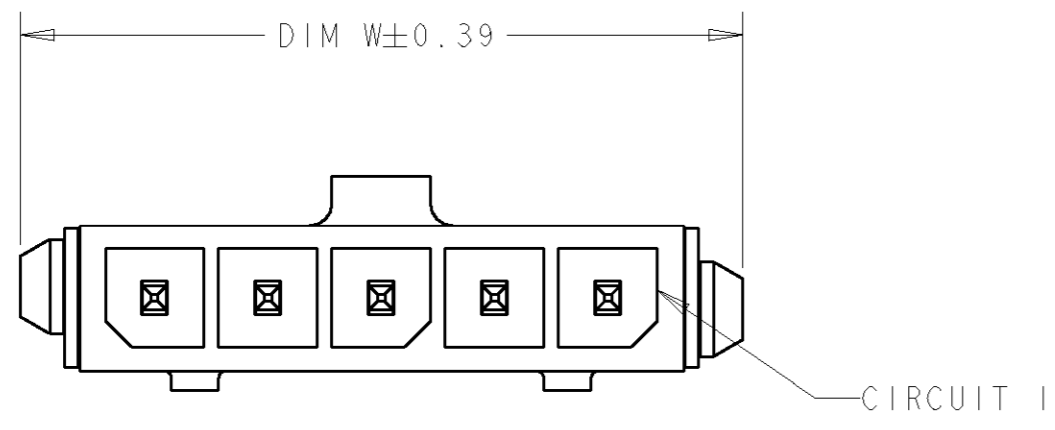
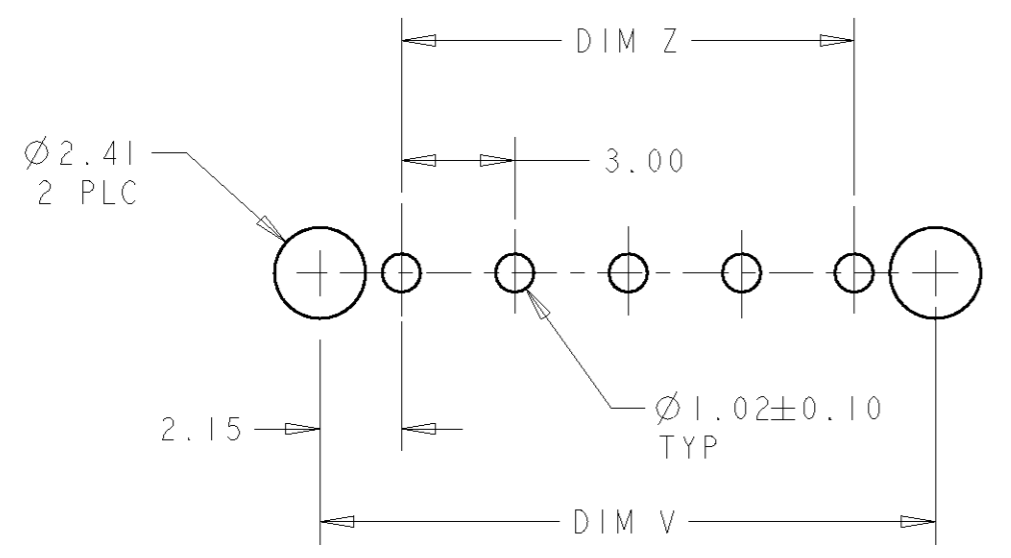


THIS DRAWING IS UNPUBLISHED. RELEASED FOR PUBLICATION .19
 © COPYRIGHT 19 BY AMP INCORPORATED. ALL RIGHTS RESERVED.

LOC	DIST	REVISIONS					
CM	00	P	LTR	DESCRIPTION	DATE	DWN	APVD
		0		RELEASED PER 0G3B-0330-01	21-AUG-01	KW	CJ

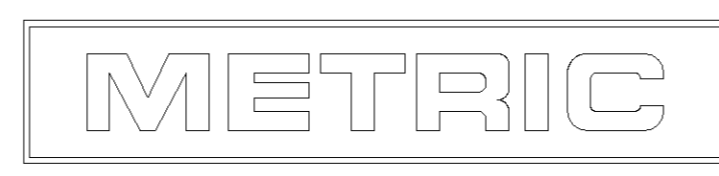


- 1 MATERIAL: CONTACTS - BRASS
HOUSING - UL 94V-0 RATED HIGH TEMP NYLON, COLOR BLACK.
HOLDDOWNS: - PHOSPHOR BRONZE.
- 2 PLATING: CONTACTS - 0.76µm MINIMUM GOLD ON MATING END,
2.54µm MINIMUM TIN LEAD ON SOLDER TAILS, BOTH OVER
1.27µm MINIMUM NICKEL.
HOLDDOWNS: 2.54µm MINIMUM TIN-LEAD OVER 1.27µm MINIMUM NICKEL.
- 4 RECOMMENDED PC BOARD THICKNESS OF 1.57.



PCB LAYOUT COMPONENT SIDE 4

33.00	37.43	33.00	40.14	12	1-1445094-2
30.00	34.43	30.00	37.14	11	1-1445094-1
27.00	31.43	27.00	34.14	10	1-1445094-0
24.00	28.43	24.00	31.14	9	1445094-9
21.00	25.43	21.00	28.14	8	1445094-8
18.00	22.43	18.00	25.14	7	1445094-7
15.00	19.43	15.00	22.14	6	1445094-6
12.00	16.43	12.00	19.14	5	1445094-5
9.00	13.43	9.00	16.14	4	1445094-4
6.00	10.43	6.00	13.14	3	1445094-3
3.00	7.43	3.00	10.14	2	1445094-2
DIM Z	DIM V	DIM T	DIM W	NO. OF POSN	PART NUMBER



THIS DRAWING IS A CONTROLLED DOCUMENT FOR AMP INCORPORATED. IT IS SUBJECT TO CHANGE AND THE CONTROLLING ENGINEERING ORGANIZATION SHOULD BE CONTACTED FOR THE LATEST REVISION.		DWN J.ROOT 10OCT2000 CHK K. WHITAKER 17-APR-2001 APVD C. JONES 17-APR-2001	AMP Tyco Electronics Harrisburg, PA 17105-3608
DIMENSIONS: mm 	TOLERANCES UNLESS OTHERWISE SPECIFIED: 0 PLC ± 1 PLC ± 2 PLC ±0.13 3 PLC ± 4 PLC ± ANGLES ± FINISH -	PRODUCT SPEC - APPLICATION SPEC - WEIGHT -	NAME VERTICAL THRU HOLE HEADER ASSY, 0.76 MIC GOLD CONTACTS, W/THRU HOLE HOLDDOWNS, SGL ROW. MICRO MATE-N-LOK™ SIZE A2 CAGE CODE 00779 DRAWING NO. 1445094
MATERIAL - 1	FINISH - 2	CUSTOMER DRAWING	SCALE 5:1 SHEET 1 OF 1 REV 0