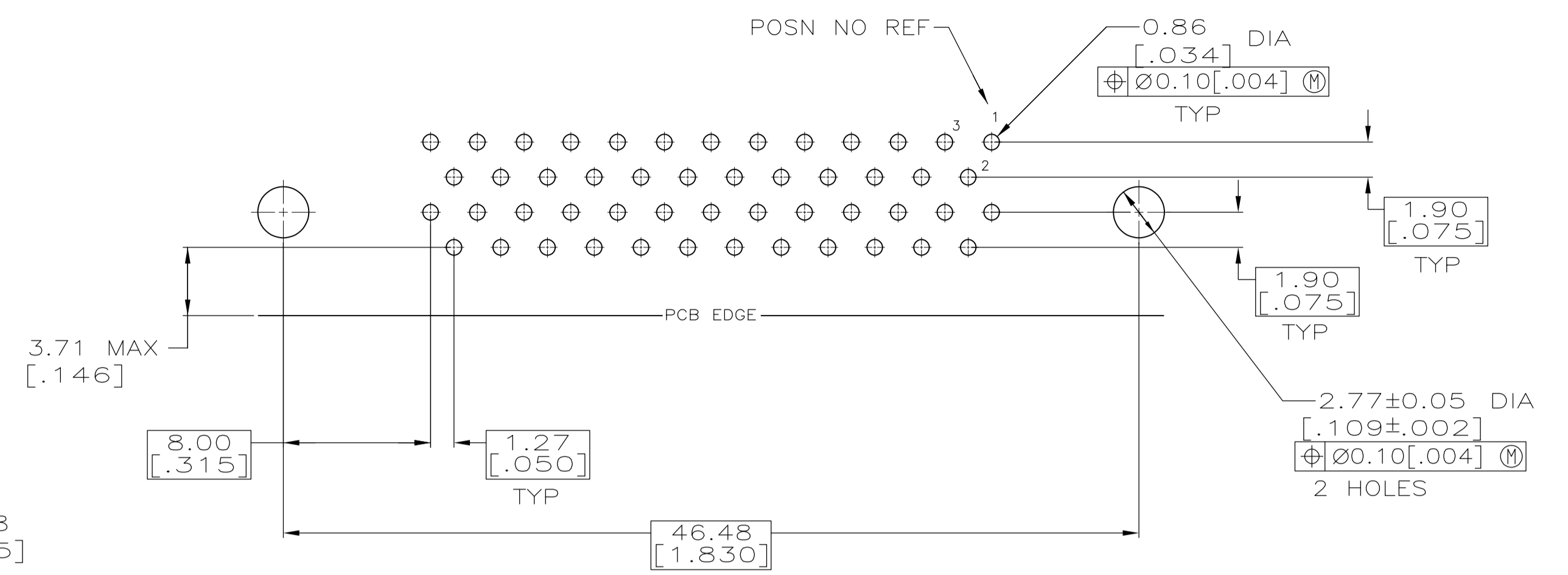
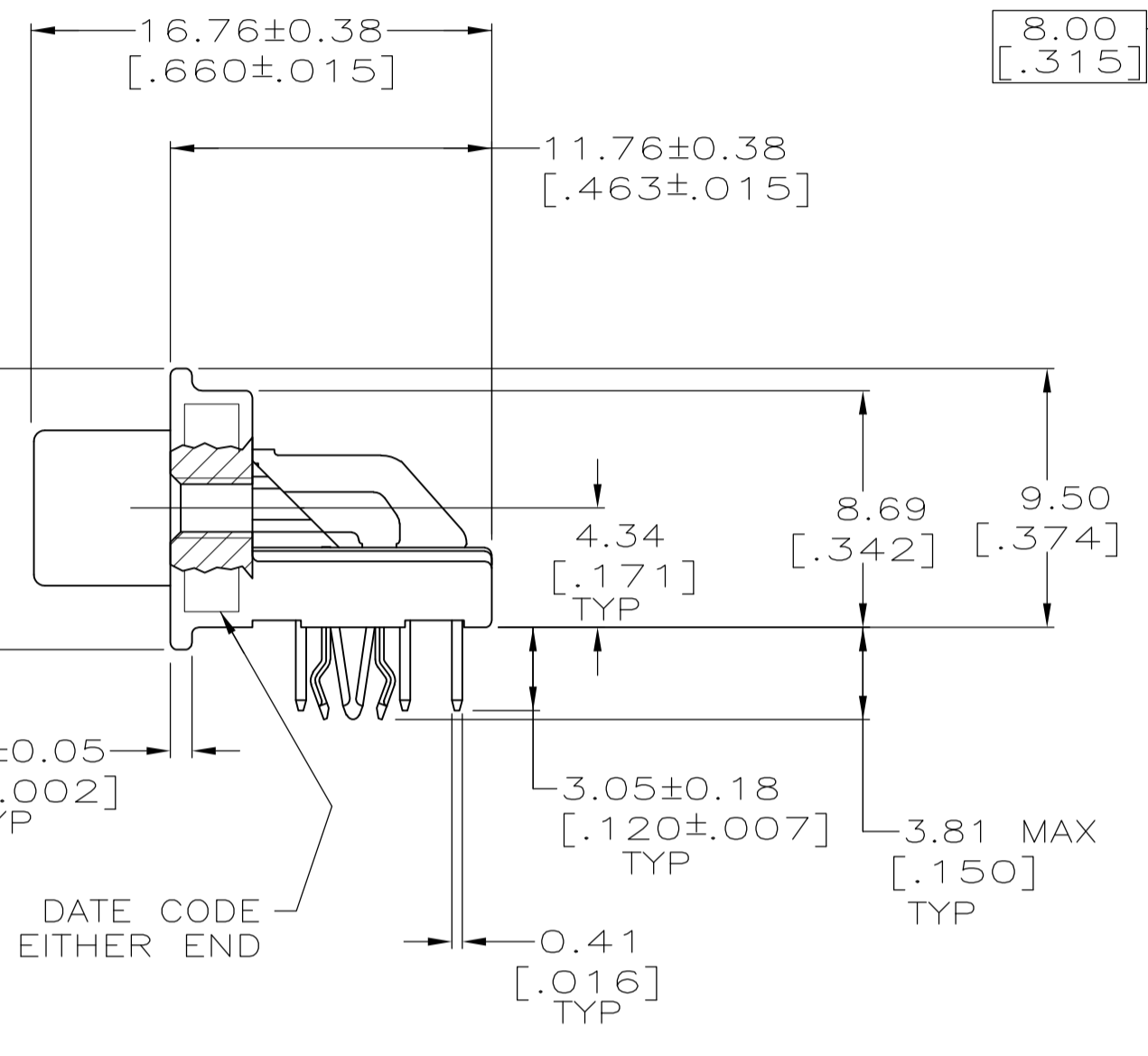
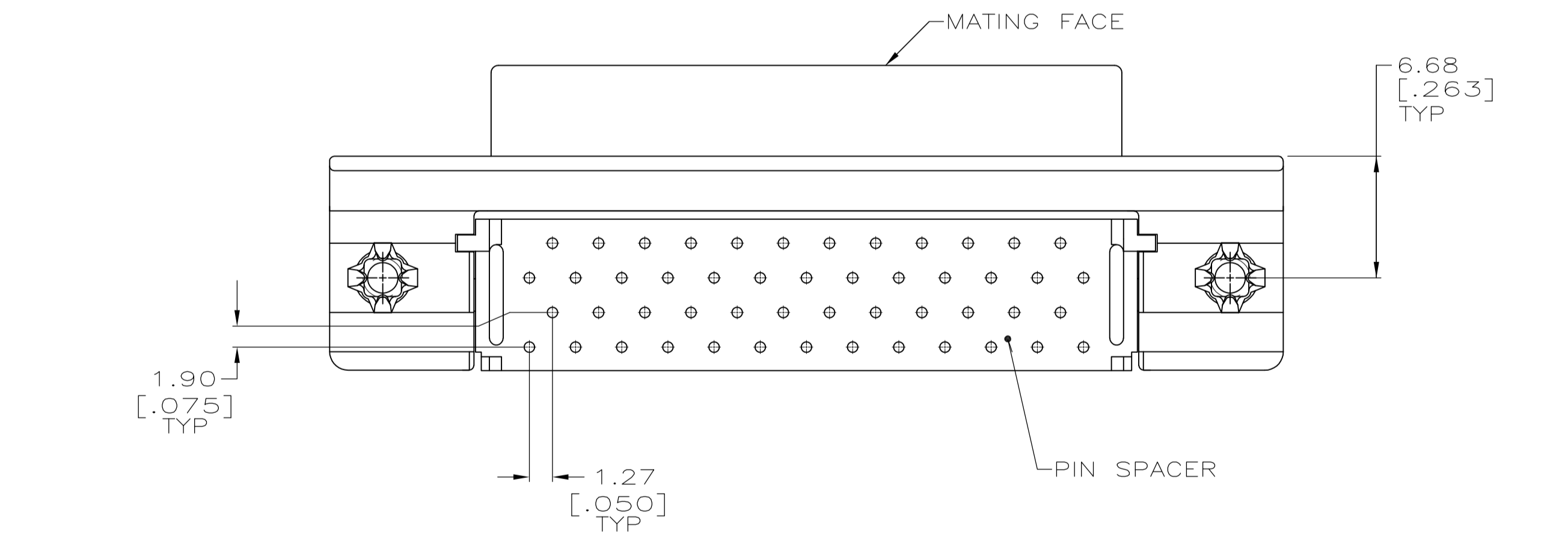
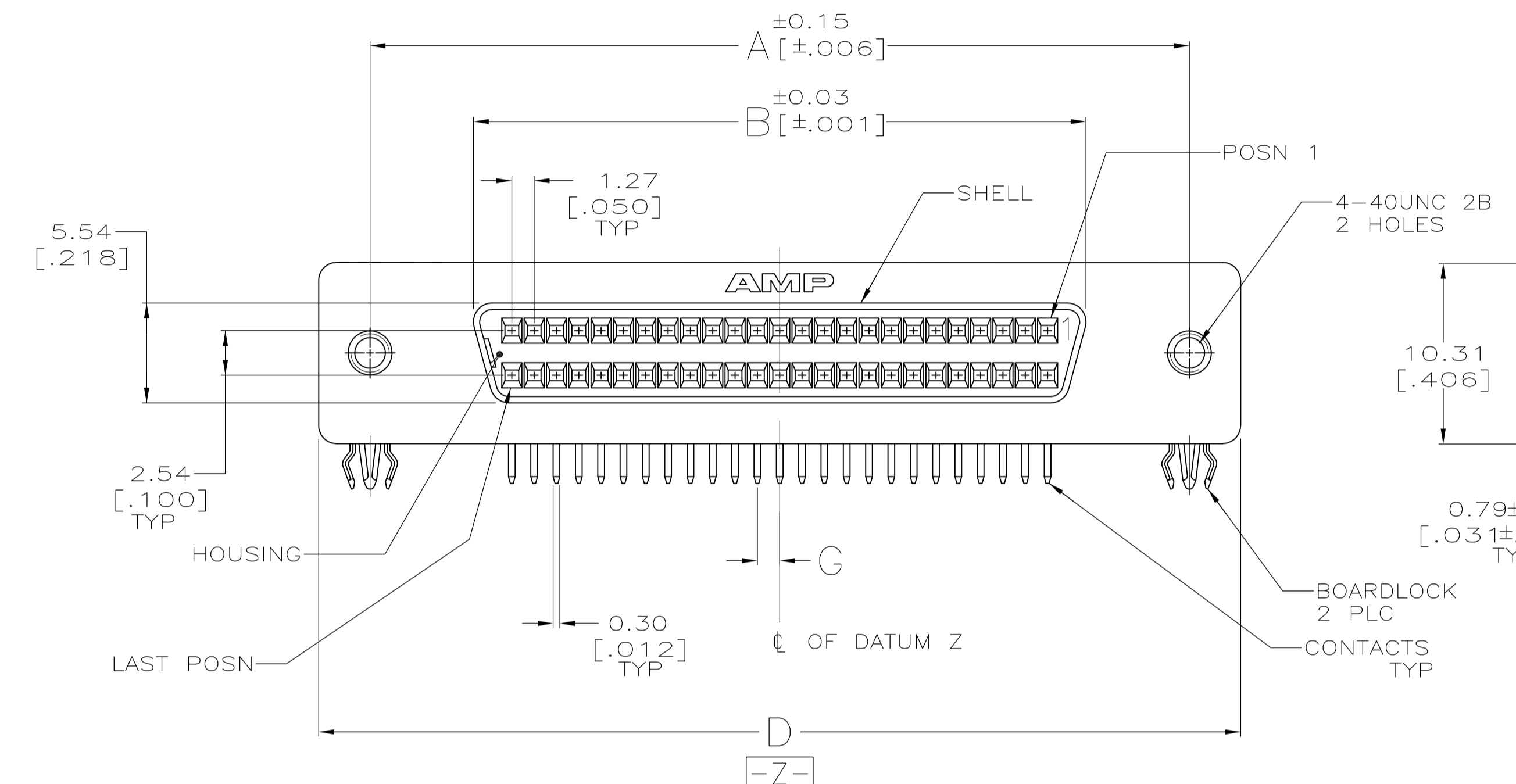
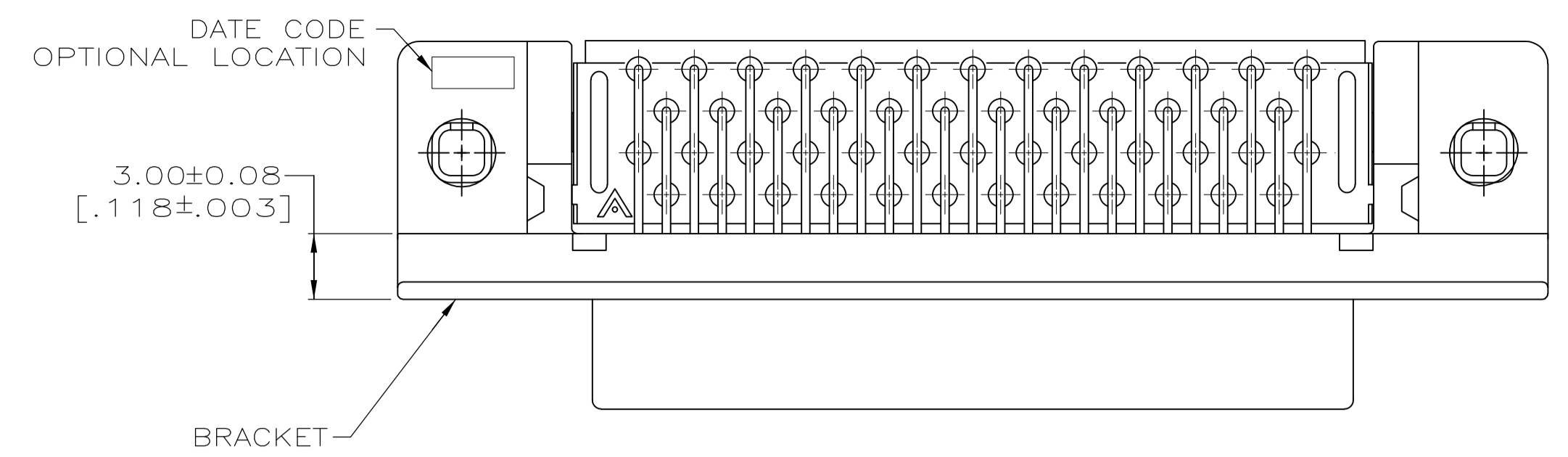
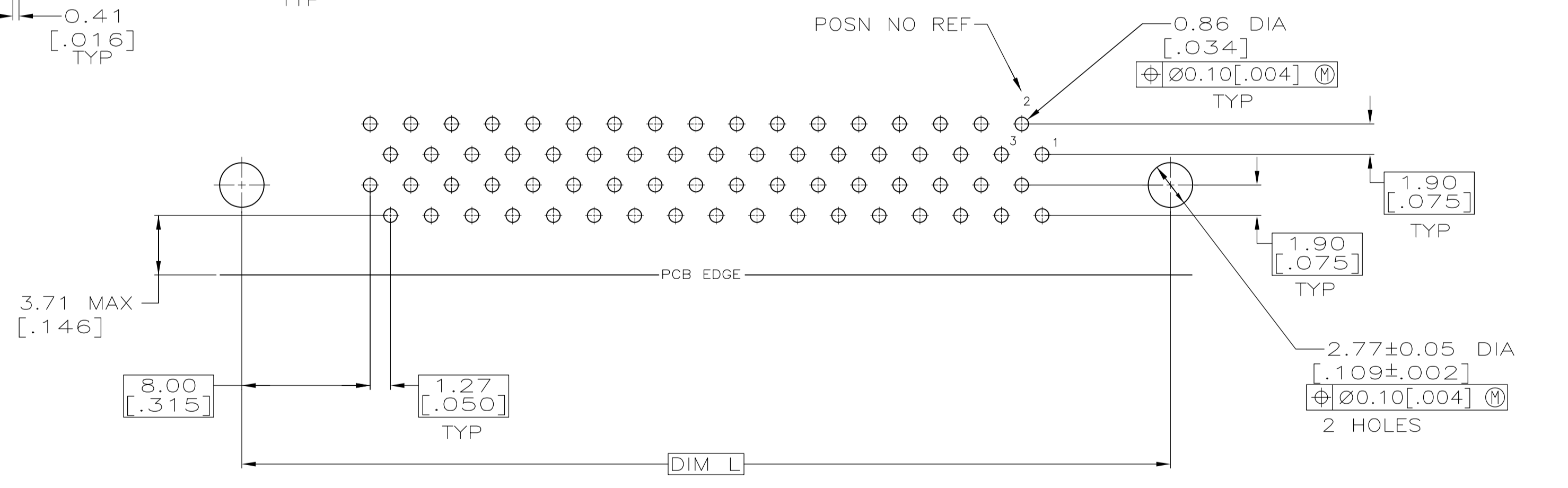


LOC	DIST	REVISIONS			
GP	00	REV	DESCRIPTION	DATE	BY
T		REVISED PER ECO-09-013072		3JUN2009	ZMR/SLB
T1		REVISED PER ECO-10-000443		18JAN2010	KK/HMR

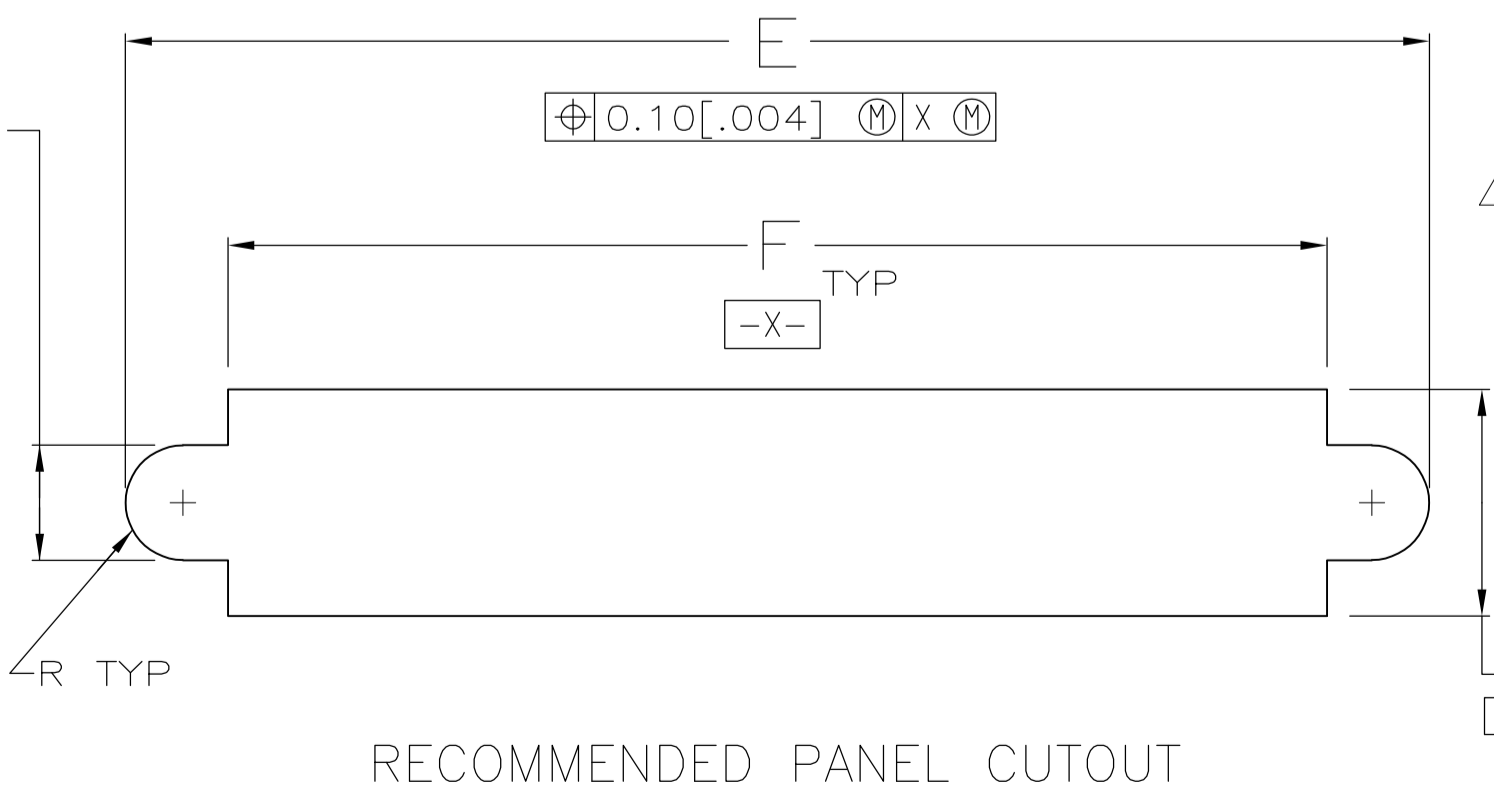
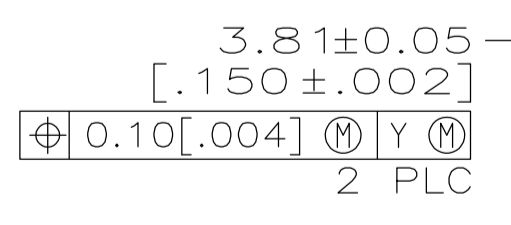


P.C. BOARD MOUNTING DIMENSIONS
CONNCTOR SIDE
P.C. BOARD THICKNESS 2.36±0.20 [.093±.008]
PC BOARD PATTERN S



P.C. BOARD MOUNTING DIMENSIONS
CONNCTOR SIDE
P.C. BOARD THICKNESS 2.36±0.20 [.093±.008]
PC BOARD PATTERN T

- MATERIAL**
CONTACTS: PHOSPHOR BRONZE
HOUSING & PIN SPACER: UL 94V-0 RATED, THERMOPLASTIC, BLACK
BRACKET: ZINC
SHELL: CARBON STEEL
BOARDLOCKS: COPPER ALLOY.
- FINISH**
CONTACTS: EITHER 0.76µm [.000030] MIN GOLD PLATE FOR A LENGTH OF 0.64 [.025] MAX, 0.13 [.005] MIN FROM MATING END OR GOLD FLASH OVER PALLADIUM NICKEL PLATE, 0.76µm [.000030] MIN TOTAL FOR A LENGTH OF 0.64 [.025] MAX, 0.13 [.005] MIN FROM MATING END. 3.81µm [.000150] MIN TIN-LEAD ON OPPOSITE END FOR A LENGTH OF 3.23 [.127] MIN, BOTH OVER 1.27µm [.000050] MIN NICKEL.
SHELL: 5.08µm [.000200] MIN NICKEL OVER 1.27µm [.000050] MIN COPPER.
BRACKET: 2.54µm [.000100] MIN NICKEL OVER 5.08µm [.000200] COPPER.
- 5.08µm [.000200] MIN TIN-LEAD OVER 1.27µm [.000050] MIN NICKEL.
- 3.00µm [.000118] MIN TIN OVER 1.27µm [.000050] MIN NICKEL.
- OBSELETE PARTS: OBSELETE CIS STREAMLINING PER D.RENAUD/D.SINISI



RECOMMENDED PANEL CUTOUT

SUP BY	REV	QTY	L	G	F	E	D	B	A	NO OF POSN	PART NUMBER
5787362-9	T	100	78.23 [3.080]	0.64 [.025]	69.44 [2.734]	82.04 [3.230]	84.20 [3.315]	66.45 [2.616]	78.23 [3.080]	100	1-787362-0
	T	100	78.23 [3.080]	0.64 [.025]	69.44 [2.734]	82.04 [3.230]	84.20 [3.315]	66.45 [2.616]	78.23 [3.080]	100	787362-9
	T	68	57.91 [2.280]	0.64 [.025]	49.12 [1.934]	61.72 [2.430]	63.88 [2.515]	46.13 [1.816]	57.91 [2.280]	68	787362-7
	S	50	-	1.27 [.050]	37.69 [1.484]	50.29 [1.980]	52.45 [2.065]	34.70 [1.366]	46.48 [1.830]	50	787362-5
OBSELETE	T	40	40.13 [1.580]	0.64 [.025]	36.78 [1.448]	43.56 [1.715]	46.10 [1.815]	28.35 [1.116]	40.13 [1.580]	40	787362-4

THIS DRAWING IS A CONTROLLED DOCUMENT.

DIMENSIONS: mm [INCHES]	TOLERANCES UNLESS OTHERWISE SPECIFIED:	DIN D. HARDY 12-21-94	12-22-94	Tyco Electronics Corporation Harrisburg, PA 17105-3608
0 PLC ± -	1 PLC ± -	2 PLC ± -	3 PLC ± 0.13 [.005]	4 PLC ± -
ANGLES ± -				
MATERIAL	FINISH	APPROVED: R. WALTER 12-22-94	NAME: R. WALTER	RECEPTACLE ASSEMBLY, SHIELDED, RIGHT ANGLE, TM
		PRODUCT SPEC: 108-1228	APPLICATION SPEC: 114-40029	SIZE: A1
		WEIGHT: -	CAGE CODE: 00779	DRAWING NO: 787362
		CUSTOMER DRAWING	SCALE: 4:1	SHEET: 1 OF 1