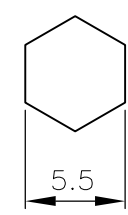


THIS DRAWING IS UNPUBLISHED. RELEASED FOR PUBLICATION APRIL, 2004.
 © COPYRIGHT 2004 By - ALL RIGHTS RESERVED.

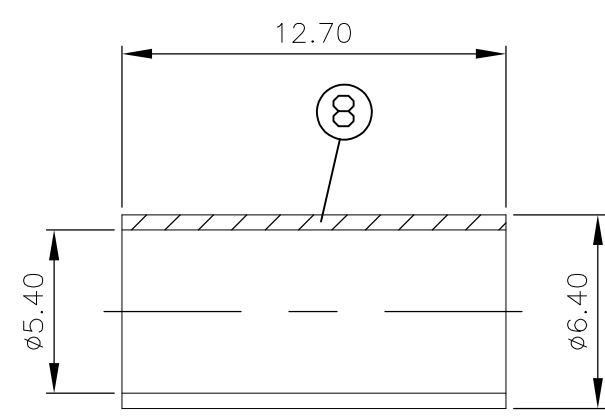
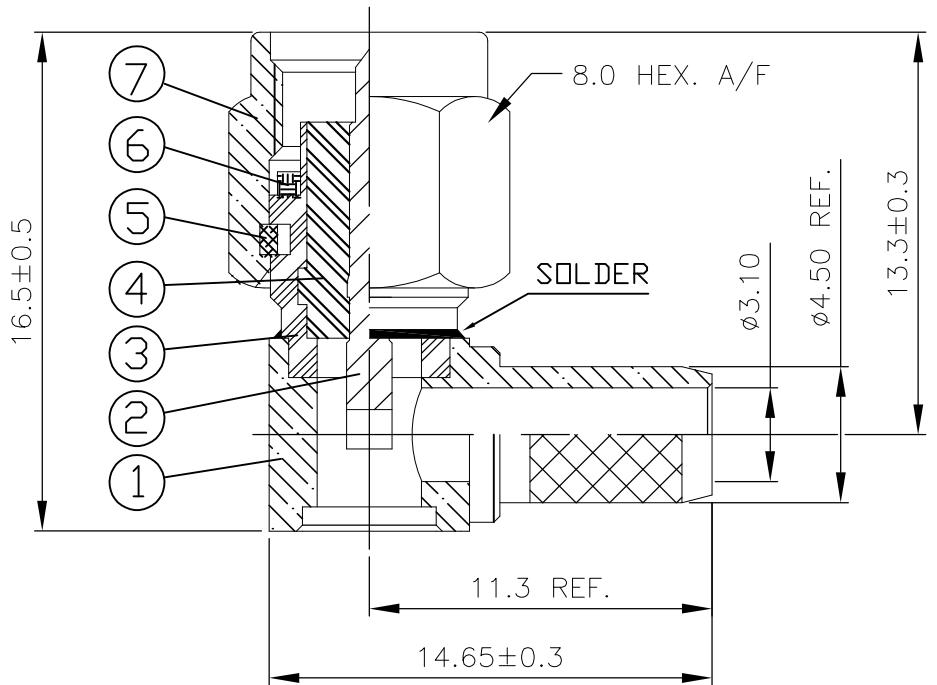
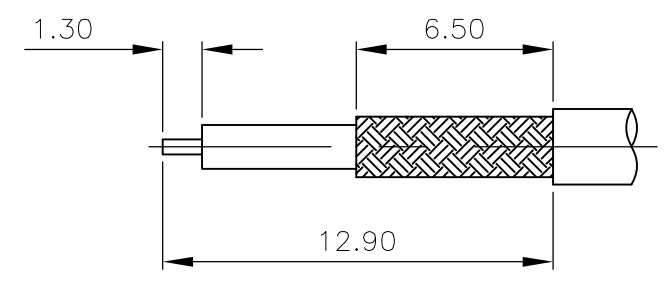
LOC	DIST	REVISIONS					
E	B	P	LTR	DESCRIPTION	DATE	DWN	APVD
		A1		REVISED PER ECO-11-005033	01APR11	RK	HMR

- NOTES:
- 1 SINGLE PACK IN ACCORDANCE WITH SPEC 107-3275
 - 2 100 TRAY PACK IN ACCORDANCE WITH SPEC 107-3275
 - 3 0.08µm Au PLATING OVER 1.27µm Ni PLATING
 - 4 0.08µm Au PLATING OVER 1.27µm Ni PLATING OVER 0.76µm Cu PLATING
 - 5 0.76µm Au PLATING OVER 1.27µm Ni PLATING OVER 0.76µm Cu PLATING
 - 6 PASSIVATED
 - 7 WHITE BRONZE PLATING
 - 8 PLATING AS PER BODY, EXCEPT FOR PASSIVATED WHICH IS NICKEL PLATED
- 9 HAND TOOL 9-1478240-0
 10 DIE SET 9-1478242-0
 11 FOR TECHNICAL DATA REFER TO YOUR LOCAL TE CONNECTIVITY SALES OFFICE
 12 ALL DIMENSIONS ARE NOMINAL FOR REFERENCE ONLY UNLESS OTHERWISE STATED

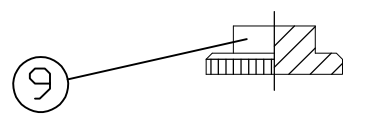
RECOMMENDED
CRIMP SLEEVE
A/F HEX



RECOMMENDED
CABLE STRIPPING DIM'S



1	1	-	-	-	-	-	-	BRASS	7	CAP	9
-	-	1	1	-	-	-	-	BRASS	4	CAP	9
-	-	-	-	1	1	-	-	STAINLESS STEEL	6	CAP	9
-	-	-	-	-	-	1	1	STAINLESS STEEL	3	CAP	9
1	1	1	1	1	1	1	1	BRASS	8	CRIMP SLEEVE	8
1	1	-	-	-	-	-	-	BRASS	7	SHELL	7
-	-	1	1	-	-	-	-	BRASS	4	SHELL	7
-	-	-	-	1	1	-	-	STAINLESS STEEL	6	SHELL	7
-	-	-	-	-	-	1	1	STAINLESS STEEL	3	SHELL	7
1	1	1	1	1	1	1	1	SILICON		GASKET	6
1	1	1	1	1	1	1	1	STAINLESS STEEL		CIRCLIP	5
1	1	1	1	1	1	1	1	PTFE		INSULATOR	4
1	1	-	-	-	-	-	-	BRASS	7	BODY	3
-	-	1	1	-	-	-	-	BRASS	4	BODY	3
-	-	-	-	1	1	-	-	STAINLESS STEEL	6	BODY	3
-	-	-	-	-	-	1	1	STAINLESS STEEL	3	BODY	3
1	1	1	1	1	1	1	1	BRASS	5	CENTER CONTACT	2
1	1	-	-	-	-	-	-	BRASS	7	BODY	1
-	-	1	1	-	-	-	-	BRASS	4	BODY	1
-	-	-	-	1	1	-	-	STAINLESS STEEL	6	BODY	1
-	-	-	-	-	-	1	1	STAINLESS STEEL	3	BODY	1
4--1	4--0	3--1	3--0	2--1	2--0	1--1	1--0	MATERIAL		DESCRIPTION	ITEM
2	1	2	1	2	1	2	1				



THIS DRAWING IS A CONTROLLED DOCUMENT.

DWN: R.SMITH 10FEB04
 CHK: S.PARLOW 10FEB04
 APVD: F.WHEELER-KING 10FEB04

PRODUCT SPEC: 108-3460
 APPLICATION SPEC: 411-3276
 WEIGHT: -

STE TE Connectivity

NAME: SMA RIGHT ANGLE CRIMP ATTACHMENT CAPTIVE CONTACT
 RG58C/U, 141A/U, URM43, URM76, KX15

SIZE: A3 CAGE CODE: 00779 DRAWING NO: C-1478923 RESTRICTED TO: -

CUSTOMER DRAWING SCALE: 1:1 SHEET: 1 OF 1 REV: A1