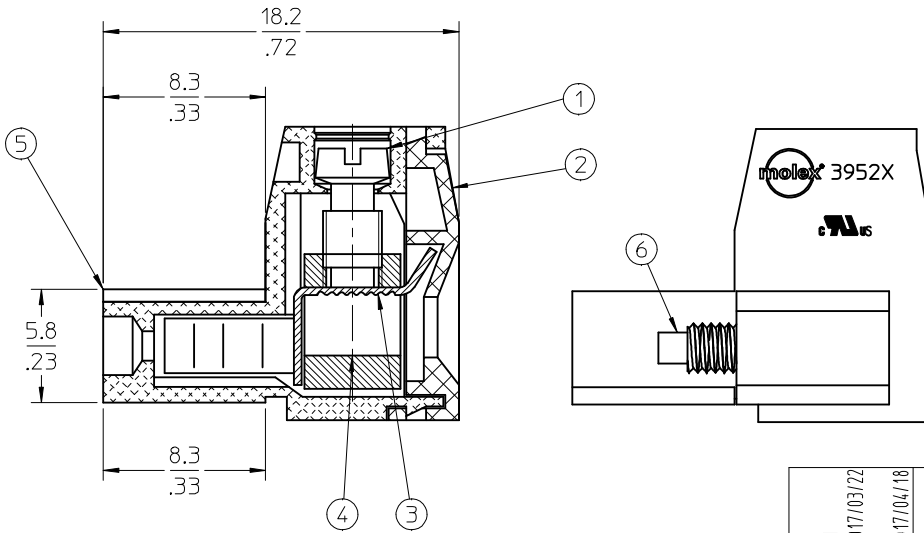
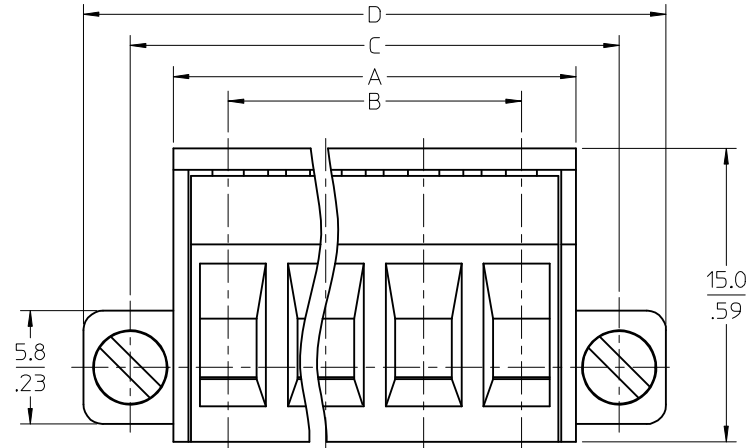
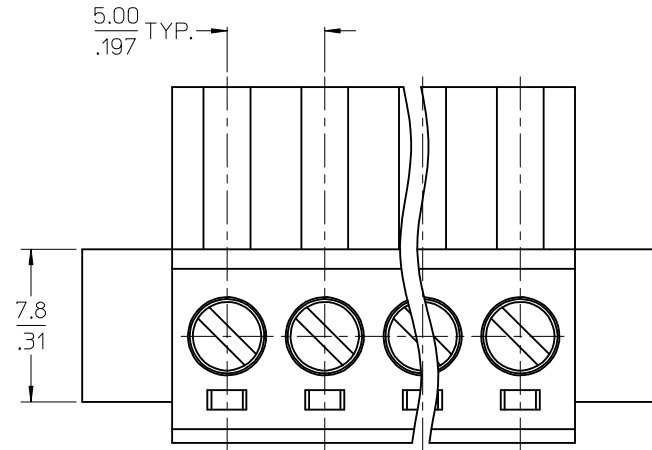
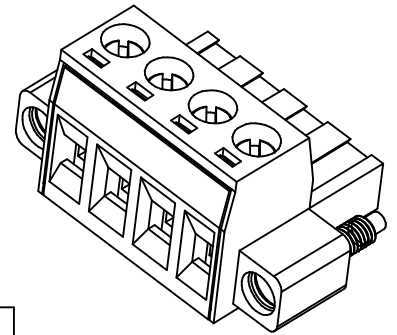


SPECIFICATIONS:

1. MATERIAL:
 - (1). SCREW: STEEL.
 - (2). COVER: NYLON 66 (UL94V-0)
 - (3). TERMINAL: PHOSPHOR BRONZE
 - (4). CAGE (*): BRASS
 - (5). BODY: NYLON 66 (UL94V-0)
 - (6). SCREW: STEEL
2. PRODUCT SPECIFICATION: PS-39500-001
3. WIRE RANGE: 30 - 12AWG
4. TORQUE: 5 in-lbs
5. WIRE STRIP LENGTH: 6.50/.256
6. NUMBER OF CIRCUIT POSITIONS AVAILABLE = 2 THROUGH 24
7. ASSEMBLY IS ROHS COMPLIANT BY EXEMPTION
COMPONENTS MARKED WITH AN ASTERISK (*) ARE ROHS COMPLIANT BY EXEMPTION, ALL OTHERS ARE ROHS COMPLIANT



>120	±0.80	
>30-120	±0.50	
>6-30	±0.40	
0-6	±0.25	
TOLERANCES		

TOLERANCES			
MM	TOL	INCH	TOL
0-6	±0.25	0-.24	±.010
>6-30	±0.40	.24-1.18	±.016
>30-120	±0.50	1.18-4.76	±.020
>120	±0.80	>4.76	±.031

REVISED DOC. TOL
 EC NO: IPG2017-0881
 DRAWN: CRADDOREMS 2017/03/22
 CHKD: C3
 APPR: BRUPERT 2017/04/18

QUALITY SYMBOLS

 REV

GENERAL TOLERANCES (UNLESS SPECIFIED)

	mm	INCH
4 PLACES	±---	±---
3 PLACES	±---	±---
2 PLACES	±---	±---
1 PLACE	±---	±---

ANGULAR ±---°

DRAFT WHERE APPLICABLE
MUST REMAIN WITHIN DIMENSIONS

DIMENSION STYLE
MM/IN

DRAWN BY	DATE
LROTHAUS	12/6/05
CHECKED BY	DATE
C. YORK	01/06/06
APPROVED BY	DATE
DTITUS	2010/07/01

MATERIAL NO.
SEE SHEET 2

SCALE
DESIGN UNITS
INCH

THIRD ANGLE PROJECTION

5.0MM, EURO PLUG,
RIGHT ANGLE,
MOUNTING ENDS

Molex MOLEX INCORPORATED

DOCUMENT NO. SD-39524-001

SHEET NO. 1 OF 2

THIS DRAWING CONTAINS INFORMATION THAT IS PROPRIETARY TO MOLEX INCORPORATED AND SHOULD NOT BE USED WITHOUT WRITTEN PERMISSION