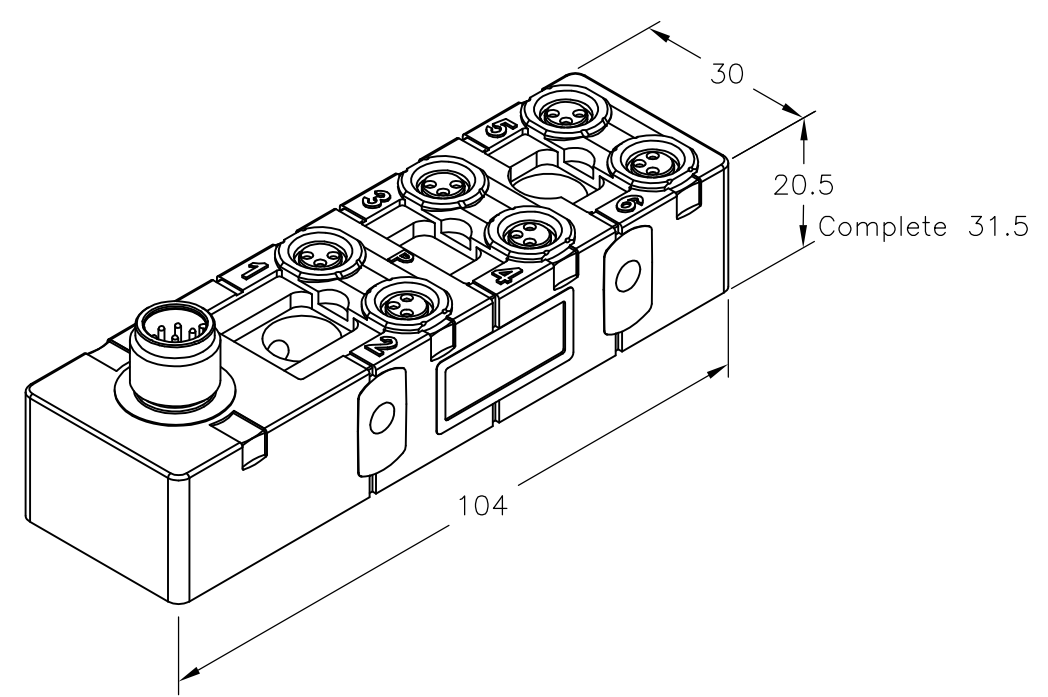
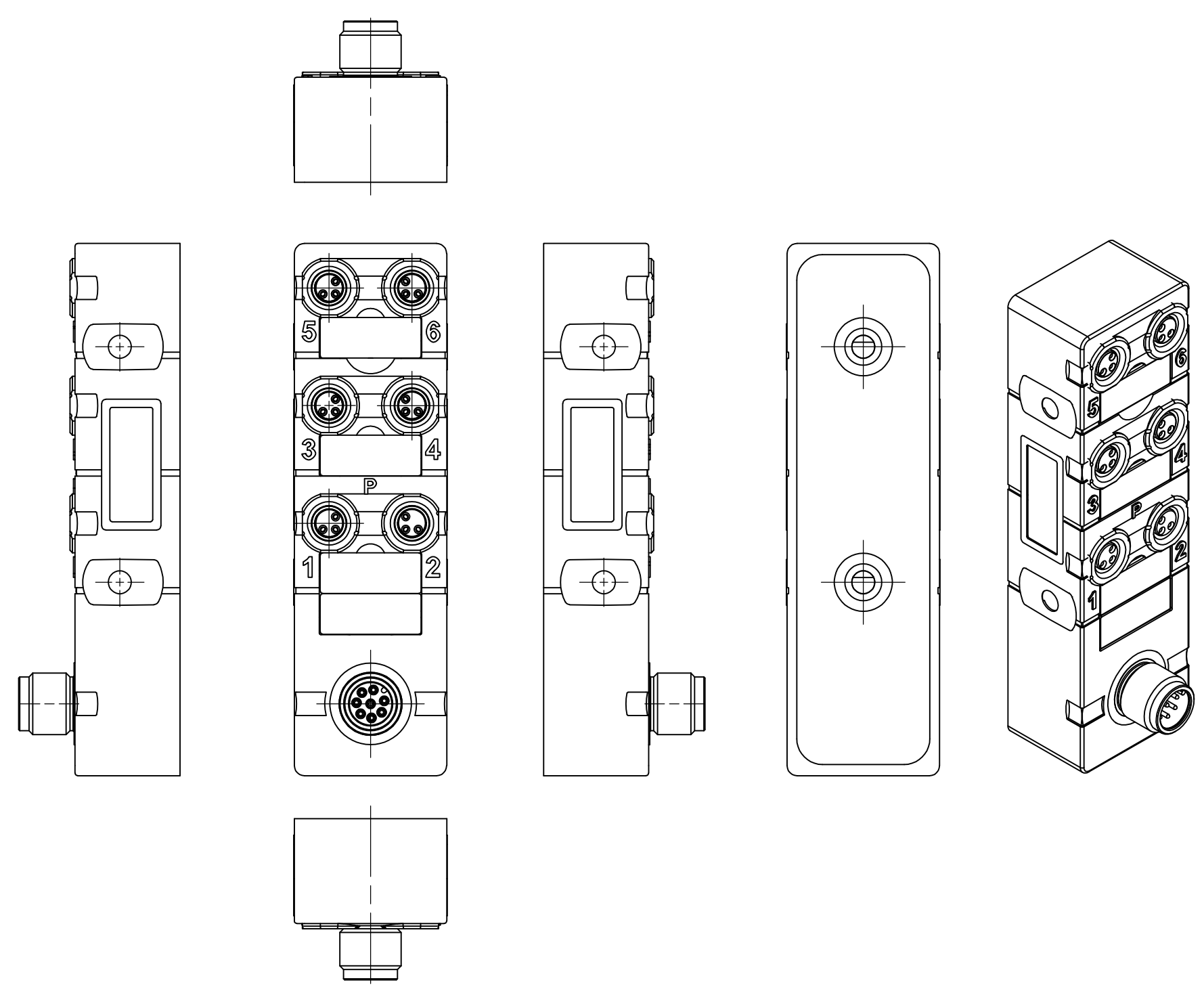


THIS DRAWING IS UNPUBLISHED.      RELEASED FOR PUBLICATION  
 © COPYRIGHT - By -      ALL RIGHTS RESERVED.

LOC	DIST	REVISIONS			
P	LTR	DESCRIPTION	DATE	DWN	APVD
H	-	A	INITIAL RELEASE	14JAN2014	GSK BvH



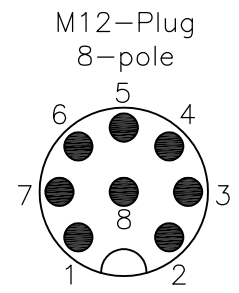
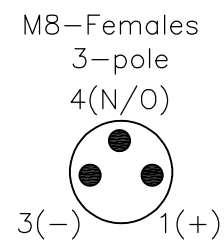
Inline or side mounting	2273140-1
DESCRIPTION	TE PN

THIS DRAWING IS A CONTROLLED DOCUMENT.		DWN 14JAN2014 SATHISH KUMAR.G	<b>STE</b> TE Connectivity		
DIMENSIONS: mm		CHK 14JAN2014 B.VELDHOVEN			
TOLERANCES UNLESS OTHERWISE SPECIFIED:		APVD 14JAN2014 A.VAN ZANDVOORT	NAME DISTR BOX M8 3POS 6WAY M12/8P CONN		
0 PLC ± -		PRODUCT SPEC	-		
1 PLC ± -		APPLICATION SPEC	-		
2 PLC ± -		WEIGHT	SIZE	CAGE CODE	DRAWING NO
3 PLC ± -		-	A3	00779	C-2273140
4 PLC ± -			RESTRICTED TO		
ANGLES ± -		-			
MATERIAL		CUSTOMER DRAWING			
FINISH		SCALE NTS SHEET 1 OF 2 REV A			

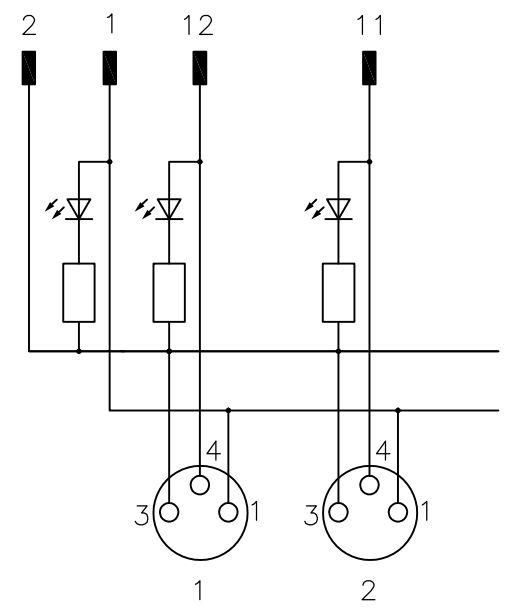
THIS DRAWING IS UNPUBLISHED. RELEASED FOR PUBLICATION  
 © COPYRIGHT - By - ALL RIGHTS RESERVED.

LOC	DIST	REVISIONS			
P	LTR	DESCRIPTION	DATE	DWN	APVD
H	-	SEE SHEET 1	-	-	-

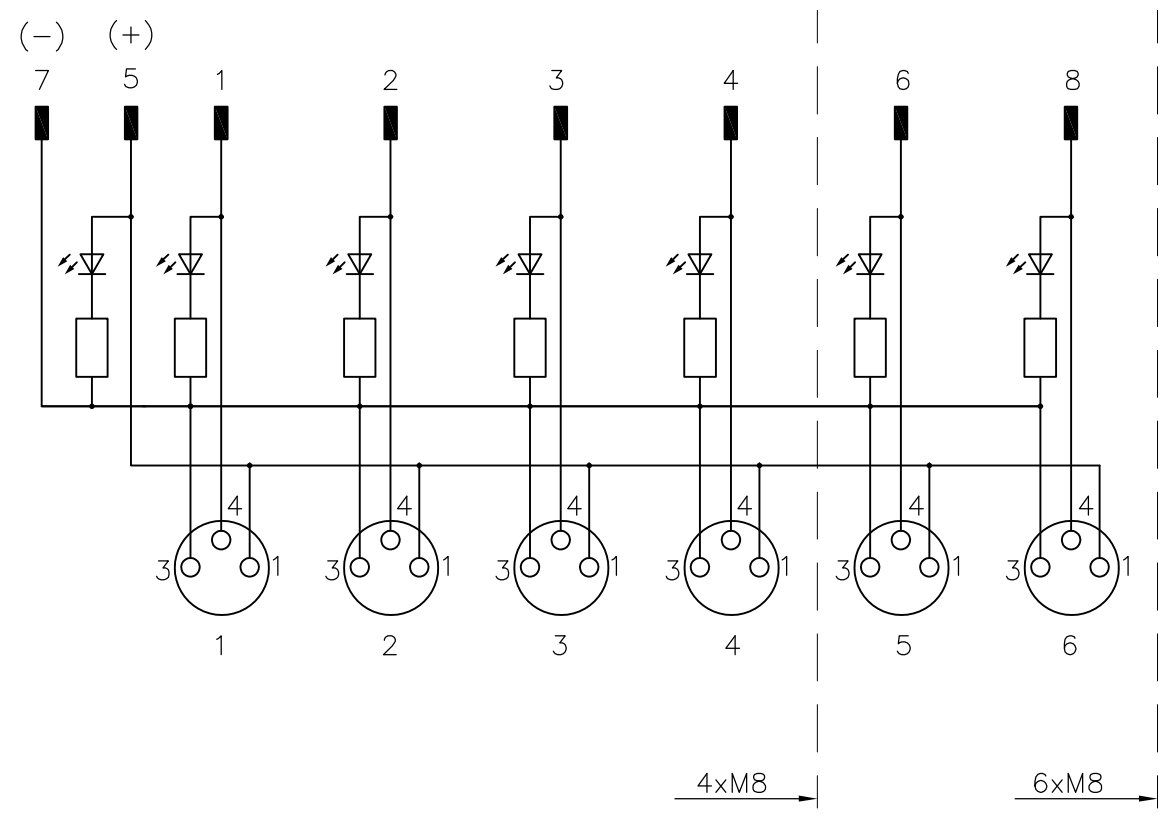
### Contact Layout



### Circuit diagram



for 1 Signal per port



THIS DRAWING IS A CONTROLLED DOCUMENT.		DWN 14JAN2014 SATHISH KUMAR.G	TE Connectivity		
DIMENSIONS: mm		CHK 14JAN2014 B.VELDHOVEN			
TOLERANCES UNLESS OTHERWISE SPECIFIED:		APVD 14JAN2014 A.VAN ZANDVOORT	PRODUCT SPEC		
		0 PLC ± -	APPLICATION SPEC		
MATERIAL		1 PLC ± -	SIZE		
FINISH		2 PLC ± -	CAGE CODE	DRAWING NO	RESTRICTED TO
		3 PLC ± -	A3 00779 C-2273140		-
		4 PLC ± -	WEIGHT		
		ANGLES ± -	CUSTOMER DRAWING		
			SCALE NTS		SHEET 2 OF 2
			REV A		