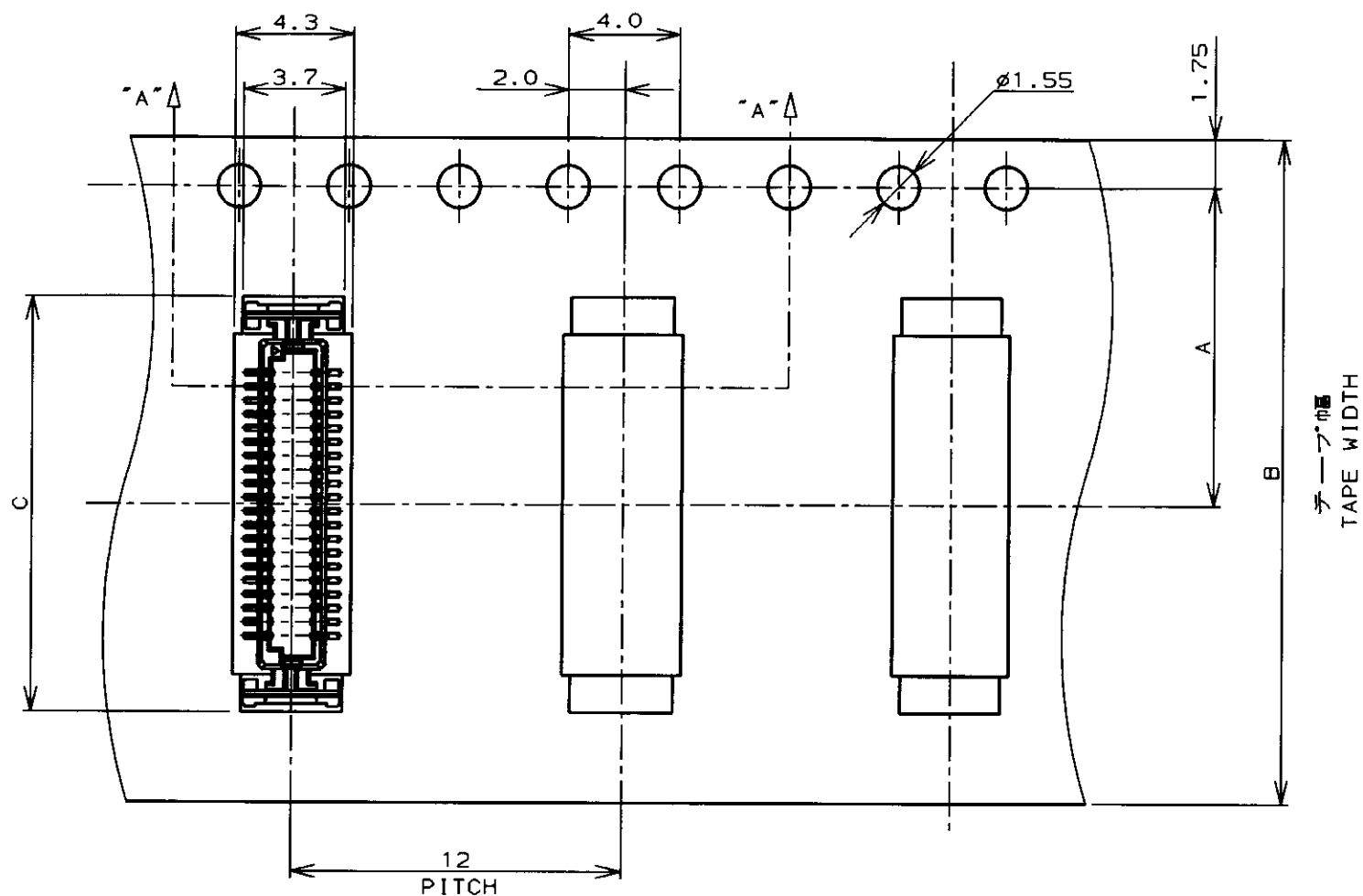
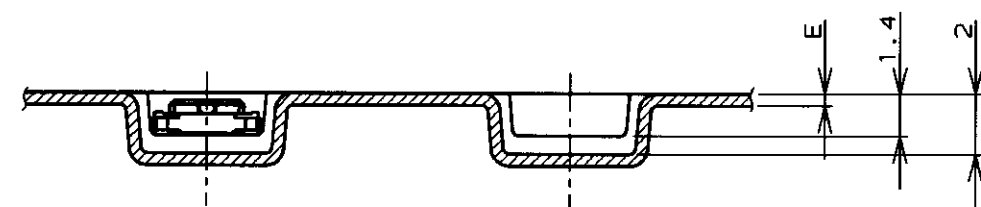
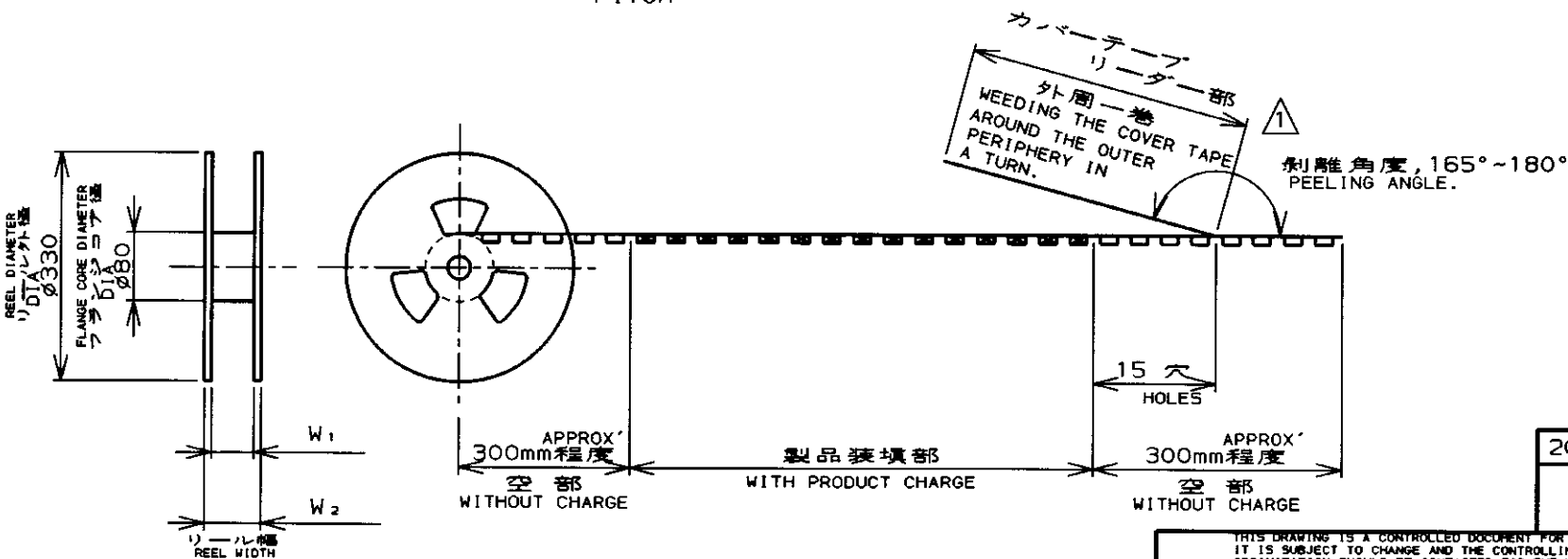


P	LTR	DESCRIPTION	ECN	DATE	DWN	APVD
	O	RELEASED	FJ00-5477-96	12/5 '96	S.K	S.K
	A	REVISED	FJ00-0116-97	1/27 '96	S.K	KA



テープ幅
TAPE WIDTH

TOP OF REEL
引出し方向



SECT "A"- "A"

20.4	16.4	0.4	9.7	16	7.5	1500	20	2-353688-0	2-353689-0
W2	W1	E	C	B	A	数量 (ヶ) QTY/REEL	極数 Pos.	コネクタ型番 (シバラ状) CONNECTOR P/N (L/P)	リール巻 コネクタ型番 TAPING P/M

THIS DRAWING IS A CONTROLLED DOCUMENT FOR AMP INCORPORATED. IT IS SUBJECT TO CHANGE AND THE CONTROLLING ENGINEERING ORGANIZATION SHOULD BE CONTACTED FOR THE LATEST REVISION.

DWN 12/5 '96
S.KAJINUMA
CHK 12/5 '96
K.ASAKAWA
APVD 1/27 '97
S.KAJINUMA

AMP 日本エー・エム・ピー株式会社
Kawasaki, Japan

NAME 名称
ON TAPING (EMBOSS)
0.5mm PITCH FS CONN. TAB ASSEMBLY
WITH KEY WITHOUT BOSS & POLYIMIDE FILM

DIMENSIONS: 単位: 概 mm
TOLERANCES UNLESS OTHERWISE SPECIFIED
一般公差
10μ ±0.2
30μ ±0.25
100μ ±0.3
ANGLE: ±3°

MATERIAL 材料
FINISH 仕上

PRODUCT SPEC 製品規格
APPLICATION SPEC 取付適用規格
WEIGHT 重量

SIZE A3
CAGE CODE 00779
DRAWING NO. 番号
C-353689

CUSTOMER DRAWING
SCALE 尺度
SHEET 1 OF 2 REV A

THIS DRAWING IS UNPUBLISHED.

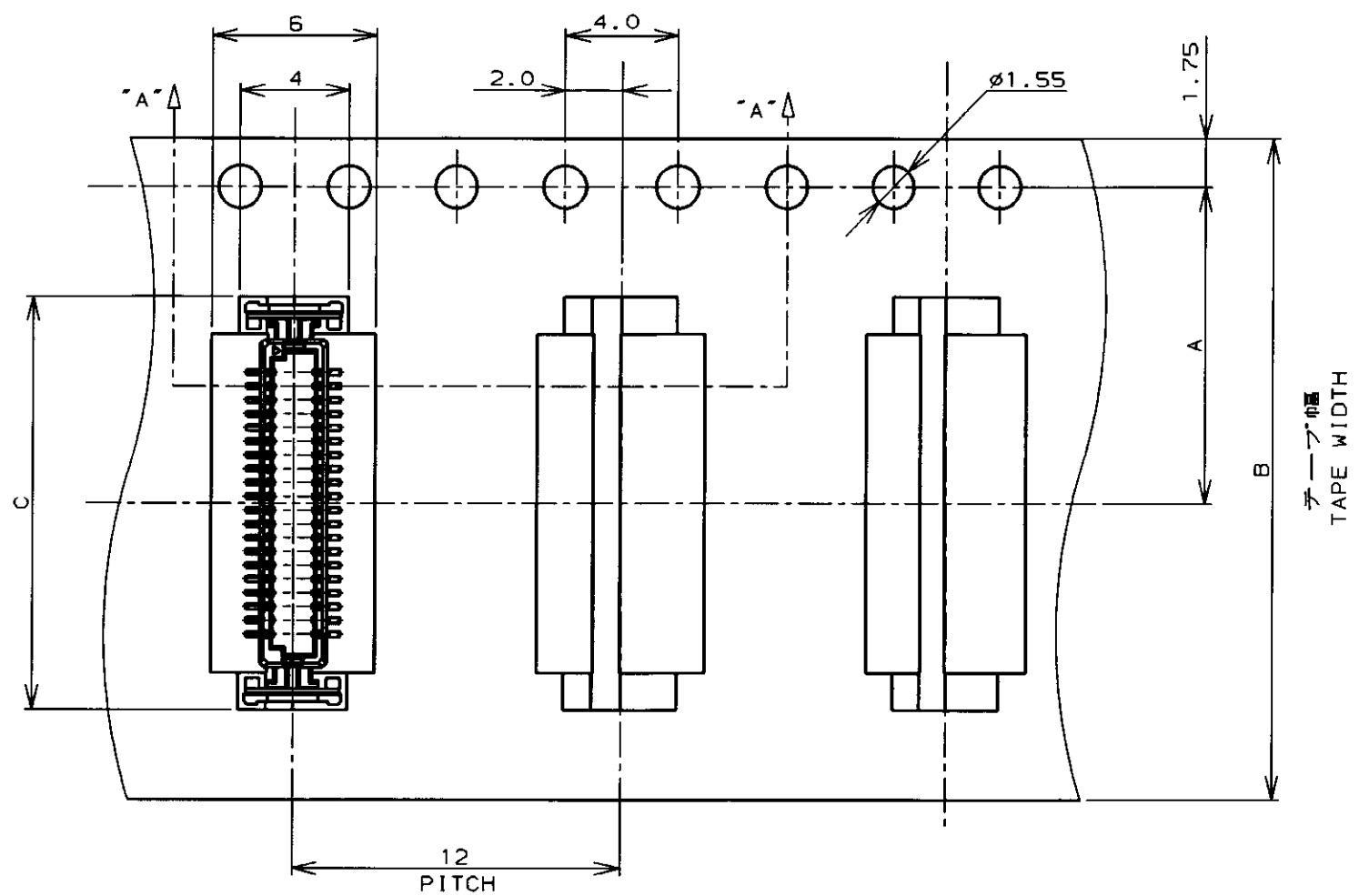
RELEASED FOR PUBLICATION

.19

© COPYRIGHT 19

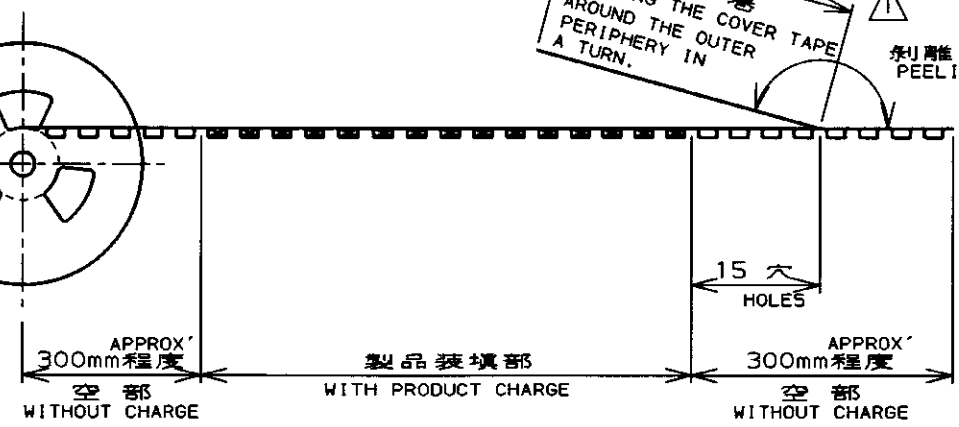
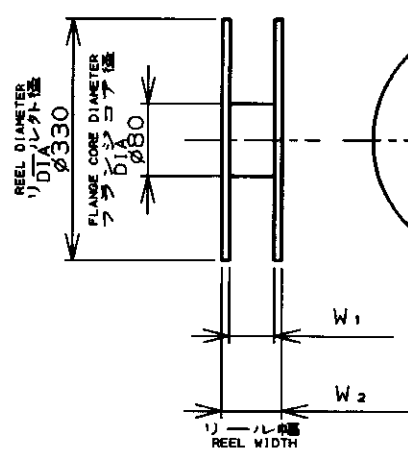
BY AMP INCORPORATED. ALL RIGHTS RESERVED.

LOC	DIST	REVISIONS						
		P	LTR	DESCRIPTION	ECN	DATE	DWN	APVD
J				SEE SHEET 1 OF 2				

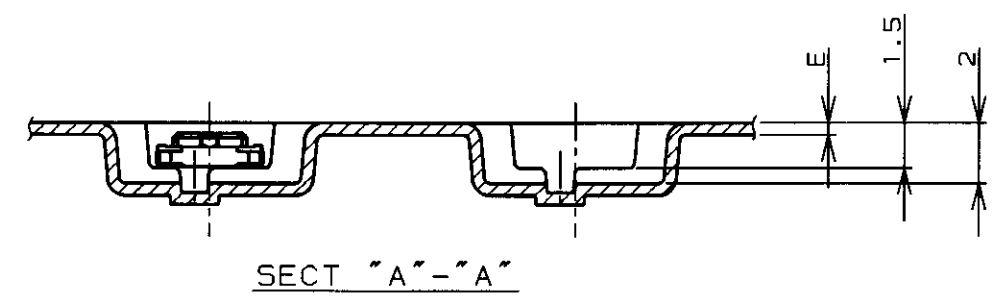


テープ幅
TAPE WIDTH

TOP OF REEL
引出し方向
→



カバーテープ
リーダー部
外周一巻
WEEDING THE COVER TAPE
AROUND THE OUTER
PERIPHERY IN
A TURN.
剥離角度, 165°~180°
PEELING ANGLE.



28.4	24.4	0.4	15.0	24	11.5	1500	40	4-353688-0	4-353689-0
28.4	24.4	0.4	12.5	24	11.5	1500	30	3-353688-0	3-353689-0
W2	W1	E	C	B	A	数量 (ヶ) QTY/REEL	極数 Pos.	コネクタ型番 (シバラ状) CONNECTOR P/N (L/P)	リール巻 コネクタ型番 TAPING P/M

THIS DRAWING IS A CONTROLLED DOCUMENT FOR AMP INCORPORATED. IT IS SUBJECT TO CHANGE AND THE CONTROLLING ENGINEERING ORGANIZATION SHOULD BE CONTACTED FOR THE LATEST REVISION.

DWN: S. Kajinuma 1/27/97
CHK: K. Asahuma 1/27/97
APVD: S. Kubonchi 1/27/97

AMP 日本エー・एम・ピー株式会社
Kawasaki, Japan

ON TAPING (EMBOSS)
0.5mm PITCH FS CONN. TAB ASSEMBLY
WITH KEY WITHOUT BOSS & POLYIMIDE FILM

DIMENSIONS: 単位: 概 mm
TOLERANCES UNLESS OTHERWISE SPECIFIED
一般公差: 10% ±0.2, 30% ±0.25, 100% ±0.3, ANGLE: ±3°

MATERIAL: 材料 ---
FINISH: 仕上 ---

PRODUCT SPEC: 製品規格 ---
APPLICATION SPEC: 取付適用規格 ---
WEIGHT: ---

CUSTOMER DRAWING

SIZE: A3
CAGE CODE: 00779
DRAWING NO: 353689
SCALE: 尺度 ---
SHEET: 2 OF 2
REV: A